



AIR-COOLED SCREW LIQUID CHILLERS

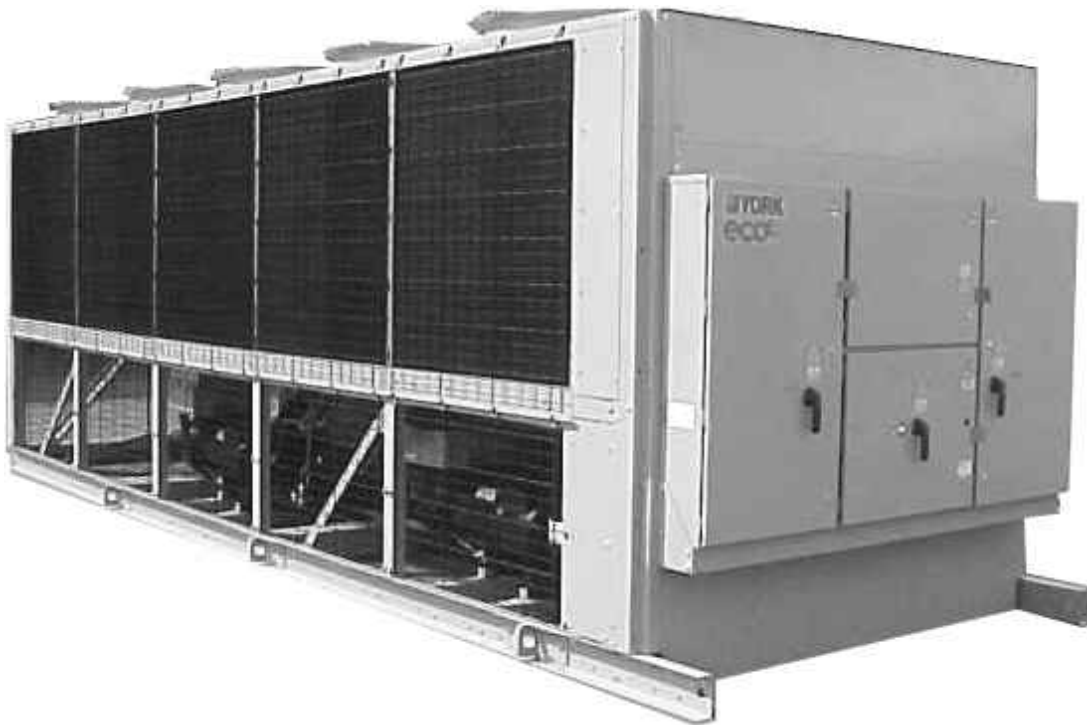
INSTALLATION, OPERATION & MAINTENANCE

New Release

Form 201.19-NM1 (204)

035-20319-000

YCAS AIR-COOLED LIQUID CHILLERS YCAS0130 THROUGH YCAS0230 STYLE G



028971-G

60 Hz

YCAS 2 SYSTEM EPROM

031-01798-001

(STANDARD, BRINE & METRIC MODELS COMBINED)



CHANGEABILITY OF THIS DOCUMENT

In complying with YORK's policy for continuous product improvement, the information contained in this document is subject to change without notice. Literature updates that may occur will be printed on the Revision Sheet and included with the Installation, Operation & Maintenance (IOM) man, which is provided with new equipment. If not found with the manual, the current Revision Sheet containing any applicable revisions, and the manual, can be found on the internet at www.york.com. The Renewal Parts (RP) manual and revision sheet for this equipment can also be found at this internet site.

It is the responsibility of installing/operating/service personnel to determine prior to working on the equipment, that they have all of the applicable literature, that it is current and that the equipment has not been modified since manufacture.

The diagram shows a revision sheet form for YORK Air-Cooled Screw Liquid Chillers. The form includes a header with the YORK logo and the title 'AIR-COOLED SCREW LIQUID CHILLERS REVISION SHEET TO IOM'. Below the header is a table with three columns: 'IOM REVISION SHEET', 'Rev Level: New', and 'Form 201.19-NM1REV'. The main body of the form contains the title 'YCAS AIR-COOLED LIQUID CHILLERS YCAS0130 THROUGH YCAS0230 STYLE G' and a table with three columns: 'REV LEVEL', 'DATE', and 'DESCRIPTION/REFERENCE'. The table contains one row with the values 'A', '00/00/0', and 'No changes to IOM 201.19-NM1 (903) to date'. At the bottom of the form, there is a part number '035-XXXXX-XXX' and the website 'www.york.com'. Arrows point from explanatory text on the left to these specific parts of the form.

YORK		AIR-COOLED SCREW LIQUID CHILLERS REVISION SHEET TO IOM	
IOM REVISION SHEET	Rev Level: New	Form 201.19-NM1REV	
<small>File with Form 201.19-NM1</small>			
YCAS AIR-COOLED LIQUID CHILLERS YCAS0130 THROUGH YCAS0230 STYLE G			
<u>REV LEVEL</u>	<u>DATE</u>	<u>DESCRIPTION/REFERENCE</u>	
A	00/00/0	No changes to IOM 201.19-NM1 (903) to date	
035-XXXXX-XXX			
www.york.com			

Revision Sheets are available for the IOM and Renewal Parts

Each update will be assigned a sequential Rev. Level with the date it was introduced

The Description/Change will explain the change. If necessary it will refer the reader to an additional supplement or bulletin.

YORK part number for the Revision Sheet to aid manufacturing and distribution

Web address for the Revision Sheet

IMPORTANT!

READ BEFORE PROCEEDING!

GENERAL SAFETY GUIDELINES

This equipment is a relatively complicated apparatus. During installation, operation, maintenance or service, individuals may be exposed to certain components or conditions including, but not limited to: refrigerants, oils, materials under pressure, rotating components, and both high and low voltage. Each of these items has the potential, if misused or handled improperly, to cause bodily injury or death. It is the obligation and responsibility of operating/service personnel to identify and recognize these inherent hazards, protect themselves, and proceed safely in completing their tasks. Failure to comply with any of these requirements could result in serious damage to the equipment and the property in

which it is situated, as well as severe personal injury or death to themselves and people at the site.

This document is intended for use by owner-authorized operating/service personnel. It is expected that this individual possesses independent training that will enable them to perform their assigned tasks properly and safely. It is essential that, prior to performing any task on this equipment, this individual shall have read and understood this document and any referenced materials. This individual shall also be familiar with and comply with all applicable governmental standards and regulations pertaining to the task in question.

SAFETY SYMBOLS

The following symbols are used in this document to alert the reader to areas of potential hazard:



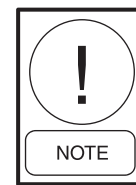
DANGER indicates an imminently hazardous situation which, if not avoided, will result in death or serious injury.



CAUTION identifies a hazard which could lead to damage to the machine, damage to other equipment and/or environmental pollution. Usually an instruction will be given, together with a brief explanation.



WARNING indicates a potentially hazardous situation which, if not avoided, could result in death or serious injury.



NOTE is used to highlight additional information which may be helpful to you.



External wiring, unless specified as an optional connection in the manufacturer's product line, is NOT to be connected inside the micro panel cabinet. Devices such as relays, switches, transducers and controls may NOT be installed inside the micro panel. NO external wiring is allowed to be run through the micro panel. All wiring must be in accordance with YORK's published specifications and must be performed ONLY by qualified YORK personnel. YORK will not be responsible for damages/problems resulting from improper connections to the controls or application of improper control signals. Failure to follow this will void the manufacturer's warranty and cause serious damage to property or injury to persons.

TABLE OF CONTENTS

SECTION 1 - GENERAL CHILLER

INFORMATION & SAFETY

INTRODUCTION	9
WARRANTY	9
SAFETY	9
Standards for Safety	9
RESPONSIBILITY FOR SAFETY	10
ABOUT THIS MANUAL	10
MISUSE OF EQUIPMENT	10
Suitability for Application	10
Structural Support	10
Mechanical Strength	10
General Access	10
Pressure Systems	10
Electrical	10
Rotating Parts	11
Sharp Edges	11
Refrigerants and Oils	11
High Temperature and Pressure Cleaning	11
Emergency Shutdown	11

SECTION 2 - PRODUCT DESCRIPTION

INTRODUCTION	12
General Description	12
Compressor	12
Evaporator	13
Condenser	13
Economizer	14
Oil Separator/System	14
Oil Cooling	14
Capacity Control	14
Power and Control Panel	14
Each power compartment contains:	15
The control section contains:	15
The options sections contain:	15
Microprocessor Controls	15
Motor Current Protection	15
Motor Protection Modules (2ACE)	16
Current Overload	16
Thermal Overload	17
Current Imbalance (Loaded & Unloaded)	17
Loss of Phase	17
Improper Phase Sequence	17
MOTOR STARTING	22
KEYPAD CONTROLS	22
Display	22
Program	23
ACCESSORIES AND OPTIONS	23
Multiple Point Power Connection (Standard)	23

Single-Point Power Connection with Individual Circuit Protection	23
Single-Point Power Connection with Combined Circuit Protection	23
Single-Point Power Connection without Circuit Protection	23
Control Circuit Terminal Block	23
Building Automation System (BAS) Interface	23
Condenser Coil Protection	23
DX EVAPORATOR AND STARTER OPTIONS	24
UNIT ENCLOSURES OPTIONS	24
FAN OPTIONS	24
SOUND REDUCTION OPTIONS	24
VIBRATION ISOLATION	24
UNIT NOMENCLATURE	25
NAMEPLATE ENGINEERING DATA	25
PRODUCT IDENTIFICATION NUMBER (PIN)	26

SECTION 3 - HANDLING AND STORAGE

DELIVERY AND STORAGE	27
INSPECTION	27
MOVING THE CHILLER	27
Lifting Weights	27
UNIT RIGGING	28

SECTION 4 - INSTALLATION

LOCATION REQUIREMENTS	29
OUTDOOR INSTALLATIONS	29
INDOOR INSTALLATIONS	29
LOCATION CLEARANCES	29
COMPRESSOR FEET BOLT REMOVAL	30
VIBRATION ISOLATORS	31
Installation	31
SHIPPING BRACES	31
PIPEWORK CONNECTION	31
General Requirements	31
WATER TREATMENT	32
PIPEWORK ARRANGEMENT	33
CONNECTION TYPES & SIZES	33
EVAPORATOR CONNECTIONS	33
Optional Flanges	33
REFRIGERANT RELIEF VALVE PIPING	33
DUCTWORK CONNECTION	33
General Requirements	33
ELECTRICAL CONNECTION	34
POWER WIRING	34
STANDARD UNITS WITH MULTI POINT POWER SUPPLY WIRING	34

TABLE OF CONTENTS (CONT'D)

Units with Single-Point Power Supply Wiring 34	Suction Superheat..... 44
115VAC CONTROL SUPPLY TRANSFORMER 34	Expansion Valve 44
Remote Emergency Stop Device..... 35	Economizer Superheat 44
CONTROL PANEL WIRING..... 35	Subcooling..... 44
VOLTS FREE CONTACTS 35	General Operation 44
Chilled Liquid Pump Starter 35	
Run Contact..... 35	
Alarm Contacts..... 35	
SYSTEM INPUTS..... 35	
Flow Switch..... 35	
Remote Run / Stop 35	
Remote Print..... 35	
Remote Setpoint Offset – Temperature 35	
Remote Setpoint Offset – Current 35	
SECTION 5 - COMMISSIONING	
PREPARATION..... 42	
PREPARATION – POWER OFF 42	
Inspection 42	
Refrigerant Charge 42	
Valves 42	
Compressor Oil 42	
Fans 42	
Isolation/Protection 42	
Control Panel..... 42	
Power Connections..... 42	
Grounding..... 42	
Overloads 42	
Supply Voltage 42	
Control Transformer..... 42	
Switch Settings..... 43	
Crankcase Heaters 43	
Water System..... 43	
Flow Switch..... 43	
Temperature Sensor(s)..... 43	
Control Supply 43	
Programmed Options..... 43	
Programmed Settings 43	
Date and Time 43	
Start/Stop Schedule 43	
Setpoint and Remote Offset 43	
FIRST TIME START-UP 44	
Interlocks..... 44	
System Switches..... 44	
Start-up 44	
Oil Pressure 44	
Refrigerant Flow 44	
Fan Rotation 44	
	SECTION 6 - OPERATION
	GENERAL DESCRIPTION 46
	START-UP 46
	NORMAL RUNNING AND CYCLING..... 46
	SHUTDOWN..... 46
	SECTION 7 - TECHNICAL DATA
	FLOW RATE AND PRESSURE DROP CHARTS 48
	GLYCOL CORRECTION FACTORS..... 48
	TEMPERATURE AND FLOWS..... 49
	PHYSICAL DATA..... 51
	OPERATING LIMITATIONS AND SOUND POWER DATA 53
	Electrical Data..... 54
	Electrical Notes 62
	WIRING DIAGRAM..... 64
	ELEMENTARY DIAGRAM 66
	CONNECTION DIAGRAM (SYSTEM WIRING) 77
	COMPRESSOR TERMINAL BOX 78
	DIMENSIONS–YCAS0130-YCAS0180 (ENGLISH) . 82
	DIMENSIONS–YCAS0130-YCAS0180 (SI) 84
	DIMENSIONS–YCAS0200-YCAS0230 (ENGLISH) . 86
	DIMENSIONS–YCAS0200-YCAS0230 (SI) 88
	TECHNICAL DATA..... 90
	WEIGHT DISTRIBUTION AND ISOLATOR MOUNTING POSITIONS 91
	INSTALLATION INSTRUCTIONS FOR VMC SERIES AWR/AWMR AND CP RESTRAINED MOUNTINGS..... 107
	COMPRESSOR COMPONENTS 111
	UNIT CHECKS (NO POWER)..... 117
	SYSTEM STARTUP CHECKLIST..... 117
	PANEL CHECKS 118
	PROGRAMMED VALUES..... 118
	INITIAL START-UP 119
	CHECKING SUBCOOLING AND SUPERHEAT 119
	CHECKING ECONOMIZER SUPERHEAT 120
	LEAK CHECKING 120

TABLE OF CONTENTS (CONT'D)

SECTION 8 - MICRO PANEL CONTENTS

CHILLERLER CONTROL PANEL

PROGRAMMING AND DATA ACCESS KEYS	122
DISPLAY AND STATUS INFORMATION KEYS	122
ON / OFF ROCKER SWITCH.....	122
PROGRAM & SETUP KEYS	122

1. INTRODUCTION & PHYSICAL DESCRIPTION 123

1.1 General	123
1.2 Keypad & Display	123
1.3 Unit (chiller) ON/OFF Switch.....	124
1.4 Microprocessor Board.....	124
1.5 Ancillary Circuit Boards.....	124
1.6 Circuit Breakers	125
1.8 Transformers.....	125
1.9 Motor Protection Modules	125
1.10 EMS/BAS Controls	128
1.11 Microprocessor Board Layout.....	130
1.12 Logic Section Layout	131
1.13 Anti-Recycle Timer	132
1.14 Anti-Coincidence Timer	132
1.15 Evaporator Pump Control.....	132
1.16 Compressor Heater Control.....	132
1.17 Evaporator Heater Control	132
1.18 Pumpdown (EEV) Control	132
1.19 Alarms	133
1.20 Run Status (chiller)	133
1.21 Lead / Lag Compressor Selection	133
1.22 Economizer Solenoid Control	134

2. STATUS KEY: GENERAL STATUS MESSAGES & FAULT WARNINGS..... 136

2.1 General	136
2.2 General Status Messages	136
2.3 Unit Warnings.....	137
2.4 Anticipation Control Status	138
2.5 Unit Fault Status Messages	139
2.6 System Fault (SAFETY) status	140
2.7 Printout on Fault Shutdown.....	143

3. DISPLAY KEYS & OPTION SWITCHES 144 |

3.1 General	144
3.2 Chilled Liquid Temps key	144
3.3 System # Data Keys	145
3.4 Ambient Temp Key	145
3.5 % Motor Current key.....	146

3.6 Operating Hrs / Start Counter key	146
3.7 Options key &	146
3.8 Funtion Key.....	148

4. PRINT KEYS..... 149

4.1 General	149
4.2 Oper Data Key.....	149
4.3 Operating Data – Software Version.....	149
4.4 Operating Data – Remote Printout	151
4.5 History Key	152
4.6 Fault History Data – Local Display Messages	152
4.7 Fault History Data – Remote Printout.....	156

5. ENTRY KEYS 157 |

5.1 General	157
5.2 Numerical Keypad.....	157
5.3 Enter Key.....	157
5.4 Cancel Key	157
5.5 ↑↓ KEYS	157

6. SETPOINTS KEYS & CHILLED LIQUID

CONTROL.....	158
6.1 General	158
6.2 Chilled Liquid Temperature Control	158
6.3 Local Cooling Setpoints Key	162
6.4 Remote cooling setpoints Key.....	162

7. CLOCK KEYS 163 |

7.1 GENERAL	163
7.2 SET TIME KEY	163
7.3 set schedule / holiday key.....	164
7.4 Manual Override key.....	165

8. PROGRAM KEY..... 166

8.1 General	166
8.2 Program Key – User Programmable Value ..	166
8.3 Programming "Default" Values	170
8.4 Electronic Expansion Valve.....	172
8.5 EEV Operation	173
8.6 EEV Programming	175
8.7 EEV Troubleshooting	176
8.8 Condenser Fan Control.....	177
8.9 Service Mode: Unit Setup	179
8.10 Sensor Calibration Charts.....	185
8.11 Control Inputs/Outputs	186
8.12 ISN Control	189

TABLE OF CONTENTS (CONT'D)

SECTION 9 - MAINTENANCE

GENERAL REQUIREMENTS	194
CONDENSER COILS	194
Chiller / Compressor Operating Log	195
Scheduled Maintenance	195
ON-BOARD BATTERY BACK-UP	195
OVERALL UNIT INSPECTION	195
COMPRESSOR UNIT OPERATION	196
GENERAL PERIODIC MAINTENANCE CHECKS	198
STANDARD UNITS	198

SECTION 10 - SPARE PARTS

Recommended Spares	199
Recommended Compressor Oils	199

SECTION 11 - TROUBLE SHOOTING

TROUBLESHOOTING GUIDE	200
LIMITED WARRANTY YORK AMERICAS ENGINEERED SYSTEMS	202
WARRANTY ON NEW EQUIPMENT	202
WARRANTY ON RECONDITIONED OR REPLACEMENT MATERIALS	202
TEMPERATURE CONVERSION CHART	203
TEMPERATURE CONVERSION CHART ACTUAL TEMPERATURES	203
TEMPERATURE CONVERSION CHART DIFFERENTIAL TEMPERATURES	203
PRESSURE CONVERSION CHART - GAUGE OR DIFFERENTIAL	203

LIST OF TABLES

TABLE 1 – Motor Protector Dip Switch Setting	18	TABLE 6 – YCAS Style G, Across the Line Start	180
TABLE 2 – Programmable Values Table (minimum/maximum)	175	TABLE 7 – YCAS Style G, Wye Delta Start	182
TABLE 3 – Condenser Fan Control and Fan Contactor Data for DXST Units with 4 Fans/System	178	TABLE 8 - Digital Outputs	186
TABLE 4 – Condenser Fan Control and Fan Contactor Data For DXST Units With 5 Fans/System.	178	TABLE 9 - Analog Inputs	187
TABLE 5 – Service Mode Programmable Values	179	TABLE 10 - Digital Inputs	188
		TABLE 11 - Analog Outputs	188
		TABLE 12 – ISN Received Data	189
		TABLE 13 – ISN Transmitted Data	189
		TABLE 14 – ISN Operational and Fault Codes	192

LIST OF FIGURES

FIG. 1 – COMPONENT LOCATIONS	12	FIG. 23 – MODEL YCAS0130 - 0180	
FIG. 2 – SCREW COMPRESSOR	13	DIMENSIONS (ENGLISH)	82
FIG. 3 – UNIT RIGGING	28	FIG. 25 – MODEL YCAS0200 - YCAS0230	
FIG. 4 – LIFTING LUGS	28	DIMENSIONS (ENGLISH)	86
FIG. 5 – COMPRESSOR MOUNTING	30	FIG. 26 – MODEL YCAS0200 - YCAS0230	
FIG. 7 – VICTAULIC GROOVE	33	DIMENSIONS (SI)	88
FIG. 8 – FLANGE ATTACHMENTS	33	FIG. 27 – CLEARANCES	90
FIG. 9 – POWER PANEL SECTION	36	FIG. 28 – CP-2-XX	92
FIG. 10 – OPTION PANEL SECTION	37	FIG. 29 – ISOLATOR DETAILS	93
FIG. 11 – LOGIC SECTION LAYOUT	38	FIG. 30 – CP-2-XX	96
FIG. 12 – LOGIC SECTION LAYOUT WITH		FIG. 31 – ISOLATOR DETAILS	97
CONTROL PANEL LAYOUT	39	FIG. 32 – CP-2-XX	100
FIG. 13 – CUSTOMER CONNECTIONS	40	FIG. 33 – ISOLATOR DETAILS	101
FIG. 14 – CUSTOMER CONNECTIONS	41	FIG. 34 – CP-2-XX	104
FIG. 16 – GLYCOL CORRECTION FACTORS	48	FIG. 35 – ISOLATOR DETAILS	105
FIG. 15 – FLOW RATE AND PRESSURE DROP		FIG. 36 – REFRIGERANT FLOW DIAGRAM	108
CHARTS	48	FIG. 37 – PROCESS AND INSTRUMENTATION	
FIG. 17 – WIRING DIAGRAM –		DIAGRAM	109
ACROSS-THE-LINE START	64	FIG. 38 – COMPONENT LOCATIONS	110
FIG. 18 – WIRING DIAGRAM –		FIG. 39 – COMPRESSOR COMPONENTS	111
ACROSS-THE-LINE START	65	FIG. 40 – COMPRESSOR COMPONENTS	112
FIG. 19 – ELEMENTARY DIAGRAM –		FIG. 41 – COMPRESSOR COMPONENTS	113
ACROSS-THE-LINE START	66	FIG. 42 – COMPRESSOR COMPONENTS	114
FIG. 20 – WIRING DIAGRAM –		FIG. 43 – COMPRESSOR COMPONENTS	115
WYE-DELTA START	68	FIG. 44 – COMPRESSOR COMPONENTS	116
FIG. 21 – ELEMENTARY DIAGRAM –		FIG. 45 – MOTOR PROTECTION MODULE	127
WYE-DELTA START	69	FIG. 46 – COMPONENT LAYOUT	130
FIG. 22 – ELEMENTARY DIAGRAM –		FIG. 47 – LOGIC SECTION LAYOUT	131
WYE-DELTA START	70	FIG. 47A – PROCESS AND INSTRUMENTATION	
FIG. 22A – POWER PANEL (SYSTEM #1)		DIAGRAM	135
COMPONENT LOCATIONS	72	FIG. 48 – SUCTION PRESSURE CUTOUT	141
FIG. 22B – CONTROL PANEL COMPONENT		FIG. 49 – ENLARGED PHOTOGRAPH OF DIP	
LOCATION	73	SWITCHES ON MICROPROCESSOR	
FIG. 22C – POWER PANEL (SYSTEM #2)		BOARD	147
COMPONENT LOCATIONS	74	FIG. 50 – ELECTRONIC EXPANSION VALVE	172
		FIG. 51 – CONDENSER FAN LAYOUT FOR	
		DXST 2 COMPRESSOR UNITS	177

GENERAL CHILLER INFORMATION & SAFETY

INTRODUCTION

YORK YCAS chillers are manufactured to the highest design and construction standards to ensure high performance, reliability and adaptability to all types of air conditioning installations.

The unit is intended for cooling water or glycol solutions and is not suitable for purposes other than those specified in this manual.

This manual and the Microprocessor Operating Instructions contain all the information required for correct installation and commissioning of the unit, together with operating and maintenance instructions. The manuals should be read thoroughly before attempting to operate or service the unit.

All procedures detailed in the manuals, including installation, commissioning and maintenance tasks must only be performed by suitably trained and qualified personnel.

The manufacturer will not be liable for any injury or damage caused by incorrect installation, commissioning, operation or maintenance resulting from a failure to follow the procedures and instructions detailed in the manuals.

WARRANTY

York International warrants all equipment and materials against defects in workmanship and materials for a period of eighteen months from delivery unless extended warranty has been agreed upon as part of the contract.

The warranty is limited to parts only replacement and shipping of any faulty part, or sub-assembly which has failed due to poor quality or manufacturing errors. All claims must be supported by evidence that the failure has occurred within the warranty period, and that the unit has been operated within the designed parameters specified.

All warranty claims must specify the unit model, serial number, order number. These details are printed on the unit identification plate.

The unit warranty will be void if any modification to the unit is carried out without prior written approval from York International.

YORK INTERNATIONAL

For warranty purposes, the following conditions must be satisfied:

- The initial start of the unit should be carried out by trained personnel from an Authorized YORK Service Center. See Commissioning, page 42.
- Only genuine YORK approved spare parts, oils and refrigerants must be used. Recommendations on spare parts can be found on page 199.
- All the scheduled maintenance operations detailed in this manual must be performed at the specified times by suitably trained and qualified personnel. See Maintenance Section, page 194.
- Failure to satisfy any of these conditions will automatically void the warranty. See Warranty Policy, page 202.

SAFETY

Standards for Safety

YCAS chillers are designed and built within an ISO 9002 accredited design and manufacturing organization. The chillers comply with the applicable sections of the following Standards and Codes:

- ANSI/ASHRAE Standard 15, Safety Code for Mechanical Refrigeration
- ANSI/NFPA Standard 70, National Electrical Code (N.E.C.)
- ASME Boiler and Pressure Vessel Code, Section VIII Division 1
- ARI Standard 550/590-98, Centrifugal and Rotary Screw Water Chilling Packages

In addition, the chillers conform to Underwriters Laboratories (U.L.) for construction of chillers and provide U.L./cU.L. listing label.

RESPONSIBILITY FOR SAFETY

Every care has been taken in the design and manufacture of the unit to ensure compliance with the safety requirements listed above. However, the individual operating or working on any machinery is primarily responsible for:

- Personal safety, safety of other personnel, and the machinery.
- Correct utilization of the machinery in accordance with the procedures detailed in the manuals.

ABOUT THIS MANUAL

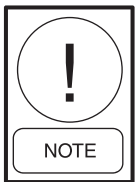
The following terms are used in this document to alert the reader to areas of potential hazard.



A **Warning** is given in this document to identify a hazard which could lead to personal injury. Usually an instruction will be given, together with a brief explanation and the possible result of ignoring the instruction.



A **Caution** identifies a hazard which could lead to damage to the machine, damage to other equipment and/or environmental pollution. Usually an instruction will be given, together with a brief explanation and the possible result of ignoring the instruction.



A **Note** is used to highlight additional information which may be helpful to you but where there are no special safety implications.

The contents of this manual include suggested best working practices and procedures. These are issued for guidance only, and they do not take precedence over the above stated individual responsibility and/or local safety regulations.

This manual and any other document supplied with the unit, are the property of YORK which reserves all rights. They may not be reproduced, in whole or in part, without prior written authorization from an authorized YORK representative.

MISUSE OF EQUIPMENT

Suitability for Application

The unit is intended for cooling water or glycol solutions and is not suitable for purposes other than those specified in these instructions. Any use of the equipment other than its intended use, or operation of the equipment contrary to the relevant procedures may result in injury to the operator, or damage to the equipment.

The unit must not be operated outside the design parameters specified in this manual.

Structural Support

Structural support of the unit must be provided as indicated in these instructions. Failure to provide proper support may result in injury to the operator, or damage to the equipment and/or building.

Mechanical Strength

The unit is not designed to withstand loads or stresses from adjacent equipment, pipework or structures. Additional components must not be mounted on the unit. Any such extraneous loads may cause structural failure and may result in injury to the operator, or damage to the equipment.

General Access

There are a number of areas and features which may be a hazard and potentially cause injury when working on the unit unless suitable safety precautions are taken. It is important to ensure access to the unit is restricted to suitably qualified persons who are familiar with the potential hazards and precautions necessary for safe operation and maintenance of equipment containing high temperatures, pressures and voltages.

Pressure Systems

The unit contains refrigerant vapor and liquid under pressure, release of which can be a danger and cause injury. The user should ensure that care is taken during installation, operation and maintenance to avoid damage to the pressure system. No attempt should be made to gain access to the component parts of the pressure system other than by suitably trained and qualified personnel.

Electrical

The unit must be grounded. No installation or maintenance work should be attempted on the electrical equipment without first switching OFF, isolating and locking-off the power supply. Work on live equipment must only be carried out by suitably trained and qualified

personnel. No attempt should be made to gain access to the control panel or electrical enclosures during normal operation of the unit.

Rotating Parts

Fan guards must be fitted at all times and not removed unless the power supply has been isolated. If ductwork is to be fitted, requiring the wire fan guards to be removed, alternative safety measures must be taken to protect against the risk of injury from rotating fans.

Sharp Edges

The finning on the air cooled condenser coils has sharp metal edges. Reasonable care should be taken when working in contact with the coils to avoid the risk of minor abrasions and lacerations. The use of gloves is recommended.

Refrigerants and Oils

Refrigerants and oils used in the unit are generally non-toxic, non-flammable and non-corrosive, and pose no special safety hazards. Use of gloves and safety glasses are, however, recommended when working on the unit. The build up of refrigerant vapor, from a leak for ex-

ample, does pose a risk of asphyxiation in confined or enclosed spaces and attention should be given to good ventilation.

High Temperature and Pressure Cleaning

High temperature and pressure cleaning methods (e.g. steam cleaning) should not be used on any part of the pressure system as this may cause operation of the pressure relief device(s). Detergents and solvents which may cause corrosion should also be avoided.

EMERGENCY SHUTDOWN

In case of emergency the electrical option panel is fitted with an emergency stop switch CB3 (Circuit Breaker 3). Separate Circuit Breakers, CB1 (System 1) and CB2 (System 2), can also be used to stop the respective system in an emergency. When operated, CB3 removes the electrical supply from the control system, thus shutting down the unit.

PRODUCT DESCRIPTION

- 1 System Fans
- 2 System 1 Power Panel
- 3 System 2 Power Panel
- 4 Control Panel
- 5 Power Entry
- 6 System 1 Compressor
- 7 Evaporator
- 8 System 2 Compressor
- 9 System 1 Condenser
- 10 Option Box

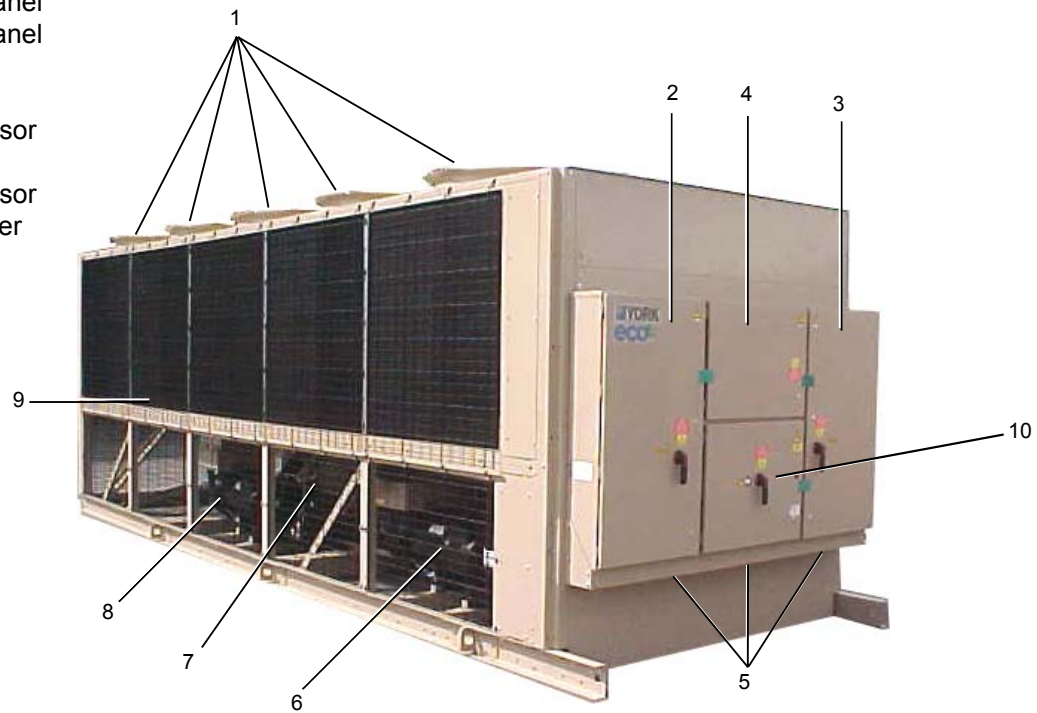


FIG. 1 – COMPONENT LOCATIONS

028971-G

INTRODUCTION

YORK YCAS chillers are designed for water or water-glycol cooling. All units are designed to be located outside on the roof of a building or at ground level.

The units are completely assembled with all interconnecting refrigerant piping and internal wiring, ready for field installation.

Prior to delivery, the unit is pressure tested, evacuated, and fully charged with refrigerant and oil in each of the two independent refrigerant circuits. After assembly, an operational test is performed with water flowing through the evaporator to ensure that each refrigerant circuit operates correctly.

The unit structure is manufactured from heavy gauge, galvanized steel. All external structural parts are coated with “Desert Sand” baked-on enamel powder paint. This provides a finish which, when subjected to ASTM B117, 500 hour, 5% salt spray conditions, shows breakdown of less than 1/8" either side of a scribed line (equivalent to ASTM D1654 rating of “6”).

All exposed power wiring is be routed through liquid-tight, non-metallic conduit.

General Description

The Air Cooled Screw Chiller utilizes many components which are the same or nearly the same as a standard reciprocating chiller of a similar size. This includes modular frame rails, condenser, fans and evaporator.

The chiller consists of 2 screw compressors in a corresponding number of separate refrigerant circuits, a single shell and tube DX counterflow evaporator, economizers, an air cooled condenser, and expansion valves.

Compressor

The semi-hermetic rotary twin-screw compressor is designed for industrial refrigeration applications and ensures high operational efficiencies and reliable performance. Capacity control is achieved through a single slide valve. The compressor is a positive displacement type characterized by two helically grooved rotors which are manufactured from forged steel. The 60 Hz motor operates at 3550 RPM to direct drive the male rotor which in turn drives the female rotor on a light film of oil.

Refrigerant gas is drawn into the void created by the unmeshing of the five lobed male and seven lobed female rotor. Further meshing of the rotors closes the rotor threads to the suction port and progressively compresses the gas in an axial direction to the discharge port. The gas is compressed in volume and increased in pressure before exiting at a designed volume at the discharge end of the rotor casing. Since the intake and discharge cycles overlap, a resulting smooth flow of gas is maintained.

The rotors are housed in a cast iron compressor housing precision machined to provide optimal clearances for the rotors. Contact between the male and female rotor is primarily rolling on a contact band on each of the rotor's pitch circle. This results in virtually no rotor wear and increased reliability, a trademark of the screw compressor.

The compressor incorporates a complete anti-friction bearing design for reduced power input and increased reliability. Four separated, cylindrical, roller bearings handle radial loads. Angular-contact ball bearings handle axial loads. Together they maintain accurate rotor positioning at all pressure ratios, thereby minimizing leakage and maintaining efficiency. A springless check valve is installed in the compressor discharge housing to prevent compressor rotor backspin due to system refrigerant pressure gradients during shutdown.

Motor cooling is provided by suction gas from the evaporator flowing across the motor. Redundant overload protection is provided using both thermistor and current overload protection.

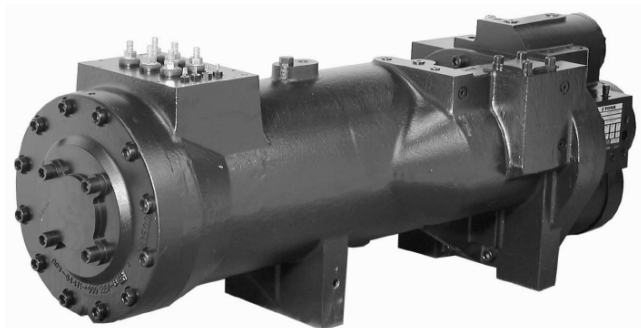


FIG. 2 – SCREW COMPRESSOR

YORK INTERNATIONAL

00485VIP

The compressor is lubricated by removing oil from the refrigerant using an external oil separator. The pressurized oil from the oil separator is then cooled in the condenser coils and piped back to the compressor for lubrication. The compressor design working pressure is 450 PSIG (31 bar). Each chiller receives a 300 PSIG (21 bar) low side and a 450 PSIG (31 bar) high side factory test. A 350 watt (115-1-60) cartridge heater is located in the compressor. The heater is temperature activated to prevent refrigerant condensation.

The following items are also included:

- An acoustically tuned, internal discharge muffler to minimize noise, while maintaining maximum flow and performance.
- Discharge shutoff valve.
- A rain-tight terminal box.
- A suction gas screen and serviceable, 0.5 - 3.0 micron full flow oil filter within the compressor housing.

Evaporator

The system uses a high efficiency Shell and Tube type Direct Expansion Evaporator. Each of the 2 refrigerant circuits consists of 4 passes with the chilled liquid circulating back and forth across the tubes from one end to the other.

The design working pressure of the standard evaporator on the shell side is 150 PSIG (10 bar), and 350 PSIG (24 bar) for the tube (refrigerant side). The water baffles are fabricated from galvanized steel to resist corrosion. Removable heads are provided for access to internally enhanced, seamless, copper tubes. Water vent and drain connections are included.

The evaporator is equipped with a heater for protection to -20°F (-29°C) ambient and insulated with 3/4" (19 mm) flexible closed-cell foam.

The water nozzles are provided with grooves for mechanical couplings and should be insulated by the contractor after pipe installation.

Condenser

The fin and tube condenser coils are manufactured from seamless, internally enhanced, high condensing coefficient, corrosion resistant copper tubes arranged in

staggered rows and mechanically expanded into corrosion resistant aluminum alloy fins with full height fin collars. They have a design working pressure of 450 PSIG (31 bar). Each coil is rested to 495 PSIG (34 bar).

Multiple fans move air through the coils. They are dynamically and statically balanced, direct drive with corrosion resistant glass fiber reinforced composite blades molded into low noise, full airfoil cross section, providing vertical air discharge from extended orifices for efficiency and low sound. Each fan is located in a separate compartment to prevent cross flow during fan cycling. Guards of heavy gauge, PVC coated galvanized steel are provided.

The fan motors are high efficiency, direct drive, 6-pole, 3-phase, Class- "F," current overload protected, totally enclosed (TEAO) type with double sealed, permanently lubricated ball bearings.

Economizer

Economizer is a refrigerant to refrigerant, compact plate-type heat exchanger to maximize chiller capacity and efficiency by subcooling liquid refrigerant delivered to the cooler expansion valve. Constructed of corrosion resistant stainless steel plates formed to induce turbulent flow and enhance heat transfer, then oven brazed and pressure tested for reliability. Designed and constructed with ASME and TÜV certification for 31 bar (450 psig). UL/CSA listed.

Oil Separator/System

The external oil separator, with no moving parts and designed for minimum oil carry-over, is mounted in the discharge line of the compressor. The high pressure discharge gas is forced around a 90 degree bend. Oil is forced to the outside of the separator through centrifugal action and captured on wire mesh where it drains to the bottom of the oil separator and flows to the condenser for cooling before returning to the compressor.

The oil (YORK "L" oil – a POE oil used for all refrigerant applications), which flows back into the compressor through a replaceable 0.5 - 3.0 micron oil filter, is at high pressure. This high pressure "oil injection" forces the oil into the compressor where it is fed to the bearings for lubrication. After lubricating the bearings, it is injected through orifices on a closed thread near the suction end of the rotors. The oil is automatically injected because of the pressure difference between the discharge pressure and the reduced pressure at the suction end of the rotors. This lubricates the rotors as well as provides an oil seal against leakage around the rotors to

assure refrigerant compression (volumetric efficiency). The oil also provides cooling by transferring much of the heat of compression from the gas to the oil keeping discharge temperatures down and reducing the chance for oil breakdown. Oil injected into the rotor cage flows into the rotors at a point about 1.2x suction. This assures that a required minimum differential of at least 30 PSID (2.1 bar) exists between discharge and 1.2x suction, to force oil into the rotor case. A minimum of 10 PSID (0.6 bar) is all that is required to assure protection of the compressor. Oil pressure safety is monitored as the difference between suction and the pressure of the oil entering the rotor case.

Maximum working pressure of the oil separator is 450 PSIG (31 bar). Oil level should be above the midpoint of the "lower" oil sight glass when the compressor is running. Oil level should not be above the top of the "upper" sight glass.

Oil Cooling

Oil cooling is provided by routing oil from the oil separator through several of the top rows of the condenser coils and back to the compressor.

Capacity Control

The compressors will start at the minimum load position and provide a capacity control range from 10% - 100% of the full unit load using a continuous function slide valve. The microprocessor modulates a voltage signal to a 3-way pressure regulating capacity control valve which controls compressor capacity, independent of system pressures, and balances the compressor capacity with the cooling load. Loading is accomplished by varying pressure through the pressure regulating capacity control valve to move the slide valve against the spring pressure to promote stable smooth loading.

Automatic spring return of the slide valve to the minimum load position will ensure compressor starting at minimum motor load.

Power and Control Panel

All controls and motor starting equipment are factory wired and function tested. The panel enclosures are designed to IP55 and are manufactured from powder painted galvanized steel.

The Power and Control Panel are divided into power sections for each compressor and associated fans, a control section and an electrical options section. The power and control sections have separate hinged, latched, and gasket sealed doors equipped with wind struts.

Each power compartment contains:

Compressor and fan starting contactors, fan motor external overloads, control circuit serving compressor capacity control, compressor and fan contactor coils and compressor motor overloads. (Fig #1, page 12)

Current transformers in the 2ACE module provide compressor motor overload protection and sense each phase. This protects the compressor motors from damage due to: low current input, high input current, unbalanced current, single phasing, phase reversal, and compressor locked rotor.

The control section contains:

ON/OFF switch, microcomputer keypad and display, microprocessor board, I/O expansion board, relay boards and power supply board.

The options sections contain:

A control circuit transformer complete with service switch providing 115/1/60 Hz power to the unit control system.

Electrical options as described in “Accessories and Options.”

Microprocessor Controls

The microprocessor has the following functions and displays:

- A liquid crystal 40 character display with text provided on two lines and light emitting diode back-lighting outdoor viewing.
- A color coded, 35 button, sealed keypad with sections for Display, Entry, Setpoints, Clock, Print, Program and Unit ON/OFF.

The standard controls shall include: brine chilling, thermal storage, automatic pump down, run signal contacts, demand load limit from external building automation system input, remote reset liquid temperature reset input, unit alarm contacts, chilled liquid pump control, automatic reset after power failure, automatic system optimization to match operating conditions.

The software is stored in non-volatile memory (EPROM) to eliminate chiller failure due to AC power failure. The Programmed Setpoints are stored in lithium battery backed memory.

Motor Current Protection

The microprocessor motor protection provides high current protection to assure that the motor is not damaged due to voltage, excess refrigerant, or other problems that could cause excessive motor current. This is accomplished by sending a current signal proportional to motor current from the Motor Protector module to the I/O Expansion board to be multiplexed and sent to the Microprocessor Board. If the motor current exceeds the 115% FLA trip point after 3 seconds of operation on either Wye-Delta or ACL starters, the micro will shut the system down and lock it out after one fault. A manual reset of the respective system switch is required to clear the fault and restart the system. A thorough check of the motor, wiring, and refrigerant system should be done before restarting a system that has faulted on high motor current.

The micro also provides low motor current protection when it senses a motor current less than 10% FLA. The micro will shut the system down whenever low motor current is sensed and will lock out a system if three faults occur in 90 minutes. Low motor current protection is activated 4 seconds after start on both Wye-Delta and ACL starters to assure the motor starts, the system doesn't run without refrigerant, the motor protector is not tripped, and the mechanical high pressure cut-out is not tripped. Once the system is locked out on Low Motor Current, it must be manually reset with the system switch. See also Motor Protection Module section below.

The micro senses low motor current whenever a HPCO or Motor Protector contact opens. This occurs because the MP and HPCO contacts are in series with the motor contactor. Whenever either of these devices are open, the contactor de-energizes and the motor shuts down. Since the micro is sending a run signal to the contactor, it senses the low motor current below 10% FLA and shuts the system down.

Motor Protection Modules (2ACE)

The mechanical motor protector is a Texas Instruments 2ACE Three Phase Protection Module (Fig. 45, page 127), provides thermal and current motor overload protection. This module also protects against phase to phase current imbalance, over current, under current, and phase rotation. The modules, mounted in the power panels, utilizes a 7 segment display which provides operating status and fault diagnostic information. The 7 segment display will display either a stationary or a flashing alphanumeric value which can be decoded by the operator. A list of the codes follows:

HAXXX	Normal motor OFF display. Sequentially sweeps through the motor protection dip switch setting.
0	Normal - no fault detected (Running)
Flashing "0"	Motor off or unloaded < 5A (Running) AC current level.
1	High current fault.
2	Loaded phase to phase current imbalance $\geq 17\%$.
3	Unloaded phase to phase current imbalance $\geq 25\%$.
4	Improper incoming phase rotation.
5	High motor temperature. Trip point = 13kW, reset = 3.25kW.
6	Communication error.
7	Unload imbalance ($\geq 50\%$)
8	Phase Loss ($> 60\%$)
E	Out of range of RLA calibration.
Other symbols	Defective module or supply voltage.

Working voltage 18 - 30 VAC, 24 VAC nominal.
 Low voltage trip = 15 VAC.

Whenever a motor protector trips, the motor protector contacts wired in series with the motor contacts opens and the motor contactor de-energizes causing the motor to stop. The micro senses the low motor current and shuts the system down. The micro will try two more starts before locking the system out. The system locks out because the motor protector is a manual reset device. After the first start, the modules' contacts

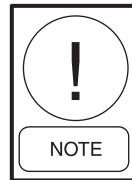
will be open preventing the motor contactors from energizing. Power must be removed and reapplied to reset the module. Use CB3 in the Micro Panel to cycle power.

Current Overload

The 2ACE module design uses one integral current transformer per phase to provide protection against rapid current overload conditions. The module responds to changes in current and must be calibrated using DIP switches located on the module. Integral trip curves allow for in-rush currents during Wye-Delta, part wind, or ACL starts without nuisance tripping.

To check the factory setting of the 2ACE module current overload trip value. See Table 1 (pages 18 and 21).

For the location of the dip switches and determining the ON side of the switches, refer to Figure 45, page 127. As indicated, to place a switch in the ON position requires pushing the switch to the left.



A switch must be pushed to the left to place the switch in the ON position. The numerical value for the combination of "ON" switches equals the overload setting.



It is recommended that a YORK Service Technician or the YORK factory be consulted before changing these settings for any reason, since damage to the compressor could result. Changes should never be made unless it is verified that the settings are incorrect.



Anytime a dip switch change is made, power must be cycled off and on to the module to reprogram the module to the new value.

Thermal Overload

Three PTC (positive temperature coefficient) thermistors in the motor windings provides thermal protection. The sensor resistance stays relatively constant at $1k\Omega$ until a temperature of 266°F (130°C) is sensed. The sensor experiences a rapid rise in resistance beyond this temperature. Whenever the resistance of one of the sensors reaches $13k\Omega$, $\pm 3k\Omega$, the 2ACE module trips, which ultimately de-energizes the motor's pilot circuit. Reset is manual after the motor cools and the sensor resistance drops to $3.25k\Omega$, $\pm 0.5k\Omega$.

Current Imbalance (Loaded & Unloaded)/**Loss of Phase**

A 2 second delay at start-up allows for any imbalances resulting during normal starting conditions. After this initial delay, the 2ACE module compares the "Operating Current" to the measured half line current. The "Operating Current" is given by $0.65 \times$ factory overload current setting.

An *unloaded compressor condition* occurs when any measured half line current is less than the "Operating

Current." A current imbalance exceeding an unloaded level of 25% will result in the motor pilot circuit being de-energized.

A *loaded compressor condition* occurs when any measured half line current is greater than or equal to the "Operating Current." A current imbalance exceeding a loaded level of 17% will result in the motor pilot circuit being de-energized.

Imbalance is defined as
(High Phase - Low Phase)/High Phase

Improper Phase Sequence

The 2ACE module calculates the phase sequence at start-up using the three current transformers to determine whether the three phase sequence on the load side of the main contactor is miswired. Upon detection of a miswired motor load, the module will de-energize the main contactor pilot circuit within 50 millisecond response time.

Additional information on the 2ACE MP module may be found on page 125.

TABLE 1 – MOTOR PROTECTOR DIP SWITCH SETTING

YCAS STYLE G, ACROSS-THE-LINE – 60 HZ

MODEL NO.	VOLT CODE	CHILLER NAMEPLATE RLA	NO. LEADS PER PHASE	MOTOR PROTECTOR								
				MP DISPLAY HA XXX	DIP SWITCH SETTINGS ON MP ("1" INDICATES ON)							
					128	64	32	16	8	4	2	1
130	17	246	*2	166	1	0	1	0	0	1	1	0
	28	214	2	144	1	0	0	1	0	0	0	0
	40	130	2	175	1	0	1	0	1	1	1	1
	46	107	1	144	1	0	0	1	0	0	0	0
	58	86	1	116	0	1	1	1	0	1	0	0
140	17	267	*4	90	0	1	0	1	1	0	1	0
	28	232	*2	157	1	0	0	1	1	1	0	1
	40	140	2	189	1	0	1	1	1	1	0	1
	46	116	1	157	1	0	0	1	1	1	0	1
	58	93	1	125	0	1	1	1	1	1	1	0
0150 SYS. 1	17	295	*4	99	0	1	1	0	0	0	1	1
	28	256	*4	86	0	1	0	1	0	1	1	0
	40	155	2	209	1	1	0	1	0	0	0	1
	46	128	2	173	1	0	1	0	1	1	0	1
	58	103	1	139	1	0	0	0	1	0	1	1
0150 SYS. 2	17	265	*4	89	0	1	0	1	1	0	0	1
	28	230	*2	155	1	0	0	1	1	0	1	1
	40	139	2	188	1	0	1	1	1	1	0	0
	46	115	1	155	1	0	0	1	1	0	1	1
	58	92	1	124	0	1	1	1	1	1	0	0
0160	17	295	*4	99	0	1	1	0	0	0	1	1
	28	256	*4	86	0	1	0	1	0	1	1	1
	40	155	2	209	1	1	0	1	0	0	0	1
	46	128	2	173	1	0	1	0	1	1	0	1
	58	103	1	139	1	0	0	0	1	0	1	1
0170 SYS. 1	17	321	*4	108	0	1	1	0	1	1	0	0
	28	279	*4	94	0	1	0	1	1	1	1	0
	40	169	*2	114	0	1	1	1	0	0	1	0
	46	140	2	189	1	0	1	1	1	1	0	1
	58	112	1	151	1	0	0	1	0	1	1	1
0170 SYS. 2	17	295	*4	99	0	1	1	0	0	0	1	1
	28	256	*4	86	0	1	0	1	0	1	1	1
	40	155	2	209	1	1	0	1	0	0	0	1
	46	128	2	173	1	0	1	0	1	1	0	1
	58	103	1	139	1	0	0	0	1	0	1	1

* Indicates one lead/phase through motor protector.

TABLE 1 – MOTOR PROTECTOR DIP SWITCH SETTING (CONT'D)**YCAS STYLE G, ACROSS-THE-LINE – 60 HZ**

MODEL NO.	VOLT CODE	CHILLER NAMEPLATE RLA	NO. LEADS PER PHASE	MOTOR PROTECTOR								
				MP DISPLAY HA XXX	DIP SWITCH SETTINGS ON MP ("1" INDICATES ON)							
					128	64	32	16	8	4	2	1
180	17	321	*4	108	0	1	1	0	1	1	0	0
	28	279	*4	94	0	1	0	1	1	1	1	0
	40	169	*2	114	0	1	1	1	0	0	1	0
	46	140	2	189	1	0	1	1	1	1	0	1
	58	112	1	151	1	0	0	1	0	1	1	1
200	17	342	*4	115	0	1	1	1	0	1	0	0
	28	298	*4	101	0	1	1	0	0	1	0	1
	40	181	*2	122	0	1	1	1	1	1	1	0
	46	149	2	201	1	1	0	0	1	0	0	1
	58	119	1	161	1	0	1	0	0	0	0	1
210 SYS. 1	17	374	*4	126	0	1	1	1	1	1	1	0
	28	325	*4	110	0	1	1	0	1	1	1	0
	40	197	*2	133	1	0	0	0	0	1	0	1
	46	163	*2	110	0	1	1	0	1	1	1	0
	58	130	2	175	1	0	1	0	1	1	1	1
210 SYS. 2	17	342	*4	115	0	1	1	1	0	1	0	0
	28	298	*4	101	0	1	1	0	0	1	0	1
	40	181	*2	122	0	1	1	1	1	1	1	0
	46	149	2	201	1	1	0	0	1	0	0	1
	58	119	1	161	1	0	1	0	0	0	0	1
230	17	374	*4	126	0	1	1	1	1	1	1	0
	28	325	*4	110	0	1	1	0	1	1	1	0
	40	197	*2	133	1	0	0	0	0	1	0	1
	46	163	*2	110	0	1	1	0	1	1	1	0
	58	130	2	175	1	0	1	0	1	1	1	1

* Indicates one lead/phase through motor protector

TABLE 1 – MOTOR PROTECTOR DIP SWITCH SETTING (CONT'D)

YCAS STYLE G, WYE DELTA START – 60 HZ

MODEL NO.	VOLT CODE	CHILLER NAMEPLATE RLA	NO. LEADS PER PHASE	MOTOR PROTECTOR								
				MP DISPLAY HA XXX	DIP SWITCH SETTINGS ON MP ("1" INDICATES ON)							
					128	64	32	16	8	4	2	1
130	17	246	*4	96	0	1	1	0	0	0	0	0
	28	214	*2	167	1	0	1	0	0	1	1	1
	40	130	2	175	1	0	1	0	1	1	1	1
	46	107	2	144	1	0	0	1	0	0	0	0
	58	86	2	116	0	1	1	1	0	1	0	0
140	17	267	*4	105	0	1	1	0	1	0	0	1
	28	232	*4	91	0	1	0	1	1	0	1	1
	40	140	2	189	1	0	1	1	1	1	0	1
	46	116	2	157	1	0	0	1	1	1	0	1
	58	93	2	126	0	1	1	1	1	1	1	0
0150 SYS. 1	17	295	*4	115	0	1	1	1	0	0	1	1
	28	256	*4	100	0	1	1	0	0	1	0	0
	40	155	2	209	1	1	0	1	0	0	0	1
	46	128	2	173	1	0	1	0	1	1	0	1
	58	103	2	139	1	0	0	0	1	0	1	1
0150 SYS. 2	17	265	*4	104	0	1	1	0	1	0	0	0
	28	230	*4	90	1	1	0	1	1	0	1	0
	40	139	2	188	1	0	1	1	1	1	0	0
	46	115	2	155	1	0	0	1	1	0	1	1
	58	92	2	124	0	1	1	1	1	1	0	0
0160	17	295	*4	115	0	1	1	1	0	0	1	1
	28	256	*4	100	0	1	1	0	0	1	0	0
	40	155	2	209	1	1	0	1	0	0	0	1
	46	128	2	173	1	0	1	0	1	1	0	1
	58	103	2	139	1	0	0	0	1	0	1	1
0170 SYS. 1	17	321	*4	126	0	1	1	1	1	1	1	0
	28	279	*4	109	0	1	1	0	1	1	0	1
	40	169	*2	132	1	0	0	0	0	1	0	0
	46	140	2	189	1	0	1	1	1	1	0	1
	58	112	2	151	1	0	0	1	0	1	1	1
0170 SYS. 2	17	295	*4	115	0	1	1	1	0	0	1	1
	28	256	*4	100	0	1	1	0	0	1	0	0
	40	155	2	209	1	1	0	1	0	0	0	1
	46	128	2	173	1	0	1	0	1	1	0	1
	58	103	2	139	1	0	0	0	1	0	1	1

* Indicates one lead/phase through motor protector.

TABLE 1 – MOTOR PROTECTOR DIP SWITCH SETTING (CONT'D)

YCAS STYLE G, WYE DELTA START – 60 HZ												
MODEL NO.	VOLT CODE	CHILLER NAMEPLATE RLA	NO. LEADS PER PHASE	MOTOR PROTECTOR								
				MP DISPLAY HA XXX	DIP SWITCH SETTINGS ON MP ("1" INDICATES ON)							
					128	64	32	16	8	4	2	1
180	17	321	*4	126	1	0	0	0	0	0	1	0
	28	279	*4	109	0	1	1	0	1	1	0	1
	40	169	*2	132	1	0	0	0	0	1	0	0
	46	140	2	189	1	0	1	1	1	1	0	1
	58	112	2	151	1	0	0	1	0	1	1	1
200	17	342	*4	134	1	0	0	0	0	1	1	0
	28	298	*4	117	0	1	1	1	0	1	0	1
	40	181	*2	142	1	0	0	0	1	1	1	0
	46	149	2	201	1	1	0	0	1	0	0	1
	58	119	2	161	1	0	1	0	0	0	0	1
210 SYS. 1	17	374	*4	146	1	0	0	1	0	0	1	0
	28	325	*4	127	0	1	1	1	1	1	1	1
	40	197	*2	154	1	0	0	1	1	0	1	0
	46	163	*2	128	1	0	0	0	0	0	0	0
	58	130	2	175	1	0	1	0	1	1	1	1
210 SYS. 2	17	342	*4	134	1	0	0	0	0	1	1	0
	28	298	*4	117	0	1	1	1	0	1	0	1
	40	181	*2	142	1	0	0	0	1	1	1	0
	46	149	2	201	1	1	0	0	1	0	0	1
	58	119	2	161	1	0	1	0	0	0	0	1
230	17	374	*4	146	1	0	0	1	0	0	1	0
	28	325	*4	127	0	1	1	1	1	1	1	1
	40	197	*2	154	1	0	0	1	1	0	1	0
	46	163	*2	128	1	0	0	0	0	0	0	0
	58	130	2	175	1	0	1	0	1	1	1	1

* Indicates one lead/phase through motor protector.

MOTOR STARTING

Two types of compressor motor starting are available: Across-the-Line and optional Wye-Delta Open Transition Starter.

Across-the-Line starters will utilize one contactor and one start relay per compressor. The optional Wye-Delta starter utilizes 4 motor contactors, a transition delay relay, a start relay, and a start-wye relay.

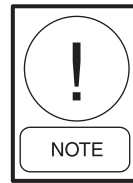
The Wye-Delta start allows inrush current to be limited to approximately 33% LRA for the first 4 to 7 seconds, with current increasing to normal running current when the Delta connection is completed.

When the micro initiates a start signal at Relay Output Board #1 (SYS 1) Terminal 20 or Relay Output Board #2 (SYS 2) Terminal 20 to run a compressor, the 1CR (SYS 1) or 2CR (SYS 2) relay is energized. The transition of the 1CR (SYS 1) or 2CR (SYS 2) relay contacts energizes the 1S (SYS 1) or 2S (SYS 2) relay approx. 16ms later. The 1S/2S contacts in turn energize the 1M (SYS 1) or 3M (SYS 2) motor contacts 16ms later. This completes the “WYE” connection of the motor start. At the same time, the normally closed 1S/2S auxiliary interlock contact opens preventing the 2M and 1 TRX (SYS 1) or 4M and 2 TRX (SYS 2) motor contactors from energizing. 2 sets of auxiliary contacts from 1M (SYS 1) or 3M (SYS 2) close, interlocking the 1M (SYS 1) or 3M (SYS 2) contactors, keeping them energized in parallel with 1S (SYS 1) or 2S (SYS 2).

The “WYE” connection of the motor start is enabled for 4 to 7 seconds depending upon motor current as sensed by the microprocessor. The transition to Delta takes 7 seconds if current is below 110% FLA. If motor current exceeds 110% FLA, the transition is made to Delta as long as the WYE has been enabled for at least 4 seconds.

After the “WYE” connection is enabled for 4 to 7 seconds, the 1TR (SYS 1) or 2TR (SYS 2) transition delay relay is enabled by the microprocessor from Relay Output Board #1 Terminal 8 (SYS 1) or Relay Output Board #2 Terminal 6 (SYS 2). The 1TR (SYS 1) or 2TR (SYS 2) contacts open, de-energizing 1S (SYS 1) or 2S (SYS 2). 1M (SYS 1) or 3M (SYS 2) remain energized through 2 sets of interlocking contacts 1M (SYS 1) or 3M (SYS 2). Opening of the 1TR (SYS 1) or 2TR (SYS 2) contacts deenergizes 1S/2S and closes the normally closed 1S (SYS 1) or 2S (SYS 2) contacts, energizing

1 TRX (SYS 1) or 2 TRX (SYS 2). 1TRX or 2TRX subsequently energizes motor contactor 2M (SYS 1) or 4M (SYS 2), completing the “DELTA” connection of the motor.



1 TR, 1 TRX, 2 TR, and 2 TRX are NOT “timing” relays. These devices are simply pilot relays identical to 1CR and 2CR.

KEYPAD CONTROLS

Display

Parameters are displayed in English (°F and PSIG) or Metric (°C and Bars) units, and for each circuit, the following items can be displayed:

- Return and leaving chilled liquid, and ambient temperature.
- Day, date and time. Daily start/stop times. Holiday and Manual Override status.
- Compressor operating hours and starts. Automatic or manual lead/lag. Lead compressor identification.
- Run permissive status. No cooling load condition. Compressor run status.
- Anti-recycle timer and anti-coincident start timer status per compressor.
- System suction (and suction superheat), discharge, and oil pressures and temperatures.
- Percent full load compressor motor current per phase and average per phase. Compressor capacity control valve input steps.
- Cutout status and setpoints for: supply fluid temperature, low suction pressure, high discharge pressure and temperature, high oil temperature, low and high ambient, phase rotation safety, and low leaving liquid temperature.
- Unloading limit setpoints for high discharge pressure and compressor motor current.
- Status of: evaporator heater, condenser fans, load and unload timers, chilled water pump.
- “Out of range” message.
- Up to 6 fault shut down conditions.

The standard display language is English, with 4 other languages available.

Entry – Used to confirm Set Point changes, cancel inputs, advance day, and change AM/PM.

Setpoints – For setting chilled liquid temperature, chilled liquid range, remote reset temperature range.

Clock – Used to set time, daily or holiday start/stop schedule and manual override for servicing.

Print – Used to display or print operating data or system fault shutdown history for last six faults. Printouts through an RS-232 port via a separate printer.

Program

For setting low leaving liquid temperature cutout, 300 to 600 second anti-recycle timer, average motor current unload point, liquid temperature setpoint reset signal from YORK ISN or building automation system.

Additional functions (password protected) for programming by a qualified service technician:

Cutouts for low and high ambient, low suction pressure and high discharge pressure, refrigerant type, high discharge pressure unload setpoint.

ACCESSORIES AND OPTIONS

Multiple Point Power Connection (Standard)

Standard field power wiring connection on all models is Multiple Point Power Connection. Field provided power supply circuits, with appropriate branch circuit protection, are connected to factory provided terminal blocks, non-fused disconnect switches or circuit breakers with lockable external handles located in the two power compartments.

Single-Point Power Connection with Individual Circuit Protection

A single-point supply circuit with field provided protection is connected to a factory provided terminal block or non-fused disconnect switch located in the options compartment. Factory wiring is provided from the terminal block or disconnect switch to factory supplied internal branch circuit breakers with lockable external handles in the power compartments.

Single-Point Power Connection with Combined Circuit Protection

A single-point supply circuit with field provided protection is connected to a factory provided circuit breaker with lockable external handle located in the options compartment. Factory wiring is provided from the circuit breaker to factory supplied terminal blocks in the power compartments.

Single-Point Power Connection without Circuit Protection

A single-point supply circuit with field provided protection is connected to a factory provided terminal block or non-fused disconnect switch located in the options compartment. Factory wiring is provided from the terminal block or disconnect switch to factory supplied terminal blocks in the power compartments.

Control Circuit Terminal Block

A 120V, 20A control circuit power terminal strip located in the control panel to accept a field provided control power supply, rather than the standard factory mounted control circuit transformer. The supply with appropriate branch circuit protection in accordance with applicable Local codes, provides the unit control circuit power supply via the panel mounted Emergency Stop Switch.

Building Automation System (BAS) Interface

Provides a means to reset the leaving chilled liquid temperature or percent full load amps (current limiting) from the BAS (Factory-mounted):

Printed circuit board to accept 4 to 20mA, 0 to 10VDC, or dry contact closure input from the BAS.

A YORK ISN Building Automation System can provide a Pulse Width Modulated (PWM) signal direct to the standard control panel via the standard on-board RS485 port.

Condenser Coil Protection

The standard condenser coils have Aluminum fins, copper tubes, and galvanized steel supports for generally adequate corrosion resistance. However, these materials are not adequate for all environments.

The following options provide added protection:

Black fin condenser coils – Condenser coils constructed using black epoxy coated Aluminum fin stock for corrosion resistance comparable to copper fin coils in typical seashore locations.

Copper fin condenser coils – Coils constructed with corrosion resistant copper fins. Not recommended in areas where units may be exposed to acid rain.

Phenolic coated condenser coils – Completed condenser coil assemblies are covered with a cured Phenolic coating. Probably the most suitable selection for seashore locations where salt spray may come into contact with the fins, and other corrosive applications except: strong alkalis, oxidizers, and wet bromine, chlorine, and fluorine in concentrations greater than 100 PPM.

DX EVAPORATOR AND STARTER OPTIONS

300 PSIG (21 bar) Waterside Design Working Pressure – The DX evaporator waterside is designed and constructed for 300 PSIG (21 bar) working pressure. (Factory-mounted)

1-1/2" (38 mm) Insulation – Double thickness insulation provided for enhanced efficiency.

Flange Accessory – Consists of raised face flanges to convert grooved water nozzles to flanged evaporator connections. Includes companion flanges for field-mounting. (See Page 33.)

Remote DX Evaporator – Includes the main condensing unit less the evaporator, refrigerant and liquid line devices. The insulated evaporator and field accessory kits per refrigerant circuit are supplied separately. The condensing unit is shipped with a nitrogen holding charge and the evaporator is shipped with a nitrogen holding charge.

Flow Switch Accessory – Johnson Controls model F61MG-1C Vapor-proof SPDT, NEMA 4X switch, 150 PSIG (10 bar) DWP, -20°F to 250°F (-29°C to 121°C), with 1" NPT (IPS) connection for upright mounting in horizontal pipe. A flow switch must be field installed with each unit. Optional 300 PSIG switch available.

Star-Delta Compressor Motor Starter – Provides approximately 65% reduced inrush current compared to across-the-line start (Factory-mounted).

UNIT ENCLOSURES OPTIONS

Wire enclosure – Heavy gauge welded wire mesh guards mounted on the exterior of the unit (Factory- or field-mounted).

Louvered panels and wired guards – Louvered panels mounted over the exterior condenser coil faces, and heavy gauge welded wire mesh guards mounted around the bottom of the unit (Factory- or field-mounted).

Louvered panels (condenser coils only) – Louvered panels are mounted over the exterior condenser coil faces on the sides of the unit to visually screen and protect the coils (Factory- or field-mounted).

Louvered panels (full unit) enclosure – Louvered panels over condenser coils and around the bottom of the unit (Factory- or field-mounted).

FAN OPTIONS

High static fans: Fans and motors suitable for High External Static conditions to 100 Pa.

SOUND REDUCTION OPTIONS

Low speed fans – Reduced RPM fan motors and alternative fan selection for low noise applications.

Compressor sound enclosures – Acoustically treated metal compressor enclosures.

VIBRATION ISOLATION

Neoprene pad isolation – Recommended for normal installations. (Field-mounted)

1" (25 mm) spring isolators – Level adjustable, spring and cage type isolators for mounting under the unit base rails (Field-mounted).

2" (51 mm) seismic spring isolators – Restrained Spring-Flex Mountings incorporate welded steel housing with vertical and horizontal limit stops. Housings designed to withstand a minimum 1.0 g accelerated force in all directions to 2" (51 mm). Level adjustable, deflection may vary slightly by application. (Field-mounted).

UNIT NOMENCLATURE
NAMEPLATE ENGINEERING DATA

BASIC PART NUMBER

YCAS0230EC46YGA

1	2	3	4	5	6	7	8	9	10	11	12	13	14	15
BASE PRODUCT TYPE	UNIT DESIGNATOR	REFRIGERANT	VOLTAGE/STARTER	DESIGN DEVELOPMENT LEVEL (STYLE)										
Y	C	A	S	0230	0373	0403	0453	E	B	1	7	G	: Design Series G	
					0130	0140	0150	S	C	2	8		: Engineering Change or PIN Level	
					0160	0170	0180	G		4	0			
					0210	0223	0230			4	6			
									5	5	8			
										8	X			
													: Wye (Star) Delta : Across-the-Line	

OPTIONS MODEL NUMBER

16	17	18	19	20	21	22	23	24	25	26	27	28	29	30	31	32	33	34	35	36	37		
POWER FIELD	CONTROLS FIELD											COMPRESSOR / PIPING FIELD											
X	X	D	M	B	D	S	X	X	T	C	B	Q	X	Q									
: Standard Power Option	: MP NF Disconnects	: MP NF Disconnects	: SP NF Disconnects	: SP TB	: SP Circuit Breaker	: SP TB w/ Separate System Circuit Breakers	: SP NF Disconnect w/ Separate System Circuit Breakers	: SP Supply w/ Separate Disconnect Switch	: SP w/ Separate Disconnect Switch	: Special Power Option	: Control Circuit Power Terminal Strip (std)	: Special Transformer Required	: Control Transformer Required	: No Option Required	: Special Quote	: Leaving Water Temp = Degrees	: Thermal Storage	: Special LVT Requirements	: No Chicago Code Kit Required	: Chicago Code Kit Required	: Service Isolation Valve	: Both Isolation Valve and Chicago Code	: Special Chicago Code Kit Required
C	Q	T	X	Q																			
MP = Multiple Point	SP = Single-Point	NF = Non-Fused	TB = Terminal Block	Ser. = Service	TS = Thermal Storage	Ind. Sys. Brkr. & L. Ext. Handles = Individual System Breaker & Lockable External Handle																	

PRODUCT IDENTIFICATION NUMBER (PIN)

EXAMPLES:

16 17 18 19 20 21 22 23 24 25 26 27 28 29 30 31 32 33 34 35 36 37 38 39 40 41 42 43 44 45 46 47 48 49 50 51 52 53 54 55
 X X X X X X X L X
 S D T C A T S R L X P R S 2 5 C X 1 X X X X X 3 D W S A R X B X X 4 B X X L X X S D

38 39 40 41 42 43 44														45 46 47														48 49 50 51 52 53 54														56 57 58 59 60 61													
EVAP. FIELD														CONDENSER FIELD														CABINET FIELD																											
: 150PSIG DWP : 300PSIG DWP : Special DWP : 3/4" Evaporator Insulation : 1 1/2" Evaporator Insulation : Special Evaporator Insulation : No Flanges Required : Weld Flanges Required : Special Flanges Required : No Flow Switch : Flow Switch : Differential Pressure Switch : Special Flow Switch : Multinational Pressure Vessel Codes : ASME Pressure Vessel Codes : Australian Pressure Vessel Codes : French Pressure Vessel Codes : German Pressure Vessel Codes : Italian Pressure Vessel Codes : Polish Pressure Vessel Codes : Sweden SAQ Pressure Codes : Austrian TUV Pressure Vessel Codes : European "CE" Pressure Vessel Directive : Special Pressure Vessel Codes : Standard Evaporator : Remote Evaporator : Special Evaporator Requirements : No Option Required : Special Quote														: Aluminum : Pre-Coated : Copper : Post-Coated : Special Coil : No Option : Special Quote X : TEAO Fan Motors Q : Special Fan Motors														: No Enclosure Panels Required : Wire Panels (Factory) : Wire Panels (Field) : Wire / Louvered Panels (Factory) : Wire / Louvered Panels (Field) : Louvered (Cond. Only) Panels (Factory) : Louvered (Cond. Only) Panels (Field) : Louvered (Full Unit) Panels (Factory) : Louvered (Full Unit) Panels (Field) : Special Enclosure Panels : No Sound Enclosure Required : Acoustical Arrgt. & Silencer Kit : Compressor Blanket : Special Sound Enclosure : Dual Sound Attenuation : No Option Required : Special Quote : No Option Required : No Option Required : Special Quote : Standard Sound Fans : Low Sound Fans : High Static Fans : Special Sound Fans : No Final Overspray Paint Required : Final Overspray Paint : Special Overspray Paint Required : No Vibration Isolators : 1" Vibration Isolators : Seismic Vibration Isolators : Neoprene Vibration Isolators : Special Vibration Isolators														: No Refrigerant Warranty : 1 Year Refrigerant : 2 Year Refrigerant : 5 Year Refrigerant : No option required : Buy American Act : Both Buy American Act : Container Shipping Kit : Special quote : No option required : Special quote : Special quote : No option required : Special quote : Special quote B : Basildon Plant R : Monterrey Plant													
X 3 Q														X 1 2 3 4 5 6 7 8 Q														X 1 2 3 4 5 6 7 8 Q														X 1 2 5 A B C Q													
55 WARRANTY FIELD																																																							
X : Standard Warranty B : 1st Year Parts & Labor C : 2nd Year Parts Only D : 2nd Year Parts & Labor E : 5 Year Compressor Parts Only F : 5 Year Compressor Parts & Labor Only G : 5 Year Units Parts Only H : 5 Year Unit Parts & Labor																																																							
NOTES: 1. Q : DENOTES SPECIAL / S.Q. 2. # : DENOTES STANDARD 3. X : /in OPTIONS FIELD, DENOTES NO OPTION SELECTED 4. Agency Files (i.e. U.L. / E.T.L.; CE; ARI; ETC.) will contain info. based on the first 14 characters only.																																																							

HANDLING AND STORAGE

DELIVERY AND STORAGE

To ensure consistent quality and maximum reliability, all units are tested and inspected before leaving the factory. Standard units are shipped completely assembled and containing refrigerant under pressure. Units are shipped without export crating unless this has been specified on the Sales Order.

Units with remote evaporators will have the chiller and remote evaporator charged with nitrogen.

If the unit is to be put into storage, prior to installation, the following precautions should be observed:

- **Unit must be “blocked” so that the base is not permitted to sag or bow.**
- Ensure that all openings, such as water connections, are securely capped.
- Do not store where exposed to ambient air temperatures exceeding 110°F (43°C).
- The condensers should be covered to protect the fins from potential damage and corrosion, particularly where building work is in progress.
- The unit should be stored in a location where there is minimal activity in order to limit the risk of accidental physical damage.
- To prevent inadvertent operation of the pressure relief devices the unit must not be steam cleaned.
- It is recommended that the unit is periodically inspected during storage.

INSPECTION

Remove any transit packing and inspect the unit to ensure that all components have been delivered and that no damage has occurred during transit. If any damage is evident, it should be noted on the carrier's freight bill and a claim entered in accordance with the instructions given on the advice note.

Major damage must be reported immediately to your local YORK representative.

MOVING THE CHILLER

Prior to moving the unit, ensure that the installation site is suitable for installing the unit and is capable of supporting the weight of the unit and all associated services.

The units are designed to be lifted using cables. A spreader bar or frame 88" (2250 mm) wide should be used in order to prevent damage to the unit from the lifting chains (See Figures 3 and 4).

Units are provided with lifting eyes extending from the sides of the base frame which can be attached to directly using shackles or safety hooks (See Figure 4).

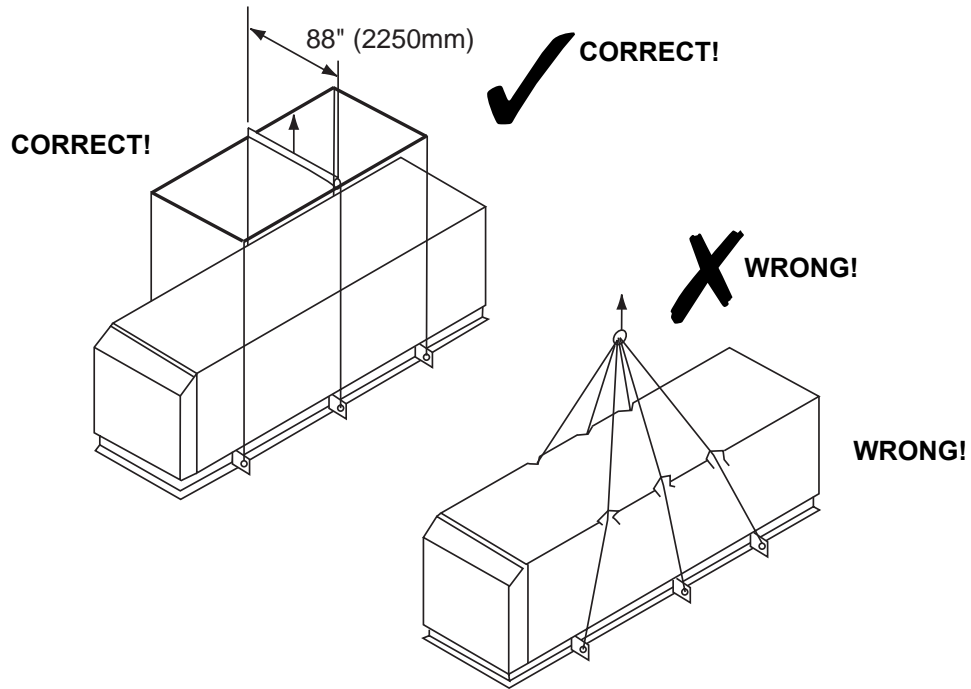
The unit must only be lifted by the base frame at the points provided. Never move the unit on rollers, or lift the unit using a forklift truck.

Care should be taken to avoid damaging the condenser cooling fins when moving the unit.

Lifting Weights

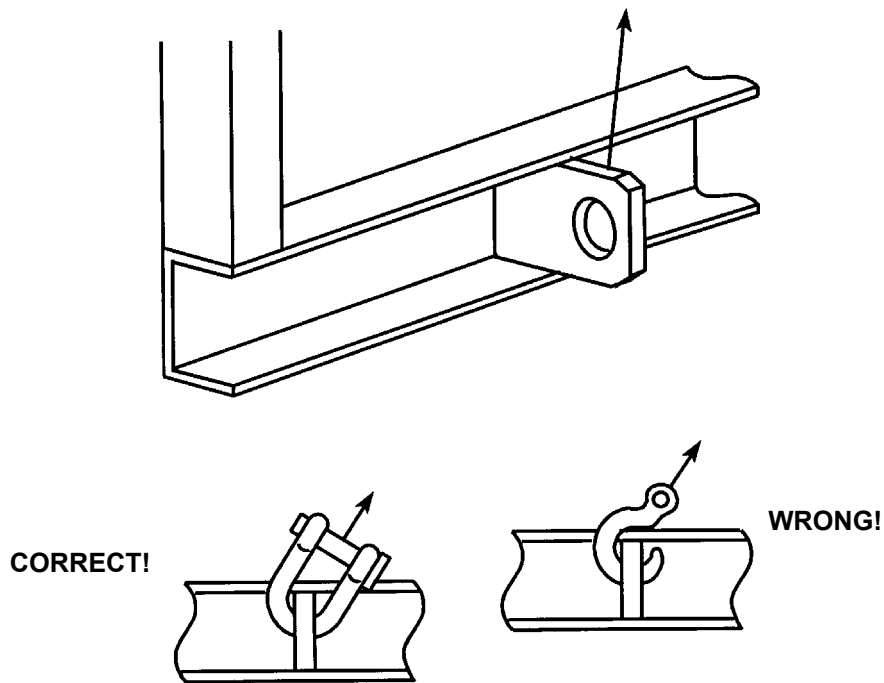
For details of weights and weight distribution refer to the Technical Data Section.

UNIT RIGGING



LD03514

FIG. 3 – UNIT RIGGING



LD03515

FIG. 4 – LIFTING LUGS

INSTALLATION

LOCATION REQUIREMENTS

To achieve optimum performance and trouble-free service, it is essential that the proposed installation site meets with the location and space requirements for the model being installed. For dimensions, weight and space requirements, including service access, refer to the Technical Data Section.

It is important to ensure that the minimum service access space is maintained for cleaning and maintenance purposes.

OUTDOOR INSTALLATIONS

The units can be installed at ground level, or on a suitable rooftop location. In both cases an adequate supply of air is required. Avoid locations where the sound output and air discharge from the unit may be objectionable.

The location should be selected for minimum sun exposure and away from boiler flues and other sources of airborne chemicals that could attack the condenser coils and steel parts of the unit.

If located in an area which is accessible to unauthorized persons, steps must be taken to prevent access to the unit by means of a protective fence. This will help to prevent the possibility of vandalism, accidental damage, or possible harm caused by unauthorized removal of protective guards or opening panels to expose rotating or high voltage components.

For ground level locations, the unit must be installed on a suitable flat and level concrete base that extends to fully support the two side channels of the unit base frame. A one-piece concrete slab, with footings extending below the frost line is recommended. To avoid noise and vibration transmission the unit should not be secured to the building foundation.

On rooftop locations, choose a place with adequate structural strength to safely support the entire operating weight of the unit and service personnel. The unit can be mounted on a concrete slab, similar to ground floor locations, or on steel channels of suitable strength. The channels should be spaced at the same centres as the vibration mounting holes in the unit base frame and must be at least 4-3/4" (120 mm) wide at the contact points. This will allow vibration isolators to be fitted if required.

Any ductwork or attenuators fitted to the unit must not have a total static pressure resistance, at full unit airflow, exceeding the capability of the fans installed in the unit.

INDOOR INSTALLATIONS

The unit can be installed in an enclosed plant room providing the floor is level and of suitable strength to support the full operating weight of the unit. It is essential that there is adequate clearance for airflow to the unit. The discharge air from the top of the unit must be ducted away to prevent recirculation of air within the plant room. If common ducts are used for fans, non-return dampers must be fitted to the outlet from each fan.

The discharge ducting must be properly sized with a total static pressure loss, together with any intake static pressure loss, less than the available static pressure capability for the type of fan fitted.

The discharge air duct usually rejects outside the building through a louver. The outlet must be positioned to prevent the air being drawn directly back into the air intake for the condenser coils, as such recirculation will affect unit performance.

LOCATION CLEARANCES

Adequate clearances around the unit(s) are required for the unrestricted airflow for the air-cooled condenser coils and to prevent recirculation of warm discharge air back onto the coils. If clearances given are not maintained, airflow restriction or recirculation will cause a loss of unit performance, an increase in power consumption and may cause the unit to malfunction. Consideration should also be given to the possibility of down drafts, caused by adjacent buildings, which may cause recirculation or uneven unit airflow.

For locations where significant cross winds are expected, such as exposed roof tops, an enclosure of solid or louver type is recommended to prevent wind turbulence interfering with the unit airflow.

When units are installed in an enclosure, the enclosure height should not exceed the height of the unit on more than one side. If the enclosure is of louvered construction the same requirement of static pressure loss applies as for ducts and attenuators stated above.

Where accumulation of snow is likely, additional height must be provided under the unit to ensure normal airflow to the unit.



The clearance dimensions given are necessary to maintain good airflow and ensure correct unit operation. It is also necessary to consider access requirements for safe operation and maintenance of the unit and power and control panels. Local health and safety regulations, or practical considerations for service replacement of large components, may require larger clearances than those given in the Technical Data Section of this manual, (page 90).

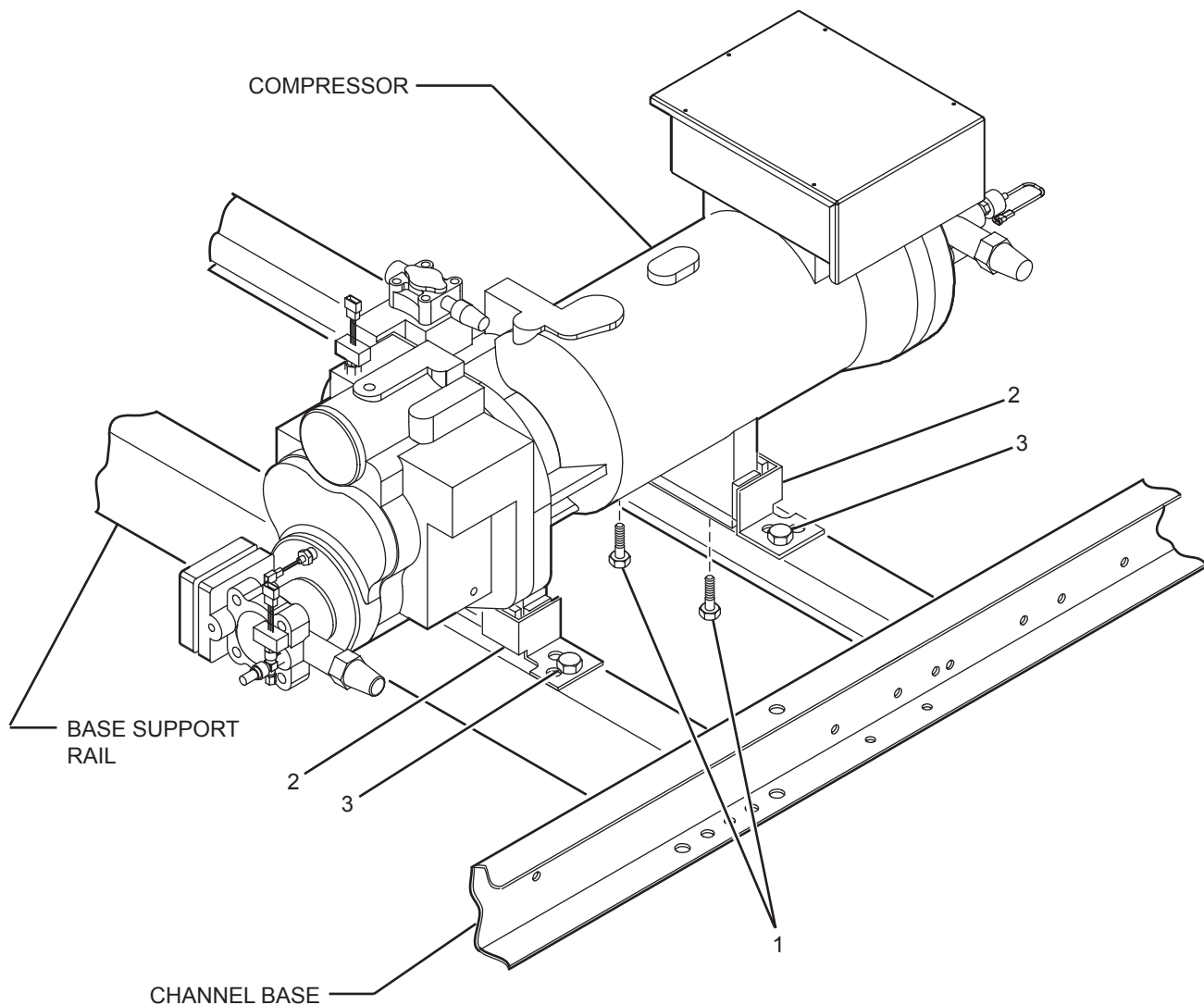
COMPRESSOR FEET BOLT REMOVAL

After the chiller is placed in the final location, remove the four bolts, 1, attaching the compressor feet to the frame rails. These bolts are only used for shipping purposes. The bolts are screwed into the compressor feet from the bottom side of the frame rail. Refer to Figure 5.

After the four shipping bolts are removed from the compressor feet, the compressor will be held in place by the four corner brackets, 2.

This assembly reduces compressor noise by isolating the compressor from the base rails.

DO NOT remove the four 3/8" bolts, 3, mounting the corner brackets, 2, to the frame rails.



LD09131

FIG. 5 – COMPRESSOR MOUNTING

VIBRATION ISOLATORS

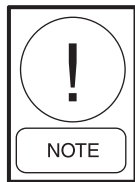
Optional sets of vibration isolators can be supplied loose with each unit.

Using the Isolator tables, refer to the *Technical Data Section*, identify each mount and its correct location on the unit.

Installation

Place each mount in its correct position and lower the unit carefully onto the mounts ensuring the mount engages in the mounting holes in the unit base frame.

On adjustable mounts, transfer the unit weight evenly to the springs by turning the mount adjusting nuts (located just below the top plate of the mount) counter-clockwise to raise and clockwise to lower. This should be done two turns at a time until the top plates of all mounts are between 1/4" and 1/2" (6 and 12 mm) clear of top of their housing and the unit base is level.



A more detailed installation instruction is provided in the Installation Instructions for VMC Series AWR/AWMR and CP Restrained Mountings Section of this manual, (page 107).

SHIPPING BRACES

The chiller's modular design does not require shipping braces.

PIPEWORK CONNECTION

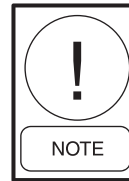
General Requirements

The following piping recommendations are intended to ensure satisfactory operation of the unit(s). Failure to follow these recommendations could cause damage to the unit, or loss of performance, and may invalidate the warranty.



The maximum flow rate and pressure drop for the evaporator must not be exceeded at any time. Refer to the Technical Data Section for details.

The liquid must enter the evaporator at the inlet connection. The inlet connection for the evaporator is at the far end of the unit when viewed from the power and control panels.



Water inlet is always nearest the suction gas outlet on the DX evaporators. (chiller barrel)

A flow switch must be installed in the customer pipework at the outlet of the evaporator and wired back to the control panel using shielded cable. There should be a straight run of piping of at least 5 pipe diameters on either side. The flow switch should be wired to Terminals 13 and 14 (see Figs. 13 and 14, pages 40 and 41). A flow switch is required prevent damage to the evaporator caused by the unit operating without adequate liquid flow.

The flow switch used must have gold plated contacts for low voltage/current operation. Paddle type flow switches suitable for 150 PSIG (10 bar) (optional 300 PSIG) working pressure and having a 1" N.P.T. connection can be obtained from YORK as an accessory for the unit. Alternatively a differential pressure switch sited across an orifice plate may be used, preferably of the high/low limit type.

The chilled liquid pump(s) installed in the pipework system(s) should discharge directly into the unit evaporator section of the system. The pump(s) may be controlled external to the unit - but an override must be wired to the control panel so that the unit can start the pump in the event that the liquid temperature falls below the minimum setting. For details refer to "Electrical Connection."

Pipework and fittings must be separately supported to prevent any loading on the evaporator. Flexible connections are recommended which will also minimize transmission of vibrations to the building. **Flexible connections must be used if the unit is mounted on anti-vibration mounts as some movement of the unit can be expected in normal operation.**

Pipework and fittings immediately next to the evaporator should be readily de-mountable to enable cleaning before operation, and to facilitate visual inspection of the exchanger nozzles.

The evaporator must be protected by a strainer, preferably of 30 mesh, fitted as close as possible to the liquid inlet connection, and provided with a means of local isolation.

The evaporator must not be exposed to flushing velocities or debris released during flushing. It is recommended that a suitably sized by-pass and valve arrangement is installed to allow flushing of the pipework system. The by-pass can be used during maintenance to isolate the heat exchanger without disrupting flow to other units.

Thermometer and pressure gauge connections should be provided on the inlet and outlet connections of each evaporator.

Drain and air vent connections should be provided at all low and high points in the pipework to permit drainage of the system and to vent any air in the pipes.

Liquid systems at risk of freezing, due to low ambient temperatures, should be protected using insulation and heater tape and/or a suitable glycol solution. The liquid pump(s) must also be used to ensure liquid is circulated when the ambient temperature approaches freezing point. Insulation should also be installed around the evaporator nozzles. Heater tape of 21 watts per meter under the insulation is recommended, supplied independently and controlled by an ambient temperature thermostat set to switch on at 37°F (21°C) above the freezing temperature of the liquid.

The liquid circulation pump must be controlled by the unit. This will ensure that when the liquid temperature falls within 3° or 5°F (2° or 3°C) of freezing, the pump will start.

The evaporator is protected by heater mats under the insulation which are supplied from the unit control system power supply. During risk of freezing the control system should be powered to provide the freeze protection function unless the liquid systems have been drained.



Any debris left in the water pipework between the strainer and evaporator could cause serious damage to the tubes in the evaporator and must be avoided. The installer/user must also ensure that the quality of the water in circulation is adequate, without any dissolved gases which can cause oxidation of steel parts within the evaporator.

WATER TREATMENT

The unit performance given in the Design Guide is based on a fouling factor of 0.00025 ft²hr°F/Btu (0.044m²/hr °C/kW). Dirt, scale, grease and certain types of water treatment will adversely affect the heat exchanger surfaces and therefore unit performance. Foreign matter in the water system(s) can increase the heat exchanger pressure drop, reducing the flow rate and causing potential damage to the heat exchanger tubes.

Aerated, brackish or salt water is not recommended for use in the water system(s). YORK recommends that a water treatment specialist is consulted to determine the proposed water composition will not affect the evaporator materials of carbon steel and copper. The pH value of the water flowing through the evaporator must be kept between 7 and 8.5.

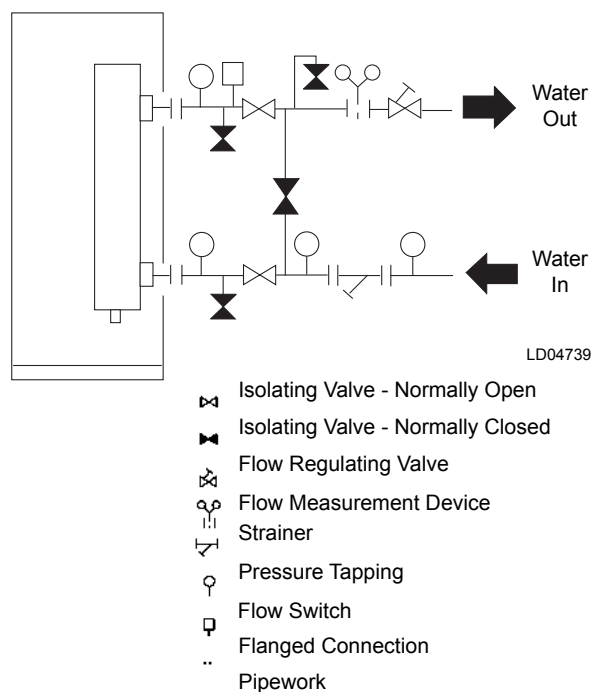


FIG. 6 – PIPEWORK ARRANGEMENT

PIPEWORK ARRANGEMENT

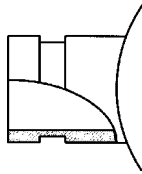
Figure #6 shows the suggested pipework arrangement for single unit installations. For multiple unit installations, each unit should be piped as shown.

CONNECTION TYPES & SIZES

For connection sizes relevant to individual models refer to the Technical Data Section.

EVAPORATOR CONNECTIONS

Standard chilled liquid connections on all evaporators are of the Victaulic Groove type.

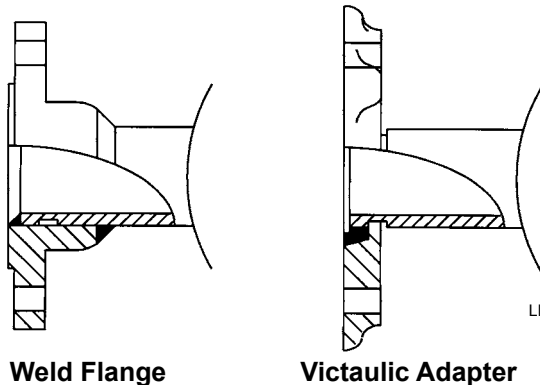


LD03521

FIG. 7 – VICTAULIC GROOVE

Optional Flanges

One of two types of flanges may be fitted depending on the customer or local Pressure Vessel Code requirements. These are Victaulic-Adapter flanges, normally supplied loose, or weld flanges which may be supplied loose or ready fitted. Victaulic-Adapter and weld flange dimensions are to ISO 7005 - NP10.



LD03523

FIG. 8 – FLANGE ATTACHMENTS

REFRIGERANT RELIEF VALVE PIPING

Evaporators and oil separators are each protected against internal refrigerant overpressure by refrigerant relief valves. For evaporators, a pressure relief valve is mounted on each of the main refrigerant lines connecting the evaporator to the compressors.

It is recommended that a piece of pipe is fitted to each valve and directed so that if the valve is activated, the release of high pressure gas and liquid cannot be a danger or cause injury. For indoor installations pressure relief valves should be piped to the exterior of the building.

The size of any pipework attached to a relief valve must be of sufficient diameter so as not to cause resistance to the operation of the valve. Unless otherwise specified by local regulations, internal diameter depends on the length of pipe required and is given by the following formula:

$$D^5 = 1.447 \times L$$

Where:

D = minimum pipe internal diameter in cm

L = length of pipe in meters

If relief pipework is common to more than one valve its cross sectional area must be at least the total required by each valve. Valve types should not be mixed on a common pipe. Precautions should be taken to ensure that the outlet of relief valves/vent pipe remain clear of obstructions at all times.

DUCTWORK CONNECTION

General Requirements

The following ductwork recommendations are intended to ensure satisfactory operation of the unit. Failure to follow these recommendations could cause damage to the unit, or loss of performance, and may invalidate the warranty.

When ducting is to be fitted to the fan discharge it is recommended that the duct should be the same cross sectional area as the fan outlet and straight for at least three feet (1 meter) to obtain static regain from the fan.

Ductwork should be suspended with flexible hangers to prevent noise and vibration being transmitted to the structure. A flexible joint is also recommended between the duct attached to the fan and the next section for the same reason. Flexible connectors should not be allowed to concertina.

The unit is not designed to take structural loading. No significant amount of weight should be allowed to rest on the fan outlet flange, deck assemblies or condenser coil module. No more than 3 feet (1 meter) of light construction ductwork should be supported by the unit. Where cross winds may occur, any ductwork must be supported to prevent side loading on the unit.

If the ducts from two or more fans are to be combined into a common duct, back-flow dampers should be fitted in the individual fan ducts. This will prevent recirculation of air when only one of the fans is running.

Units are supplied with outlet guards for safety and to prevent damage to the fan blades. If these guards are removed to fit ductwork, adequate alternative precautions must be taken to ensure persons cannot be harmed or put at risk from rotating fan blades.

ELECTRICAL CONNECTION

The following connection recommendations are intended to ensure safe and satisfactory operation of the unit. Failure to follow these recommendations could cause harm to persons, or damage to the unit, and may invalidate the warranty.



No additional controls (relays, etc.) should be mounted in the control panel. Power and control wiring not connected to the control panel should not be run through the control panel. If these precautions are not followed it could lead to a risk of electrocution. In addition, electrical noise could cause malfunctions or damage the unit and its controls.



After connection do not switch on main power to the unit. Some internal components are live when main power is switched on and this must only be done by Authorized persons.

POWER WIRING

All electrical wiring should be carried out in accordance with local regulations. Route properly sized cables to cable entries on both sides of the unit.

In accordance with U.L. Standard it is the responsibility of the user to install overcurrent protection devices between the supply conductors and the power supply terminals on the unit.

To ensure that no eddy currents are set up in the power panel, the cables forming each 3-phase power supply must enter via the same cable entry.



All sources of supply to the unit must be taken via a common point of isolation (not supplied by YORK).

STANDARD UNITS WITH MULTI POINT POWER SUPPLY WIRING

Standard units require two 3-phase separately fused 3-wire supplies plus a ground per refrigerant system. One supply to be connected to each of the power panels.

Connect each of the main 3-phase supplies to the circuit breakers, non-fused disconnect switches or terminal boards located in the power panels using lug sizes detailed in the Technical Data Section.

Connect the ground wires to the main protective ground terminals in each power panel.

Units with Single-Point Power Supply Wiring

Units require only one 3-phase supply plus ground.

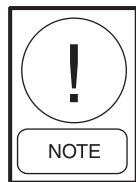
Connect the 3-phase supplies to the terminal block or non-fused disconnect switch/circuit breaker located in the options panel using lug sizes detailed in the Technical Data Section.

Connect a ground wire to the main protective ground terminal.

115VAC CONTROL SUPPLY TRANSFORMER

A 3-wire high voltage to 115VAC supply transformer is standard in the chiller. This transformer steps down the high voltage supply to 115VAC to be used by the Micro Panel, Power Panel components, solenoids, heaters, etc.

The high voltage for the transformer primary is taken from the chiller input to one of the systems. Fusing is provided for the transformer.



It is important to check that the correct primary tapping has been used and that it conforms to the site high voltage supply.



Removing high voltage power to the chiller will remove the 115VAC supply voltage to the microprocessor circuitry and the evaporator heater. In cold weather, this could cause serious damage to the chiller due to evaporator freeze-up. Do not remove power unless alternate means are taken to assure operation of the evaporator heater.

Remote Emergency Stop Device

If required, a remote emergency stop device can be wired into the unit. The device should be wired into terminals 31 and 32 (Figs. 13 and 14, pages 40 and 41.) in the microprocessor control panel.

CONTROL PANEL WIRING

All wiring to the control panel terminal block terminals 13-19 is nominal 30VDC and must be run in shielded cable, with the shield grounded at the panel end only. Run shielded cable separately from mains cables to avoid electrical noise pick-up. Use the control panel cable entry to avoid the power cables.

The voltage free contacts supplied must be suitable for 30VDC (gold contacts recommended). If the voltage free contacts are from a relay or contactor, the coil of the device must be suppressed using a standard R/C suppressor. The above precautions must be taken to avoid electrical noise which could cause a malfunction or damage to the unit and its controls.

The length of cable to these terminals must not exceed 25 ft. (7.5 m) unless an isolator is fitted.

VOLTS FREE CONTACTS

Chilled Liquid Pump Starter

Terminals 25 and 26 (Figs. 13 and 14, pages 40 and 41) close to start the chilled liquid pump. This contact can be used as a master start/stop for the pump in conjunction with the daily start/stop schedule. See Section 8.1.15.

Run Contact

Terminals 29 and 30 (Figs. 13 and 14, pages 40 and 41) close to indicate that a system is running.

Alarm Contacts

Each system has a voltage-free change over contact which will operate to signal an alarm condition whenever a system locks out, or there is a power failure. To obtain system alarm signal, connect the alarm circuit to volt free terminals 23 and 24 (Figs. 13 and 14, pages 40 and 41) for No. 1 System and to terminals 27 and 28 (Figs. 13 and 14) for No. 2 System.

SYSTEM INPUTS

Flow Switch

A chilled water flow switch, (either by YORK or others) MUST be installed in the leaving water piping of the evaporator. There should be a straight horizontal run of at least 5 diameters on each side of the switch. Adjust the flow switch paddle to the minimum flow allowed through the evaporator. (See manufacturer's instructions furnished with the switch.) The switch is to be wired to terminals 13 - 14 of CTB1 located in the control panel, as shown on the unit wiring diagram.

Remote Run / Stop

Connect remote switch(es) in series with the flow switch to provide remote run/stop control if required.

Remote Print

Closure of suitable contacts connected to terminals 13 and 18 (Figs. 13 and 14, pages 40 and 41) will cause a hard copy printout of Operating Data/Fault History to be made if an optional printer is connected to the RS 232 port.

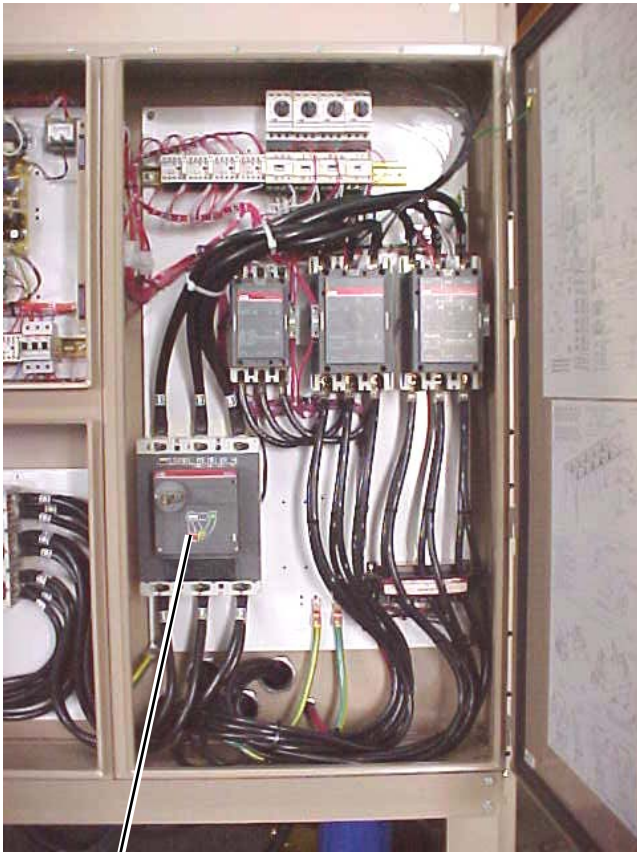
Remote Setpoint Offset – Temperature

Timed closure of suitable contacts connected to terminals 13 and 17 (PWM contacts) will provide remote offset function of the chilled liquid set point if required. See Figs. 13 and 14, pages 40 and 41 for contact location.

Remote Setpoint Offset – Current

Timed contact closure of a suitable contact connected to terminals 13 and 16 (PWM contacts) will provide remote offset of EMS% CURRENT LOAD LIMIT. See Figs. 13 and 14, pages 40 and 41 for contact location.

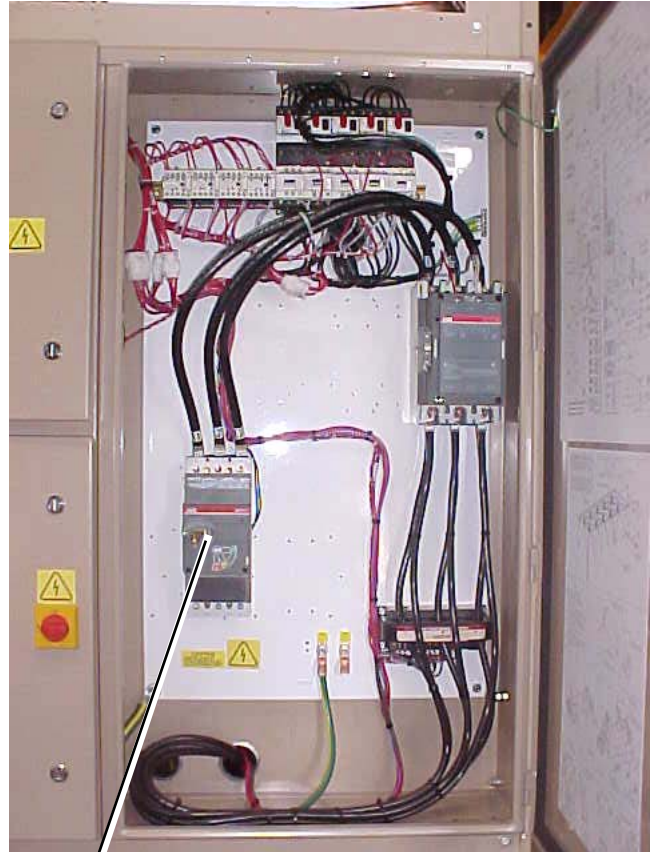
POWER PANEL LAYOUTS (TYPICAL)



028972-G

OPTIONAL DISCONNECT SWITCH

(WYE-DELTA - TYPICAL)



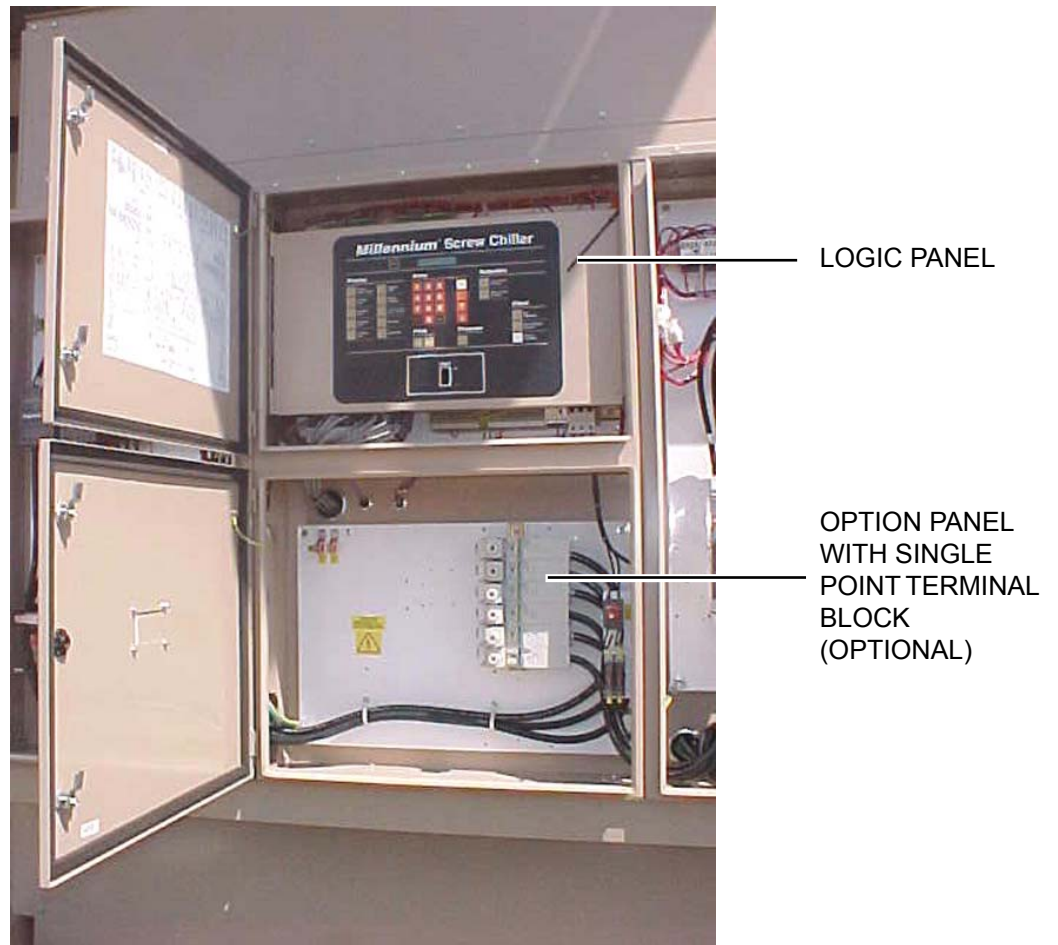
028973-G

OPTIONAL CIRCUIT BREAKER SWITCH

(ACROSS THE LINE - TYPICAL)

FIG. 9 – POWER PANEL SECTION

OPTION PANEL LAYOUT (TYPICAL)



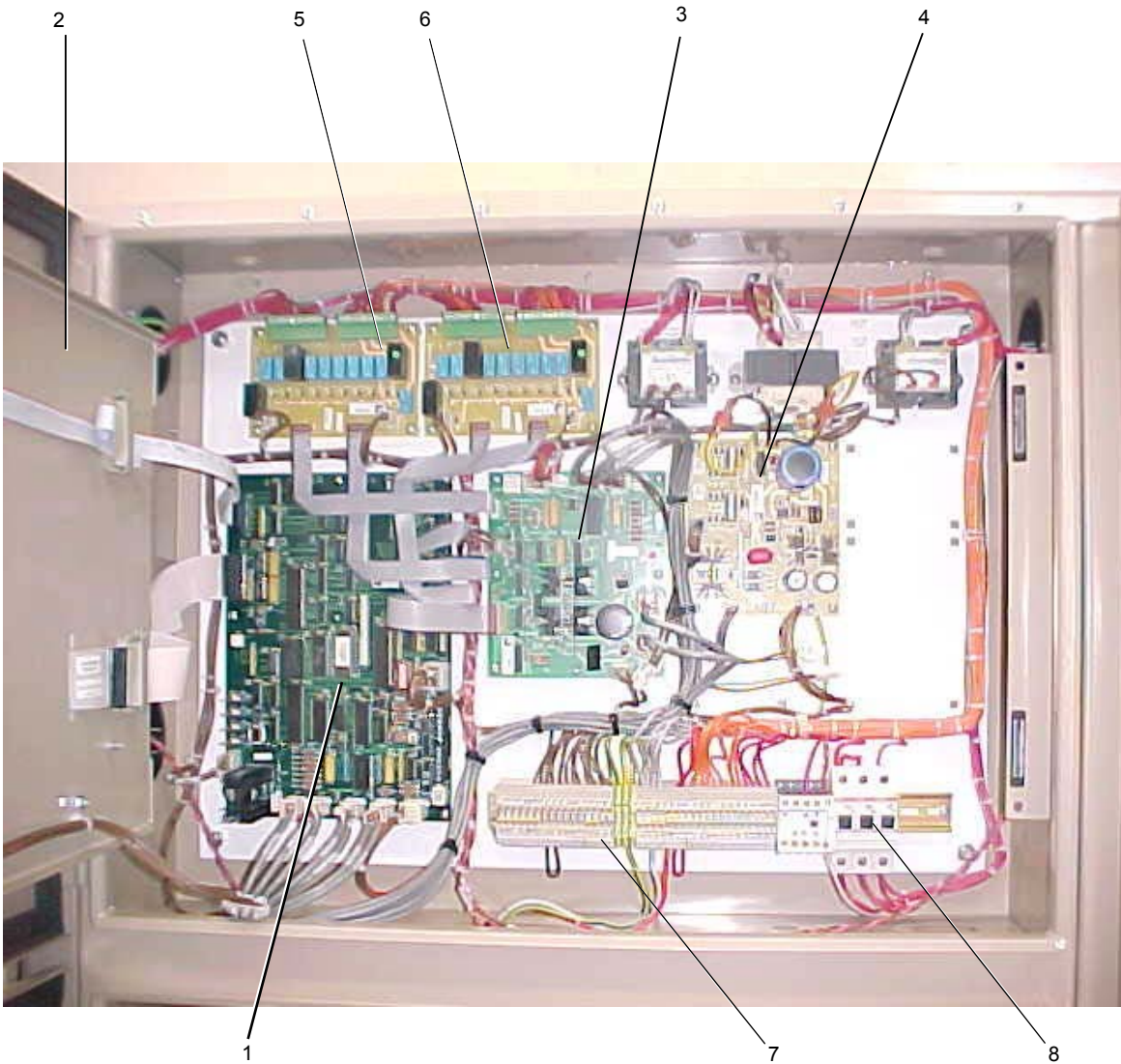
00246VIP

FIG. 10 – OPTION PANEL SECTION

YORK INTERNATIONAL

LOGIC SECTION LAYOUT

60 Hz Models:



028975-G

**PHOTOGRAPH OF
60 HZ MODEL LOGIC SECTION**

ITEM	DESCRIPTION
1	Microprocessor Board
2	Back of Display
3	I/O Expansion Board #1
4	Power Supply Board
5	Relay Output Board #1
6	Relay Output Board #2
7	Flow Switch & Customer Connection Terminals
8	Circuit Breakers CB1, CB2, CB3

FIG. 11 – LOGIC SECTION LAYOUT

LOGIC SECTION LAYOUT WITH CONTROL PANEL

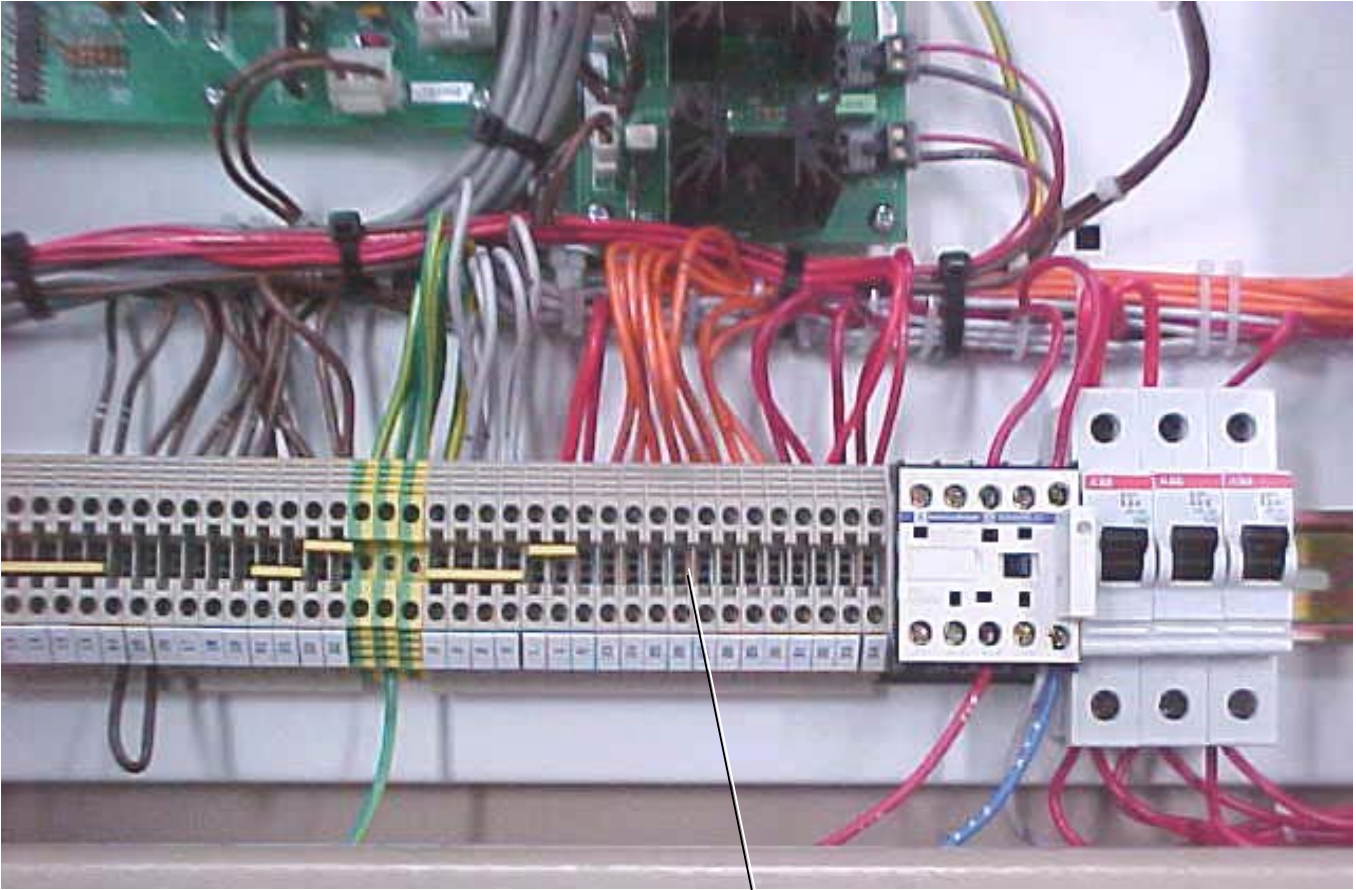


4

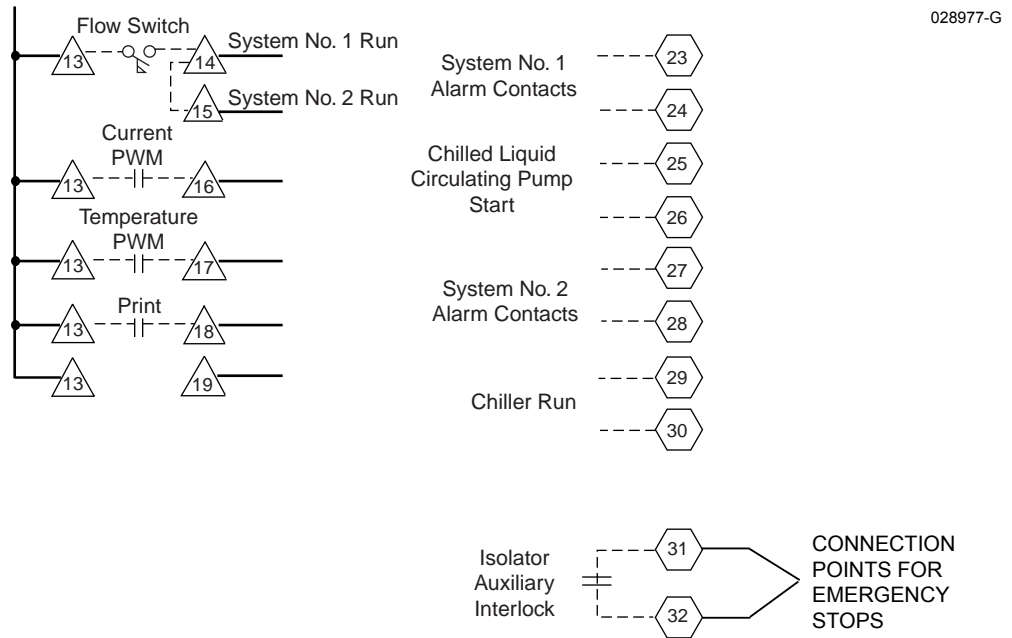
028976-G

FIG. 12 – LOGIC SECTION LAYOUT WITH CONTROL PANEL

CUSTOMER CONNECTIONS



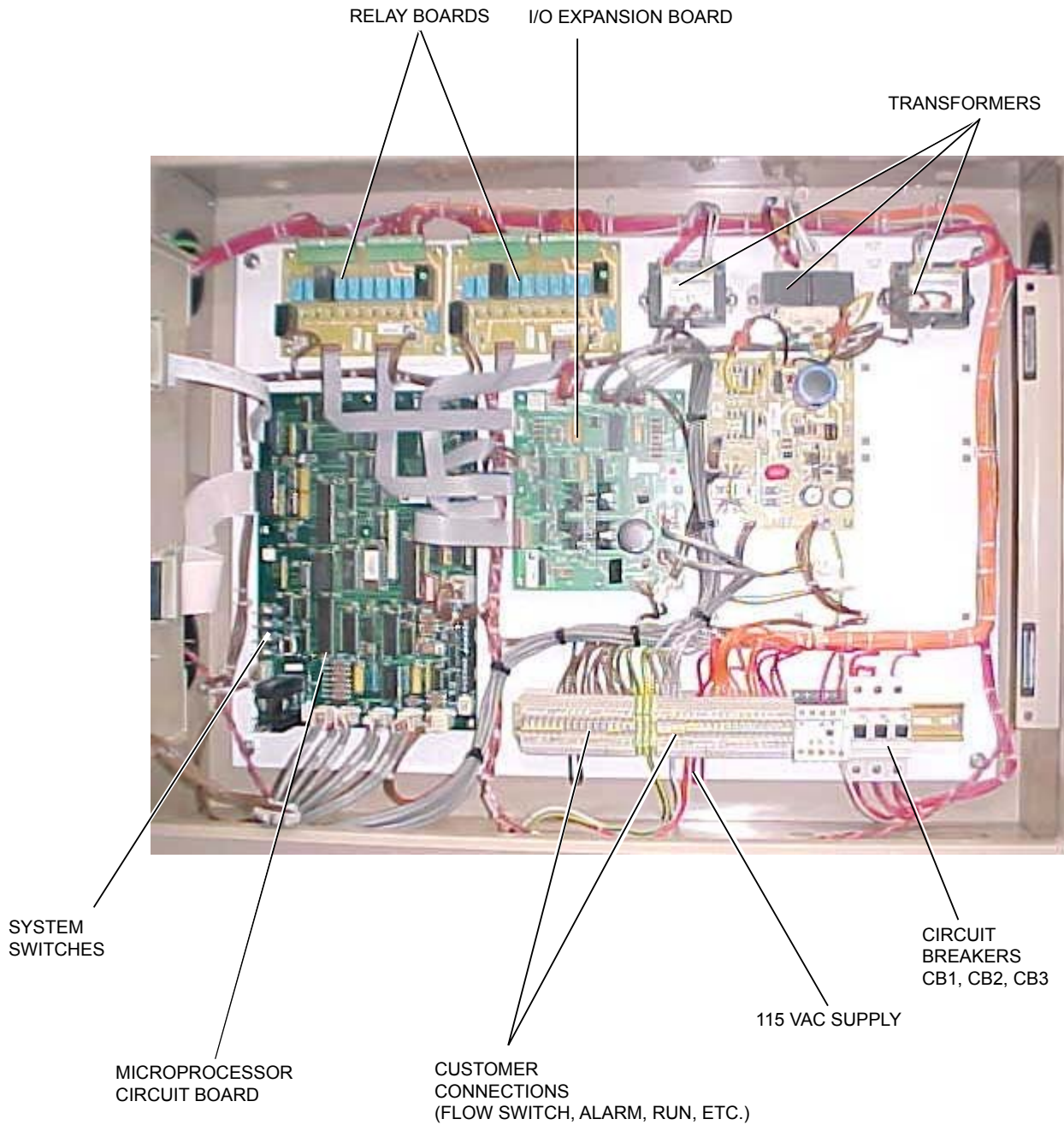
TERMINALS 13-34



LD03502

FIG. 13 – CUSTOMER CONNECTIONS

CUSTOMER CONNECTIONS



4

FIG. 14 – CUSTOMER CONNECTIONS

YORK INTERNATIONAL

2028978-G

COMMISSIONING

PREPARATION



Commissioning of this unit should only be carried out by YORK Authorized personnel.

The Millennium Microcomputer Control System Operating Instructions must be read in conjunction with this section.

PREPARATION – POWER OFF

The following checks should be made with the customer supply/supplies to the unit switched OFF.

Inspection

Inspect unit for installation damage. If damage is found take action and/or repair as appropriate.

Refrigerant Charge

Units are normally shipped as standard with a full refrigerant operating charge. Check that refrigerant pressure is present in both systems and that no leaks are apparent. If no pressure is present a leak test must be undertaken. The leak(s) should be located and repaired. Repaired systems and units supplied with a nitrogen holding charge must be evacuated with a suitable vacuum pump/recovery unit as appropriate to below 100 microns.

Do not liquid charge with static water in the evaporator. Care must also be taken to liquid charge slowly to avoid excessive thermal stress at the charging point. Once the vacuum is broken, charge into the condenser coils with the full operating charge as given in the Technical Data Section.

Valves

Open each compressor suction, economizer, and discharge valve fully (counter-clockwise) then close one turn of the stem to ensure operating pressure is fed to the pressure transducers. Open the liquid line service valve fully and ensure the oil return line ball valve is open in each system.

Compressor Oil

To add oil to a circuit - connect a YORK hand oil pump (Part No. 470-10654-000) to the 1/4" oil charging valve on the oil separator piping with a length of clean hose

or copper line, but do not tighten the flare nut. Using clean oil of the correct type ("L" oil), pump oil until all air has been purged from the hose then tighten the nut. Stroke the oil pump to add oil to the oil system. The oil level should be between the middle of the lower and middle of the upper sight glasses of the oil separator. Approximately 5 gallons is present in the entire chiller system, with 1-2 gallons in the oil separator.

Fans

Check that all fans are free to rotate and are not damaged. Ensure blades are at the same height when rotated. Ensure fan guard is securely fixed.

Isolation/Protection

Verify that all sources of electrical supply to the unit are taken from a single point of isolation. Check that the maximum recommended fuse sizes given in the Technical Data Section have not been exceeded.

Control Panel

Check the panel to see that it is free of foreign materials (wire, metal chips, etc.) and clean out if required.

Power Connections

Check to assure the customer power cables are connected correctly. Ensure that connections of power cables within the panels to the circuit breakers, terminal blocks or switch disconnectors are tight.

Grounding

Verify that the unit's protective terminal(s) are properly connected to a suitable grounding point. Ensure that all unit internal ground connections are tight.

Overloads

Ensure that the fan overloads settings are correct for the type of fan fitted.

Supply Voltage

Verify that the site voltage supply corresponds to the unit requirement and is within the limits given in the Technical Data Section.

Control Transformer

The 3-wire control transformer is mounted external to the panel. It is important to check that the correct primary tapping has been used:

With the supply voltage to the unit turned off, remove the lid to the transformer box.

Check that the tapping used conforms to the site supply voltage. After the tapping is verified, replace the lid.

Switch Settings

Ensure that the unit ON/OFF switch on the display door and the micro board system switches S2 through S5 are set to “0” (OFF). Set the red handled emergency stop device on the options panel to “1” (ON). For units fitted with door interlocked circuit breakers the power panel doors must be closed and the devices set to “1” (ON). The customer’s power disconnection devices can now be set to ON.



The machine is now live!

The unit is fitted with an under voltage circuit in each panel and it may take between 5 to 10 seconds for its contacts to close and energize the unit’s electronics, including the display on the main panel.

Compressor Heaters

Verify the compressor heaters are energized. If the ambient temperature is above 96°F (36°C) the compressor heaters must be on for at least 8 hours before start-up to ensure all refrigerant liquid is driven out of the compressor. If the ambient temperature is below 86°F (30°C) then allow 24 hours.

Water System

Verify that the chilled liquid system has been installed correctly, and has been commissioned with the correct direction of water flow through the evaporator. The inlet should be at the refrigerant pipework connection end of the evaporator. Purge air from the top of the evaporator using the plugged air vent mounted on the top of the evaporator body. Flow rates and pressure drops must be within the limits given in the Technical Data Section. Operation outside of these limits is undesirable and could cause damage.

Flow Switch

Verify a chilled water flow switch is correctly fitted in the customer’s pipework on the evaporator outlet, and wired into the control panel correctly using shielded

cable. There should be a straight run of at least 5 pipe diameters on either side of the flow switch. The flow switch should be connected to terminals 13 and 14 in the micro panel (Figs. 13 and 14, pages 40 and 41).

Temperature Sensor(s)

Ensure the leaving liquid temperature sensor is coated with heat conductive compound (part no. 013-00890-000) and is inserted in the water outlet sensor pocket of the evaporator. This sensor also acts as the freeze protection thermostat sensor and must always be in the water OUTLET sensor pocket.

Control Supply

Verify the control panel display is illuminated.

Programmed Options

Verify that the options factory programmed into the Microcomputer Control Center are in accordance with the customer’s order requirements by pressing the ‘Options’ key on the keypad and reading the settings from the display.

Programmed Settings

Ensure the system cut-out and operational settings are in accordance with the instructions provided in Section 8 (page 166) and with the general chiller operational requirements by pressing the ‘Program’ key. The chilled liquid temperature control settings need to be set according to the unit model and required operating conditions.

Date and Time

Program the date and time by first ensuring that the CLK jumper J18 on the microprocessor board is in the ON position (top two pins). Then press the ‘Clock Set Time’ key and set the date and time. (See Section 7.)

Start/Stop Schedule

Program the daily and holiday start/stop by pressing the ‘Set Schedule/Holiday’ key. (See Section 7.)

Setpoint and Remote Offset

Set the required leaving chilled liquid temperature setpoint and control range. If remote temperature reset (offset) is to be used, the maximum reset must be programmed by pressing the ‘Remote Reset Temp’ key. (See Section 6.)

FIRST TIME START-UP

During the commissioning period there should be sufficient heat load to run the unit under stable full load operation to enable the unit controls, and system operation to be set up correctly and a commissioning log taken. Be sure that the Micro Panel is properly programmed (page 166) and the System Start-up Checklist (page 117) is completed.

Interlocks

Verify that liquid is flowing through the evaporator and that heat load is present. Ensure that any remote run interlocks are in the run position and that the run schedule requires the unit to run or is overridden.

System Switches

Place the 'Sys 1' switch on the microprocessor board to the 'ON' position – (Fig. 46, page 130).

Start-up

Remove the locking device from the unit Auto/OFF switch which prevents unauthorized starting of the unit before commissioning. Press the 'Status' key, then turn the unit switch to the "1" position to start the unit (there may be a few seconds delay before the first compressor starts because of the anti-recycle timer). Be ready when each compressor starts, to switch the unit OFF immediately if any unusual noises or other adverse conditions develop. Use the appropriate emergency stop device if necessary.

Oil Pressure

When a compressor starts, press the relevant 'System Pressures' key and verify that oil differential pressure develops immediately (Discharge Pressure minus Oil Pressure). If oil pressure does not develop, the automatic controls will shut down the compressor. Under no circumstances should a restart attempt be made on a compressor which does not develop oil pressure immediately. Switch the unit switch to the '0' position (OFF).

Refrigerant Flow

When a compressor starts, a flow of liquid refrigerant will be seen in the liquid line sight glass. After several minutes operation and providing a full charge of refrigerant is in the system, the bubbles will disappear and be replaced by a solid column of liquid.

Fan Rotation

As discharge pressure rises, the condenser fans operate in stages to control the pressure. Verify that the fan operation is correct for the type of unit.

Suction Superheat

Check suction superheat at steady full compressor load only. Measure suction temperature on the copper line about 6" (150 mm) before the compressor suction service valve. Measure suction pressure at the compressor service valve. Superheat should be 10°F to 12°F (5.6°C to 6.7°C).

Expansion Valve

The electronic expansion valves are factory set and should not need adjustment.

Economizer Superheat**(Not all models are equipped with economizers)**

Check economizer superheat at steady full compressor load only, under conditions when the economizer solenoid is energized. (See Section 1.22, page 134) Measure gas temperature on the economizer outlet pipe next to the expansion valve bulb. Measure gas pressure at the back seat port of the economizer service valve. Superheat as measured should be 10°F to 12°F (5.6°C to 6.7°C).

Subcooling

Check liquid subcooling at steady full compressor load only. It is important that all fans are running for the system. Measure liquid line temperature on the copper line beside the main liquid line service valve. Measure liquid pressure at the liquid line service valve. Subcooling should be 12°F to 15°F (6.7°C to 8.3°C). No bubbles should show in the sight glass. If subcooling is out of range add or remove refrigerant as required. Do not overcharge the unit. The liquid flow to the main evaporator TXV is subcooled further by the economizer, increasing subcooling to between 22°F and 28°F (12°C and 15°C) at ambients above 90°F.

General Operation

After completion of the above checks for System 1, stop the unit, switch OFF the 'SYS 1' switch on the main panel microprocessor board and repeat the process for each subsequent system. When all run correctly, stop the unit, switch all applicable switches to the 'ON' position and restart the unit.

This page intentionally left blank.

OPERATION

GENERAL DESCRIPTION

The units are designed to work independently, or in conjunction with other equipment via a YORK ISN building management system or other automated control system. When operating, the unit controls monitor the chilled liquid system temperature at the unit and take the appropriate action to maintain this temperature within desired limits. This action will involve running one or more compressors at a suitable load step to match the cooling effect of the refrigerating systems to the heat load on the liquid system. The heat removed from the chilled liquid is then rejected from the air cooled condenser coils.

The following sections give an overview of the operation of the unit. For detailed information, reference should be made to the Chiller Control Panel Programming and Data Access Operating Instructions for the unit (pages 122 - 192).

START-UP

Check the main power supplies to the unit are 'ON', all refrigerant service valves are open (counter-clockwise one turn short of fully open) and chilled liquid flow has been established (unless the unit chilled liquid pump start control is being used, in which case just ensure the pump supply is on). Ensure only the correct system switches (SYS 1-2) on the microprocessor circuit board are in the 'ON' position.

Press the 'STATUS' key on the keypad and then switch the unit ON/OFF switch below the keypad to the ON position.

The controller will perform a pre-check to ensure that the daily/holiday schedule and any remote interlocks will allow the unit to run, all safety cut-outs are satisfied and that cooling load is required (i.e. that the chilled liquid temperature is outside the set limits). Any problems found by the pre-check will be displayed if present. If no problems are present and cooling duty is required the lead compressor will start.

The display will show the anti-coincidence timer status for the lag compressor, followed by 'NO COOL LOAD' until it is called to operate by the control system.

NORMAL RUNNING AND CYCLING

Once the unit has been started, all operations are fully automatic. After an initial period at minimum capacity on the lead compressor, the control system will adjust the unit load depending on the chilled liquid temperature and rate of temperature change. If high heat load is present, the controller will increase the capacity of the lead compressor and/or start-up the other compressor.

If very little heat load is present, the lead compressor will continue at minimum capacity or may simply stop again to avoid overcooling the liquid. If the latter is the case, one compressor will restart automatically should the liquid temperature rise again.

Once a compressor is running, discharge pressure rises as refrigerant is pumped into the air cooled condenser coils. This pressure is controlled by stages of fans to ensure maximum unit efficiency while maintaining sufficient pressure for correct operation of the condensers and expansion valves.

When a compressor is running, the controller monitors oil pressure, motor current, and various other system parameters such as discharge pressure, chilled liquid temperature, etc. Should any problems occur, the control system will immediately take appropriate action and display the nature of the fault (Section 8).

SHUTDOWN

The unit can be stopped at any time by switching the UNIT ON/OFF switch just below the keypad to the OFF position. The compressor heater will energize to prevent refrigerant condensing in the compressor rotors. If ambient temperatures are low, the evaporator heater mats will also energize to prevent the possibility of liquid freezing in the vessels. The mains power to the unit should not normally be switched OFF, even when the unit is not required to run.

The system switches (S2-S5) on the microboard can be used to cycle a system OFF. An automatic pumpdown will occur using the system switches.

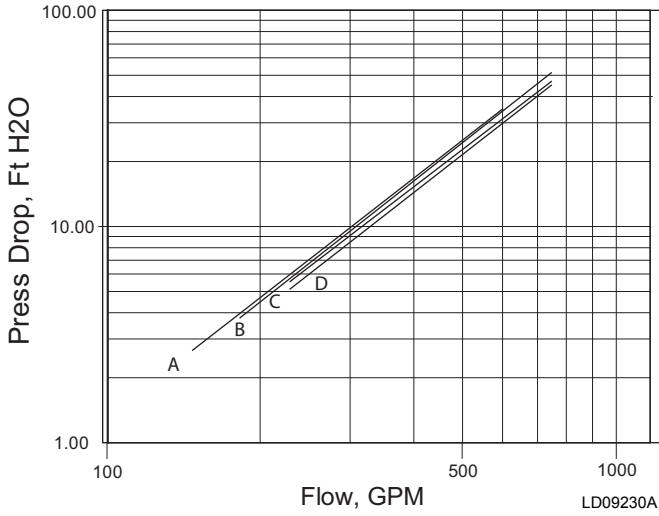
If mains power must be switched OFF, (for extended maintenance or a shutdown period), the compressor suction, discharge and motor cooling service stop valves should be closed (clockwise) and if there is a possibility of liquid freezing due to low ambient temperatures, the evaporators should be drained. Valves should be opened and power must be switched on for at least 8 Hours (36 Hours if ambient temperature is over 86°F [30°C]) before the unit is restarted.

This page intentionally left blank.

TECHNICAL DATA

FLOW RATE AND PRESSURE DROP CHARTS EVAPORATOR WATER PRESSURE DROP (ENGLISH UNITS)

YCAS0130 - 0230

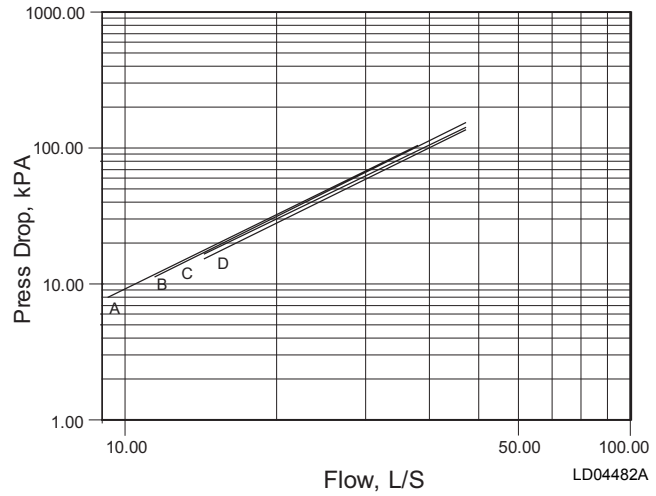


MODEL NUMBER YCAS	EVAPORATOR
0130, 0140	A
0150, 0160, 0170, 0180,	B
0200, 0210,	C
0230	D

Pressure Conversion : Ft H2O = 2.3 x PSI

EVAPORATOR WATER PRESSURE DROP (SI UNITS)

YCAS0130 - 0230



MODEL NUMBER YCAS	EVAPORATOR
0130, 0140	A
0150, 0160, 0170, 0180,	B
0200, 0210,	C
0230	D

FIG. 15 – FLOW RATE AND PRESSURE DROP CHARTS

GLYCOL CORRECTION FACTORS

The evaporator is designed in accordance with ARI-590-92 which allows for an increase in pressure drop of up to 15% above the design value given above. Debris in the water may also cause additional pressure drop.

When using glycol solutions, pressure drops are higher than with water (see correction factors to be applied when using glycol solutions).

A = Correction Factor

B = Mean Temperature through Evaporator (°C)

C = Concentration W/W (%)



Excessive flow, above the max GPM, will damage the evaporator.

GLYCOL CORRECTION EXAMPLE: (With YCAS0140)

- RWT = 36°F LWT = 28°F
- Average Water Temperature = 32°F (= 0°C)
- For 30% Propylene Glycol: From Graph, Find Correction Factor = 1.3 @ 0°C and 30%
- Actual Measured ΔP = 12' H₂O
- Corrected ΔP = 12'/1.3 = 9.2' H₂O
- From Flow Rate and Pressure Drop Chart, locate flow @ 9.2' ≈ 300 GPM

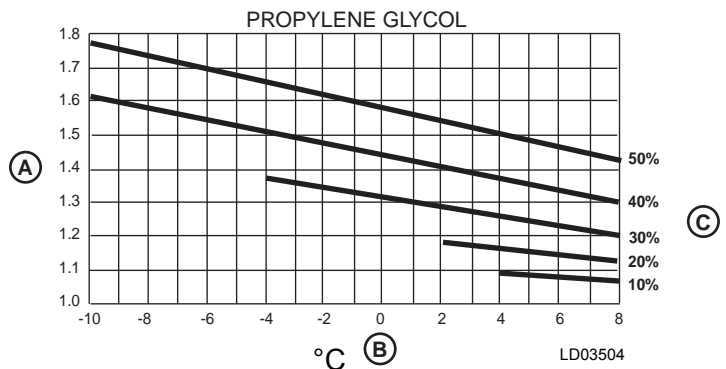
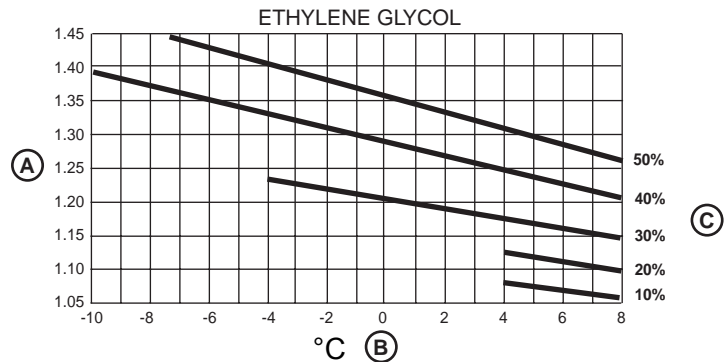


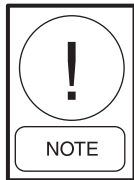
FIG. 16 – GLYCOL CORRECTION FACTORS

TEMPERATURE AND FLOWS (ENGLISH UNITS)

MODEL NUMBER YCAS	LEAVING WATER TEMPERATURE (°F)		EVAPORATOR FLOW (GPM ³)		AIR ON CONDENSER (°F)	
	MIN. ¹	MAX. ²	MIN.	MAX.	MIN.	MAX
0130EC	40	55	138	525	0	125
0140EC	40	55	138	525	0	125
0150EC	40	55	200	600	0	125
0160EC	40	55	200	600	0	125
0170EC	40	55	200	600	0	125
0180EC	40	55	200	600	0	125
0200EC	40	55	250	750	0	125
0210EC	40	55	250	750	0	125
0230EC	40	55	250	750	0	125

NOTES:

1. For leaving brine temperature below 40°F (4.4°C), contact your nearest YORK office for application requirements.
2. For leaving water temperature higher than 55°F (12.8°C), contact the nearest YORK office for application guidelines.
3. The evaporator is protected against freezing to -20°F (-28.8°C) with an electric heater as standard.



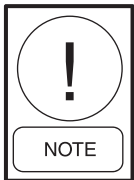
***Excessive flow, above the max GPM,
will damage the evaporator.***

TEMPERATURE AND FLOWS (SI UNITS)

MODEL NUMBER YCAS	LEAVING WATER TEMPERATURE (°C)		Evaporator FLOW (l/s ³)		AIR ON CONDENSER (°C)	
	MIN. ¹	MAX. ²	MIN.	MAX.	MIN.	MAX
0130EC	4.4	12.8	8.7	33.1	-17.7	51.7
0140EC	4.4	12.8	8.7	33.1	-17.7	51.7
0150EC	4.4	12.8	12.6	37.9	-17.7	51.7
0160EC	4.4	12.8	12.6	37.9	-17.7	51.7
0170EC	4.4	12.8	12.6	37.9	-17.7	51.7
0180EC	4.4	12.8	12.6	37.9	-17.7	51.7
0200EC	4.4	12.8	15.8	47.3	-17.7	51.7
0210EC	4.4	12.8	15.8	47.3	-17.7	51.7
0230EC	4.4	12.8	15.8	47.3	-17.7	51.7

NOTES:

1. For leaving brine temperature below 40°F (4.4°C), contact your nearest YORK office for application requirements.
2. For leaving water temperature higher than 55°F (12.8°C), contact the nearest YORK office for application guidelines.
3. The evaporator is protected against freezing to -20°F (-28.8°C) with an electric heater as standard.



***Excessive flow, above the max GPM,
will damage the evaporator.***

PHYSICAL DATA ENGLISH UNITS

	MODEL NUMBER YCAS								
	0130EC	0140EC	0150EC	0160EC	0170EC	0180EC	0200EC	0210EC	0230EC
General Unit Data									
Unit Capacity at ARI Conditions, Tons	121.1	130.1	145.3	157.1	164.3	171.6	186.7	194.8	209.1
Number of Independent Refrigerant Circuits	2	2	2	2	2	2	2	2	2
Refrigerant Charge, R-22, Ckt.-1 / Ckt.-2, lbs.	180 / 180	180 / 180	180 / 190	190 / 190	190 / 190	190/190	220/220	220/220	220/220
Oil Charge, Ckt.-1 / Ckt.-2, gallons	5 / 5	5 / 5	5 / 5	5 / 5	5 / 5	5 / 5	5 / 5	5 / 5	5 / 5
Shipping Weight:									
Aluminum Fin Coils, lbs.	9,888	10,110	10,599	10,583	10,694	10,805	11,849	11,970	12,081
Copper Fin Coils, lbs.	11,154	11,376	11,865	11,849	11,960	12,071	13,441	13,552	13,663
Operating Weight:									
Aluminum Fin Coils, lbs.	10,315	10,537	11,263	11,247	11,358	11,469	12,513	12,634	12,745
Copper Fin Coils, lbs.	11,581	11,803	12,529	12,513	12,624	12,735	14,105	14,216	14,327
Compressors, DXS Semihermetic Twin Screw									
Quantity per Chiller	2	2	2	2	2	2	2	2	2
Nominal Ton Size, Ckt.-1 / Ckt.-2	62 / 62	68 / 68	78 / 68	78 / 78	85 / 78	85/85	95/95	105/95	105/105
Refrigerant Economizer, Ckt.-1 / Ckt.-2	No / No	Yes / Yes	No / Yes	No / No	Yes / No	Yes / Yes	No / No	Yes / No	Yes / Yes
Condensers, High Efficiency Fin / Tube with Integral Subcooler									
Total Chiller Coil Face Area, ft ²	256	256	256	256	256	256	320	320	320
Number of Rows	3	3	3	3	3	3	3	3	3
Fins per Inch	13	13	13	13	13	13	13	13	13
CONDENSER FANS									
Number, Ckt.-1 / Ckt.-2	4 / 4	4 / 4	4 / 4	4 / 4	4 / 4	4 / 4	5 / 5	5 / 5	5 / 5
Standard Fans									
Fan Motor, HP / kW	2 / 1.8	2 / 1.8	2 / 1.8	2 / 1.8	2 / 1.8	2 / 1.8	2 / 1.8	2 / 1.8	2 / 1.8
Fan & Motor RPM	1140	1140	1140	1140	1140	1140	1140	1140	1140
Fan Diameter, inches	35.4	35.4	35.4	35.4	35.4	35.4	35.4	35.4	35.4
Fan Tip Speed, feet/min.	10,575	10,575	10,575	10,575	10,575	10,575	10,575	10,575	10,575
Total Chiller Airflow, CFM	114,400	114,400	114,400	114,400	114,400	114,400	143,000	143,000	143,000
Low Noise Fans									
Fan Motor, HP / kW	2 / 1.53	2 / 1.53	2 / 1.53	2 / 1.53	2 / 1.53	2 / 1.8	2 / 1.8	2 / 1.8	2 / 1.8
Fan & Motor Speed, RPM	840	840	840	840	840	1140	1140	1140	1140
Fan Diameter, inches	35.4	35.4	35.4	35.4	35.4	35.4	35.4	35.4	35.4
Fan Tip Speed, feet/min.	7,792	7,792	7,792	7,792	7,792	10,575	10,575	10,575	10,575
Total Chiller Airflow, cfm	112,400	112,400	112,400	112,400	112,400	114,400	143,000	143,000	143,000
High Static Fans									
Fan Motor, HP / kW	5 / 3.79	5 / 3.79	5 / 3.79	5 / 3.79	5 / 3.79	5 / 3.79	5 / 3.79	5 / 3.79	5 / 3.79
Fan & Motor RPM	1140	1140	1140	1140	1140	1,140	1,140	1,140	1,140
Fan Diameter, inches	35.4	35.4	35.4	35.4	35.4	35.4	35.4	35.4	35.4
Fan Tip Speed, feet/min.	10,575	10,575	10,575	10,575	10,575	10,575	10,575	10,575	10,575
Total Chiller Airflow, CFM (@0.4" additional static)	114,400	114,400	114,400	114,400	114,400	114,400	143,000	143,000	143,000
Evaporator, Direct Expansion									
Water Volume, gallons	53	53	55	55	55	55	79	79	79
Maximum ¹ Water Side Pressure, PSIG	150	150	150	150	150	150	150	150	150
Maximum Refrigerant Side Pressure, PSIG	350	350	350	350	350	350	350	350	350
Minimum Chilled Water Flow Rate, GPM	138	138	200	200	200	200	250	250	250
Maximum Chilled Water Flow Rate, GPM	525	525	600	600	600	600	750	750	750
Water Connections, inches	8	8	8	8	8	8	8	8	8

¹ Optional 300 PSIG Waterside available

PHYSICAL DATA SI UNITS

MODEL NUMBER YCAS									
	0130EC	0140EC	0150EC	0160EC	0170EC	0180EC	0200EC	0210EC	0230EC
General Unit Data									
Unit Capacity at 6.7°C water & 35°C ambient, kW	425.7	457.6	510.9	552.6	578.0	603.4	656.6	685.2	735.2
Number of Independent Refrigerant Circuits	2	2	2	2	2	2	2	2	2
Refrigerant Charge, R-22, Ckt.-1 / Ckt.-2, kg.	82 / 82	82 / 82	82 / 86	86 / 86	86 / 86	86 / 86	100 / 100	100 / 100	100 / 100
Oil Charge, Ckt.-1 / Ckt.-2, liters	19 / 19	19 / 19	19 / 19	19 / 19	19 / 19	19 / 19	19 / 19	19 / 19	19 / 19
Shipping Weight:									
Aluminum Fin Coils, kg.	4,484	4,585	4,807	4,800	4,850	4,900	5,374	5,429	5,479
Copper Fin Coils, kg.	5,059	5,159	5,381	5,374	5,424	5,474	6,096	6,146	6,196
Operating Weight:									
Aluminum Fin Coils, kg.	4,679	4,780	5,109	5,102	5,152	5,202	5,676	5,731	5,781
Copper Fin Coils, kg.	5,253	5,354	5,683	5,676	5,726	5,777	6,398	6,448	6,499
Compressors, DXS Semihermetic Twin Screw									
Quantity per Chiller	2	2	2	2	2	2	2	2	2
Nominal kW Size, Ckt.-1 / Ckt.-2	220 / 220	240 / 240	275 / 240	275 / 275	300 / 275	300/300	335/335	370/335	370/370
Refrigerant Economizer, Ckt.-1 / Ckt.-2	No / No	Yes / Yes	No / Yes	No / No	Yes / No	Yes / Yes	No / No	Yes / No	Yes / Yes
Condensers, High Efficiency Fin / Tube with Integral Subcooler									
Total Chiller Coil Face Area, m ²	23.78	23.78	23.78	23.78	23.78	23.78	29.73	29.73	29.73
Number of Rows	3	3	3	3	3	3	3	3	3
Fins per Meter	512	512	512	512	512	512	512	512	512
CONDENSER FANS									
Number, Ckt.-1 / Ckt.-2	4 / 4	4 / 4	4 / 4	4 / 4	4 / 4	4 / 4	5 / 5	5 / 5	5 / 5
Standard Fans									
Fan Motor, HP / kW	2 / 1.8	2 / 1.8	2 / 1.8	2 / 1.8	2 / 1.8	2 / 1.8	2 / 1.8	2 / 1.8	2 / 1.8
Fan & Motor Speed, rev./sec.	19.0	19.0	19.0	19.0	19.0	19.0	19.0	19.0	19.0
Fan Diameter, mm	900	900	900	900	900	900	900	900	900
Fan Tip Speed, m/sec.	40	40	40	40	40	54	54	54	54
Total Chiller Airflow, l/sec.	53,989	53,989	53,989	53,989	53,989	53,989	67,486	67,486	67,486
Low Noise Fans									
Fan Motor, HP / kW	2 / 1.53	2 / 1.53	2 / 1.53	2 / 1.53	2 / 1.53	2 / 1.53	2 / 1.53	2 / 1.53	2 / 1.53
Fan & Motor Speed, rev./sec.	14	14	14	14	14	14	14	14	14
Fan Diameter, mm	900	900	900	900	900	900	900	900	900
Fan Tip Speed, m/sec.	40	40	40	40	40	40	40	40	40
Total Chiller Airflow, l/sec.	53,045	53,045	53,045	53,045	53,045	53,045	66,307	66,307	66,307
High Static Fans									
Fan Motor, HP / kW	5 / 3.79	5 / 3.79	5 / 3.79	5 / 3.79	5 / 3.79	5 / 3.79	5 / 3.79	5 / 3.79	5 / 3.79
Fan Diameter, mm	900	900	900	900	900	19.0	19.0	19.0	19.0
Fan Tip Speed, m/sec.	54	54	54	54	54	900	900	900	900
Total Chiller Airflow, l/sec. (@0.4" additional static)	53,989	53,989	53,989	53,989	53,989	54	54	54	54
Fan & Motor Speed, rev./sec.	19.0	19.0	19.0	19.0	19.0	53,989	67,486	67,486	67,486
Evaporator, Direct Expansion									
Water Volume, liters	200	200	208	208	208	208	299	299	299
Maximum ¹ Water Side Pressure, Bar	10	10	10	10	10	10	10	10	10
Maximum Refrigerant Side Pressure, Bar	24	24	24	24	24	24	24	24	24
Minimum Chilled Water Flow Rate, l/sec.	8.7	8.7	12.6	12.6	12.6	12.6	15.8	15.8	15.8
Maximum Chilled Water Flow Rate, l/sec.	33.1	33.1	37.9	37.9	37.9	37.9	47.3	47.3	47.3
Water Connections, inches	8	8	8	8	8	8	8	8	8

¹ Optional 300 PSIG Waterside available

OPERATING LIMITATIONS AND SOUND POWER DATA

OPERATING LIMITATIONS – ENGLISH UNITS

		MIN	MAX
LEAVING CHILLED LIQUID TEMP (°F)		40.1	59
CHILLED WATER TEMP DIFFERENCE (°F)		5.5	18
WATER SIDE PRESSURE (PSIG)			150
REFRIGERANT SIDE PRESSURE (PSIG)			300
MODEL		EVAPORATOR FLOW GALLONS/MINUTE	
YCAS		MIN.	MAX.
0130EC		141	403
0140EC		141	403
0150EC		180	769
0160EC		141	403
0170EC		180	768
0180EC		180	768
0200EC		180	768
0210EC		180	768
0230EC		180	768
AIR ENTERING CONDENSER (°F) FAN	STANDARD FANS	0	115*
	HIGH PRESS. FANS	0	115*
AVAILABLE STATIC PRESSURE (Pa)	STANDARD FANS		20
	HIGH PRESS. FANS	OPTION 1	85
	HIGH PRESS. FANS	OPTION 2	150
	LOW NOISE (4 PL)		10
ELECTRICAL THREE PHASE 60 Hz (V)		200	
		230	
		380	
		460	
		575	440

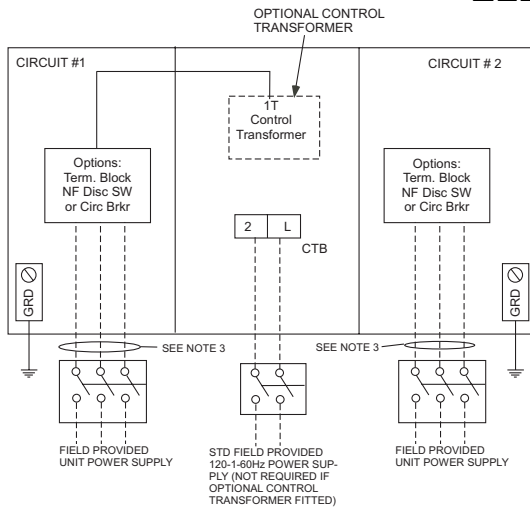
* Maximum Ambient w/ High Ambient Kit is 130°F.

OPERATING LIMITATIONS – SI UNITS

		MIN	MAX
LEAVING CHILLED LIQUID TEMP (°C)		4.5	15
CHILLED WATER TEMP DIFFERENCE (°C)		3	10
WATER SIDE PRESSURE (BAR)		–	10
REFRIGERANT SIDE PRESSURE (BAR)		–	20
MODEL		EVAPORATOR FLOW LITERS/SECOND	
YCAS		MIN.	MAX.
0130EC		8.9	25.43
0140EC		8.9	25.43
0150EC		11.3	48.45
0160EC		8.9	25.43
0170EC		11.3	48.45
0180EC		11.3	48.45
0200EC		11.3	48.45
0210EC		11.3	48.45
0230EC		11.3	48.45
AIR ENTERING CONDENSER (°C) FAN	STANDARD FANS	–18	46
	STANDARD FANS		20
AVAILABLE STATIC PRESSURE (Pa)	HIGH PRESS. FANS	OPTION 1	85
	HIGH PRESS. FANS	OPTION 2	150
	SLOW SPEED FANS		10
ELECTRICAL THREE PHASE 60 Hz (V)		200	
		230	
		380	
		460	
		575	

* Maximum Ambient w/ High Ambient Kit is 54°C.

ELECTRICAL DATA



MULTIPLE POINT POWER SUPPLY CONNECTION

Suitable for:
**Y - Δ Start and
 Across-The-Line-Start**

Two field provided power supply circuits to the unit. Field Power Wiring connections to factory provided, Non-Fused Disconnect Switches (Opt), Circuit Breakers (Opt) or Terminal Blocks (Opt).

See page 62 for notes.

LD05548

MULTIPLE POINT POWER SUPPLY CONNECTION - 2 COMPRESSOR UNITS

(Two Field Provided Power Supply Circuits To The Chiller. Field Connections to Factory Provided Terminal Block (Std), Disconnects (Opt), or Individual System Circuit Breakers (Opt) in each of the two Motor Control Centers.)

SYSTEM #1 FIELD-SUPPLIED WIRING

MODEL YCAS	VOLTS	FIELD PROVIDED POWER SUPPLY					FACTORY PROVIDED (LUGS) WIRE RANGE ⁷			COMPRESSOR			FANS ^{11, 12}	
		MCA ¹	MIN NF DISC SW ^{2, 9}	OVER-CURRENT PROTECTION		STD. TERMINAL BLOCK	OPT. NF. DISC SW.	OPT. C.B.	RLA	Y-LRA	X-LRA	QTY	FLA (EA.)	LRA (EA.)
				MIN. ^{3, 5}	MAX. ^{4, 6}									
0130EC	200	340	400	450	500	(2) 1/0 - 300	(2) 3/0-250	(3) 2/0-400	246	591	N/A	4	8.2	38.0
	230	299	400	400	500	2/0 - (2) 4/0	(2) 3/0-250	(2) 3/0-250	214	481	N/A	4	7.8	33.0
	380	181	200	225	300	1/0 - 300	# 6 - 350	# 6 - 350	130	285	900	4	4.8	23.0
	460	150	150	200	250	# 2 - 4/0	# 4 - 300	# 6 - 350	107	228	719	4	4.0	19.0
	575	119	150	150	200	# 2 - 4/0	# 4 - 300	# 4 - 300	86	182	574	4	3.1	15.2
0140EC	200	366	400	450	600	(2) 1/0 - 300	(2) 3/0-250	(3) 2/0-400	267	591	N/A	4	8.2	38.0
	230	321	400	400	500	2/0 - (2) 4/0	(2) 3/0-250	(2) 3/0-250	232	481	N/A	4	7.8	33.0
	380	195	200	250	300	1/0 - 300	# 6 - 350	# 6 - 350	140	285	900	4	4.8	23.0
	460	161	200	200	250	# 2 - 4/0	# 4 - 300	# 4 - 300	116	228	719	4	4.0	19.0
	575	128	150	175	200	# 2 - 4/0	# 4 - 300	# 6 - 350	93	182	574	4	3.1	15.2
0150EC	200	402	400	500	600	(2) 2/0 - 500	(2) 3/0-250	(3) 2/0-400	295	708	N/A	4	8.2	38.0
	230	351	400	450	600	(2) 1/0 - 300	(2) 3/0-250	(3) 2/0-400	256	642	N/A	4	7.8	33.0
	380	213	250	300	350	2/0 - 500	# 6 - 350	(2) 3/0-250	155	343	1093	4	4.8	23.0
	460	176	200	225	300	1/0 - 300	# 4 - 300	# 6 - 350	128	280	893	4	4.0	19.0
	575	141	150	175	225	# 2 - 4/0	# 4 - 300	# 6 - 350	103	224	714	4	3.1	15.2
0160EC	200	402	400	500	600	(2) 2/0 - 500	(2) 3/0-250	(3) 2/0-400	295	708	N/A	4	8.2	38.0
	230	351	400	450	600	(2) 1/0 - 300	(2) 3/0-250	(3) 2/0-400	256	642	N/A	4	7.8	33.0
	380	213	250	300	350	# 1 - 300	# 6 - 350	(2) 3/0-250	155	343	1093	4	4.8	23.0
	460	176	200	225	300	1/0 - 300	# 6 - 350	# 6 - 350	128	280	893	4	4.0	19.0
	575	141	150	175	225	# 2 - 4/0	# 4 - 300	# 6 - 350	103	224	714	4	3.1	15.2
0170EC	200	434	600	600	700	(2) 2/0 - 500	(3) 2/0-400	(3) 2/0-400	321	708	N/A	4	8.2	38.0
	230	380	400	450	600	(2) # 1 - 300	(2) 3/0-250	(3) 2/0-400	279	642	N/A	4	7.8	33.0
	380	230	250	300	350	2/0 - 500	# 6 - 350	(2) 3/0-250	169	343	1093	4	4.8	23.0
	460	191	200	250	300	1/0 - 300	# 6 - 350	# 6 - 350	140	280	893	4	4.0	19.0
	575	152	150	200	250	# 2 - 4/0	# 4 - 300	# 6 - 350	112	224	714	4	3.1	15.2
0180EC	200	434	600	600	700	(2) 2/0 - 500	(3) 2/0-400	(3) 2/0-400	321	708	N/A	4	8.2	38.0
	230	380	400	450	600	(2) 2/0 - 500	(2) 3/0-250	(3) 2/0-400	279	642	N/A	4	7.8	33.0
	380	230	250	300	350	2/0 - 500	# 6 - 350	(2) 3/0-250	169	343	1093	4	4.8	23.0
	460	191	200	250	300	1/0 - 300	# 6 - 350	# 6 - 350	140	280	893	4	4.0	19.0
	575	152	150	200	250	# 2 - 4/0	# 4 - 300	# 6 - 350	112	224	714	4	3.1	15.2
0200EC	200	469	600	600	800	(2) 2/0 - 500	(3) 2/0-400	(3) 2/0-400	342	708	N/A	5	8.2	38.0
	230	412	400	500	700	(2) 2/0 - 500	(2) 3/0-250	(3) 2/0-400	298	642	N/A	5	7.8	33.0
	380	250	250	300	400	2/0 - 500	# 6 - 350	(2) 3/0-250	181	343	1093	5	4.8	23.0
	460	206	200	250	350	# 1 - 300	# 6 - 350	# 6 - 350	149	280	893	5	4.0	19.0
	575	164	200	200	250	1/0 - 300	# 6 - 350	# 6 - 350	119	224	714	5	3.1	15.2
0210EC	200	509	600	700	800	(2) 2/0 - 500	(3) 2/0-400	(3) 2/0-400	374	708	N/A	5	8.2	38.0
	230	445	600	600	700	(2) 2/0 - 500	(2) 3/0-250	(3) 2/0-400	325	642	N/A	5	7.8	33.0
	380	270	400	350	450	2/0 - 500	(2) 3/0-250	(2) 3/0-250	197	343	1093	5	4.8	23.0
	460	224	250	300	350	2/0 - 500	# 6 - 350	(2) 3/0-250	163	280	893	5	4.0	19.0
	575	178	200	225	300	1/0 - 300	# 6 - 350	# 6 - 350	130	224	714	5	3.1	15.2
0230EC	200	509	600	700	800	(2) 2/0 - 500	(3) 2/0-400	(3) 2/0-400	374	708	N/A	5	8.2	38.0
	230	445	600	600	700	(2) 2/0 - 500	(3) 2/0-400	(3) 2/0-400	325	642	N/A	5	7.8	33.0
	380	270	400	350	450	2/0 - 500	(2) 3/0-250	(2) 3/0-250	197	343	1093	5	4.8	23.0
	460	224	250	300	350	2/0 - 500	# 6 - 350	(2) 3/0-250	163	280	893	5	4.0	19.0
	575	178	200	225	300	1/0 - 300	# 6 - 350	# 6 - 350	130	224	714	5	3.1	15.2

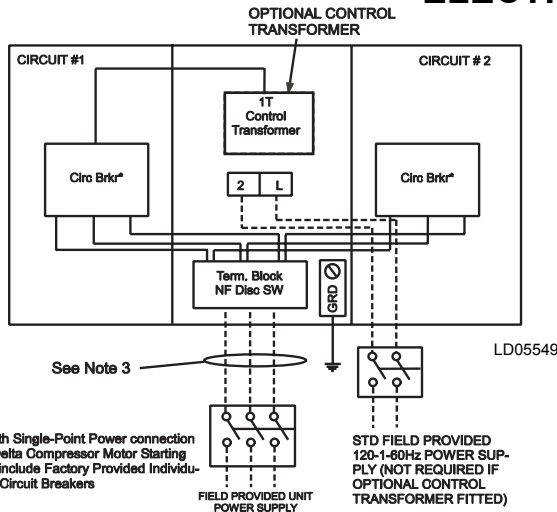
See page 62 for Electrical Data footnotes.

ELECTRICAL DATA

MODEL YCAS	VOLTS	SYSTEM #2 FIELD-SUPPLIED WIRING													
		FIELD PROVIDED POWER SUPPLY					FACTORY PROVIDED (LUGS) WIRE RANGE ⁷			COMPRESSOR			FANS ^{11, 12}		
		MCA ¹	MIN NF DISC SW ⁹	OVER-CURRENT PROTECTION		STD. TERMINAL BLOCK	OPT. NF. DISC SW.	OPT. C.B.	RLA	Y-LRA	X-LRA	QTY	FLA (EA.)	LRA (EA.)	
				MIN. ^{3,5}	MAX. ^{4,6}										
0130EC	200	343	400	450	500	(2) 1/0 - 300	(2) 3/0-250	(3) 2/0-400	246	591	N/A	4	8.2	38.0	
	230	298	400	400	500	2/0 - (2) 4/0	(2) 3/0-250	(2) 3/0-250	214	481	N/A	4	7.8	33.0	
	380	180	200	225	300	1/0 - 300	# 6 - 350	# 6 - 350	130	285	900	4	4.8	23.0	
	460	149	150	200	250	# 2 - 4/0	# 4 - 300	# 6 - 350	107	228	719	4	4.0	19.0	
	575	119	150	150	200	# 2 - 4/0	# 4 - 300	# 4 - 300	86	182	574	4	3.1	15.2	
0140EC	200	368	400	450	600	(2) 1/0 - 300	(2) 3/0-250	(3) 2/0-400	267	591	N/A	4	8.2	38.0	
	230	320	400	400	500	2/0 - (2) 4/0	(2) 3/0-250	(2) 3/0-250	232	481	N/A	4	7.8	33.0	
	380	194	200	250	300	1/0 - 300	# 6 - 350	# 6 - 350	140	285	900	4	4.8	23.0	
	460	160	200	200	250	# 2 - 4/0	# 4 - 300	# 6 - 350	116	228	719	4	4.0	19.0	
	575	128	150	175	200	# 2 - 4/0	# 4 - 300	# 4 - 300	93	182	574	4	3.1	15.2	
0150EC	200	366	400	450	600	(2) 1/0 - 300	(2) 3/0-250	(3) 2/0-400	265	591	N/A	4	8.2	38.0	
	230	318	400	400	500	(2) 1/0 - 300	(2) 3/0-250	(2) 3/0-250	230	481	N/A	4	7.8	33.0	
	380	192	200	250	300	1/0 - 300	# 6 - 350	# 6 - 350	139	285	900	4	4.8	23.0	
	460	159	150	200	250	1/0 - 300	# 6 - 350	# 6 - 350	115	228	719	4	4.0	19.0	
	575	127	150	175	200	# 2 - 4/0	# 4 - 300	# 4 - 300	92	182	574	4	3.1	15.2	
0160EC	200	404	400	500	600	(2) 2/0 - 500	(2) 3/0-250	(3) 2/0-400	295	708	N/A	4	8.2	38.0	
	230	350	400	450	600	(2) 1/0 - 300	(2) 3/0-250	(3) 2/0-400	256	642	N/A	4	7.8	33.0	
	380	212	200	300	350	2/0 - 500	# 6 - 350	(2) 3/0-250	155	343	1093	4	4.8	23.0	
	460	175	200	225	300	1/0 - 300	# 6 - 350	# 6 - 350	128	280	893	4	4.0	19.0	
	575	141	150	175	225	# 2 - 4/0	# 4 - 300	# 6 - 350	103	224	714	4	3.1	15.2	
0170EC	200	404	400	500	600	(2) 2/0 - 500	(2) 3/0-250	(3) 2/0-400	295	708	N/A	4	8.2	38.0	
	230	350	400	450	600	(2) 1/0 - 300	(2) 3/0-250	(3) 2/0-400	256	642	N/A	4	7.8	33.0	
	380	212	200	300	350	# 1 - 300	# 6 - 350	(2) 3/0-250	155	343	1093	4	4.8	23.0	
	460	175	200	225	300	1/0 - 300	# 6 - 350	# 6 - 350	128	280	893	4	4.0	19.0	
	575	141	150	175	225	# 2 - 4/0	# 4 - 300	# 6 - 350	103	224	714	4	3.1	15.2	
0180EC	200	436	600	600	700	(2) 2/0 - 500	(3) 2/0-400	(3) 2/0-400	321	708	N/A	4	8.2	38.0	
	230	379	400	450	600	(2) 2/0 - 500	(2) 3/0-250	(3) 2/0-400	279	642	N/A	4	7.8	33.0	
	380	230	250	300	350	2/0 - 500	# 6 - 350	(2) 3/0-250	169	343	1093	4	4.8	23.0	
	460	190	200	250	300	1/0 - 300	# 6 - 350	# 6 - 350	140	280	893	4	4.0	19.0	
	575	152	150	200	250	# 2 - 4/0	# 4 - 300	# 6 - 350	112	224	714	4	3.1	15.2	
0200EC	200	471	600	600	800	(2) 2/0 - 500	(3) 2/0-400	(3) 2/0-400	342	708	N/A	5	8.2	38.0	
	230	411	400	500	700	(2) 2/0 - 500	(2) 3/0-250	(3) 2/0-400	298	642	N/A	5	7.8	33.0	
	380	249	250	300	400	2/0 - 500	# 6 - 350	(2) 3/0-250	181	343	1093	5	4.8	23.0	
	460	205	200	250	350	2/0 - 500	# 6 - 350	# 6 - 350	149	280	893	5	4.0	19.0	
	575	164	200	200	250	1/0 - 300	# 6 - 350	# 6 - 350	119	224	714	5	3.1	15.2	
0210EC	200	471	600	600	800	(2) 2/0 - 500	(3) 2/0-400	(3) 2/0-400	342	708	N/A	5	8.2	38.0	
	230	411	400	500	700	(2) 2/0 - 500	(2) 3/0-250	(3) 2/0-400	298	642	N/A	5	7.8	33.0	
	380	249	250	300	400	2/0 - 500	# 6 - 350	(2) 3/0-250	181	343	1093	5	4.8	23.0	
	460	205	200	250	350	# 1 - 300	# 6 - 350	# 6 - 350	149	280	893	5	4.0	19.0	
	575	164	200	200	250	1/0 - 300	# 4 - 300	# 6 - 350	119	224	714	5	3.1	15.2	
0230EC	200	511	600	700	800	(2) 2/0 - 500	(3) 2/0-400	(3) 2/0-400	374	708	N/A	5	8.2	38.0	
	230	444	600	600	700	(2) 2/0 - 500	(3) 2/0-400	(3) 2/0-400	325	642	N/A	5	7.8	33.0	
	380	269	400	350	450	2/0 - 500	(2) 3/0-250	(2) 3/0-250	197	343	1093	5	4.8	23.0	
	460	223	250	300	350	2/0 - 500	# 6 - 350	(2) 3/0-250	163	280	893	5	4.0	19.0	
	575	178	200	225	300	1/0 - 300	# 6 - 350	# 6 - 350	130	224	714	5	3.1	15.2	

7

ELECTRICAL DATA



* Note: With Single-Point Power connection and Star-Delta Compressor Motor Starting must also include Factory Provided Individual System Circuit Breakers

STD FIELD PROVIDED 120-1-60Hz POWER SUPPLY (NOT REQUIRED IF OPTIONAL CONTROL TRANSFORMER FITTED)

OPTIONAL SINGLE-POINT POWER SUPPLY CONNECTION AND INDIVIDUAL SYSTEM CIRCUIT BREAKERS

Suitable for:
**Y - Δ Start and
 Across-The-Line-Start**

One field provided power supply circuit to the unit. Field connections to factory provided Non-Fused Disconnect Switch (Opt), or Terminal Block (Opt). Factory connections to Circuit Breakers on Terminal Blocks in each of the two Power Panels.

See page 62 for notes.

OPTIONAL SINGLE-POINT POWER SUPPLY WITH INDIVIDUAL SYSTEM CIRCUIT BREAKERS – 2 COMPRESSOR UNITS

(One Field Provided Power Supply Circuit to the chiller. Field connections to Factory Provided Terminal Block (standard) or Non-Fused Disconnect (option). Individual System Circuit Breakers in each Motor Control Center¹⁰)

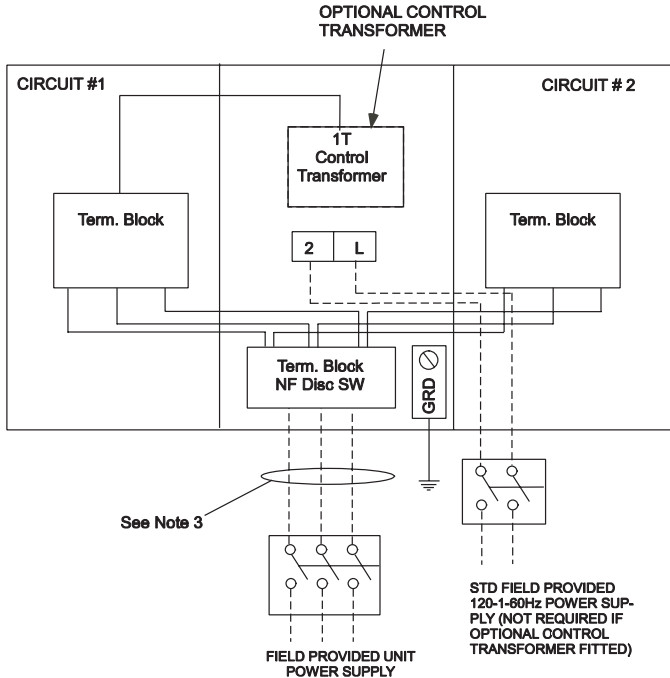
CHILLER MODEL YCAS	VOLTS	FIELD-SUPPLIED WIRING					
		FIELD PROVIDED POWER SUPPLY			FACTORY PROVIDED (LUGS) WIRE RANGE ⁷		
		MCA ¹	MIN NF DISC SW ⁹	OVER-CURRENT PROTECTION ¹³	STANDARD TERMINAL BLOCK	OPTIONAL NF DISC. SWITCH	
		MIN. ^{3,5}	MAX. ^{4,6}				
0130EC	200	619.3	800	700	700	(3) 2/0 - 500	(3) 2/0-400
	230	543.9	600	600	700	(2) 2/0 - 500	(2) 250-500
	380	329.8	400	400	450	(2) 1/0 - 300	(2) 3/0-250
	460	272.8	400	300	350	2/0 - 500	(2) 3/0-250
	575	217.4	250	250	300	2/0 - 500	# 6 - 350
0140EC	200	665.9	800	800	800	(3) 2/0 - 500	(3) 2/0-400
	230	584.4	800	700	800	(3) 2/0 - 500	(2) 250-500
	380	354.3	400	400	450	(2) 1/0 - 300	(2) 3/0-250
	460	293.0	400	350	400	(2) 1/0 - 300	(2) 3/0-250
	575	233.6	250	300	300	2/0 - 500	# 6 - 350
0150EC	200	698.9	800	800	800	(3) 2/0 - 500	(3) 2/0-400
	230	612.4	800	700	800	(3) 2/0 - 500	(3) 2/0-400
	380	371.4	400	450	500	(2) 2/0 - 500	(2) 3/0-250
	460	307.0	400	350	400	(2) 1/0 - 300	(2) 3/0-250
	575	245.6	400	300	300	2/0 - 500	(2) 3/0-250
0160EC	200	729.4	800	1000	800	(3) 2/0 - 500	(3) 2/0-400
	230	638.4	800	800	800	(3) 2/0 - 500	(3) 2/0-400
	380	387.2	600	450	500	(2) 2/0 - 500	(2) 250-500
	460	320.0	400	400	400	(2) 1/0 - 300	(2) 3/0-250
	575	256.6	400	300	300	2/0 - 500	(2) 3/0-250
0170EC	200	761.9	800	1000	1000	(3) 2/0 - 500	(3) 2/0-400
	230	667.2	800	800	800	(3) 2/0 - 500	(3) 2/0-400
	380	404.7	600	450	500	(2) 2/0 - 500	(2) 250-500
	460	335.0	400	400	400	(2) 1/0 - 300	(2) 3/0-250
	575	267.8	400	300	350	2/0 - 500	(2) 3/0-250
0180EC	200	787.9	1000	1000	1000	N/A	N/A
	230	690.2	800	800	800	N/A	N/A
	380	418.7	600	500	500	(2) 2/0 - 500	(2) 250-500
	460	347.0	400	400	450	(2) 1/0 - 300	(2) 3/0-250
	575	276.8	400	350	350	(2) 1/0 - 300	(2) 3/0-250
0200EC	200	851.5	1000	1000	1000	N/A	N/A
	230	748.5	800	1000	800	N/A	N/A
	380	455.3	600	600	500	(2) 2/0 - 500	(2) 250-500
	460	375.3	400	450	450	(2) 2/0 - 500	(2) 3/0-250
	575	298.8	400	350	350	(2) 1/0 - 300	(2) 3/0-250
0210EC	200	891.5	1000	1000	1000	N/A	N/A
	230	782.3	1000	1000	1000	N/A	N/A
	380	475.3	600	600	600	(2) 2/0 - 500	(2) 250-500
	460	392.8	600	450	500	(2) 2/0 - 500	(2) 250-500
	575	312.5	400	350	400	(2) 1/0 - 300	(2) 3/0-250
0230EC	200	923.5	1000	1200	1200	N/A	N/A
	230	809.3	1000	1000	1000	N/A	N/A
	380	491.3	600	600	600	(2) 2/0 - 500	(2) 250-500
	460	406.8	600	450	500	(2) 2/0 - 500	(2) 250-500
	575	323.5	400	400	450	(2) 1/0 - 300	(2) 3/0-250

See page 62 for Electrical Data footnotes.

ELECTRICAL DATA

MODEL YCAS	VOLTS	SYSTEM #1						SYSTEM #2					
		COMPRESSOR DATA			FAN DATA ^{11, 12}			COMPRESSOR DATA			FAN DATA ^{11, 12}		
		RLA	Y-LRA	X-LRA	QTY	FLA (EA.)	LRA (EA.)	RLA	Y-LRA	X-LRA	QTY	FLA (EA.)	LRA (EA.)
0130EC	200	246.1	591	1866	4	8.2	38.0	246.1	591	1866	4	8.2	38.0
	230	214.0	481	1518	4	7.8	33.0	214.0	481	1518	4	7.8	33.0
	380	129.5	285	900	4	4.8	23.0	129.5	285	900	4	4.8	23.0
	460	107.0	228	719	4	4.0	19.0	107.0	228	719	4	4.0	19.0
	575	85.6	182	574	4	3.1	15.2	85.6	182	574	4	3.1	15.2
0140EC	200	266.8	591	1866	4	8.2	38.0	266.8	591	1866	4	8.2	38.0
	230	232.0	481	1518	4	7.8	33.0	232.0	481	1518	4	7.8	33.0
	380	140.4	285	900	4	4.8	23.0	140.4	285	900	4	4.8	23.0
	460	116.0	228	719	4	4.0	19.0	116.0	228	719	4	4.0	19.0
	575	92.8	182	574	4	3.1	15.2	92.8	182	574	4	3.1	15.2
0150EC	200	295.0	708	2256	4	8.2	38.0	264.5	591	1866	4	8.2	38.0
	230	256.0	642	2045	4	7.8	33.0	230.0	481	1518	4	7.8	33.0
	380	155.0	343	1093	4	4.8	23.0	139.2	285	900	4	4.8	23.0
	460	128.0	280	893	4	4.0	19.0	115.0	228	719	4	4.0	19.0
	575	103.0	224	714	4	3.1	15.2	92.0	182	574	4	3.1	15.2
0160EC	200	295.0	708	2256	4	8.2	38.0	295.0	708	2256	4	8.2	38.0
	230	256.0	642	2045	4	7.8	33.0	256.0	642	2045	4	7.8	33.0
	380	155.0	343	1093	4	4.8	23.0	155.0	343	1093	4	4.8	23.0
	460	128.0	280	893	4	4.0	19.0	128.0	280	893	4	4.0	19.0
	575	103.0	224	714	4	3.1	15.2	103.0	224	714	4	3.1	15.2
0170EC	200	321.0	708	2256	4	8.2	38.0	295.0	708	2256	4	8.2	38.0
	230	279.0	642	2045	4	7.8	33.0	256.0	642	2045	4	7.8	33.0
	380	169.0	343	1093	4	4.8	23.0	155.0	343	1093	4	4.8	23.0
	460	140.0	280	893	4	4.0	19.0	128.0	280	893	4	4.0	19.0
	575	112.0	224	714	4	3.1	15.2	103.0	224	714	4	3.1	15.2
0180EC	200	321.0	N/A	N/A	4	8.2	38.0	321.0	N/A	N/A	4	8.2	38.0
	230	279.0	N/A	N/A	4	7.8	33.0	279.0	N/A	N/A	4	7.8	33.0
	380	169.0	343	1093	4	4.8	23.0	169.0	343	1093	4	4.8	23.0
	460	140.0	280	893	4	4.0	19.0	140.0	280	893	4	4.0	19.0
	575	112.0	224	714	4	3.1	15.2	112.0	224	714	4	3.1	15.2
0200EC	200	342.0	N/A	N/A	5	8.2	38.0	342.0	N/A	N/A	5	8.2	38.0
	230	298.0	N/A	N/A	5	7.8	33.0	298.0	N/A	N/A	5	7.8	33.0
	380	181.0	343	1093	5	4.8	23.0	181.0	343	1093	5	4.8	23.0
	460	149.0	280	893	5	4.0	19.0	149.0	280	893	5	4.0	19.0
	575	119.0	224	714	5	3.1	15.2	119.0	224	714	5	3.1	15.2
0210EC	200	374.0	N/A	N/A	5	8.2	38.0	342.0	N/A	N/A	5	8.2	38.0
	230	325.0	N/A	N/A	5	7.8	33.0	298.0	N/A	N/A	5	7.8	33.0
	380	197.0	343	1093	5	4.8	23.0	181.0	343	1093	5	4.8	23.0
	460	163.0	280	893	5	4.0	19.0	149.0	280	893	5	4.0	19.0
	575	130.0	224	714	5	3.1	15.2	119.0	224	714	5	3.1	15.2
0230EC	200	374.0	N/A	N/A	5	8.2	38.0	374.0	N/A	N/A	5	8.2	38.0
	230	325.0	N/A	N/A	5	7.8	33.0	325.0	N/A	N/A	5	7.8	33.0
	380	197.0	343	1093	5	4.8	23.0	197.0	343	1093	5	4.8	23.0
	460	163.0	280	893	5	4.0	19.0	163.0	280	893	5	4.0	19.0
	575	130.0	224	714	5	3.1	15.2	130.0	224	714	5	3.1	15.2

ELECTRICAL DATA



OPTIONAL SINGLE-POINT POWER SUPPLY CONNECTION WITH FIELD SUPPLIED CIRCUIT PROTECTION

Suitable for:
**Y - Δ Start and
 Across-The-Line-Start**

One field provided power supply circuit to the unit. Field connections to factory provided Non-Fused Disconnect Switch (Opt), or Terminal Block (Opt). Factory connections to Terminal Blocks in each of the two Power Panels.

See page 62 for notes.

LD05550

OPTIONAL SINGLE-POINT POWER SUPPLY CONNECTION – 2 COMPRESSOR UNITS

(One Field Provided Power Supply Circuit to the Chiller. Field connections to Factory Provided Terminal Block (Standard) or Non-Fused Disconnect (option). No Internal Branch Circuit Protection (Breakers) per Motor Control Center¹⁰)

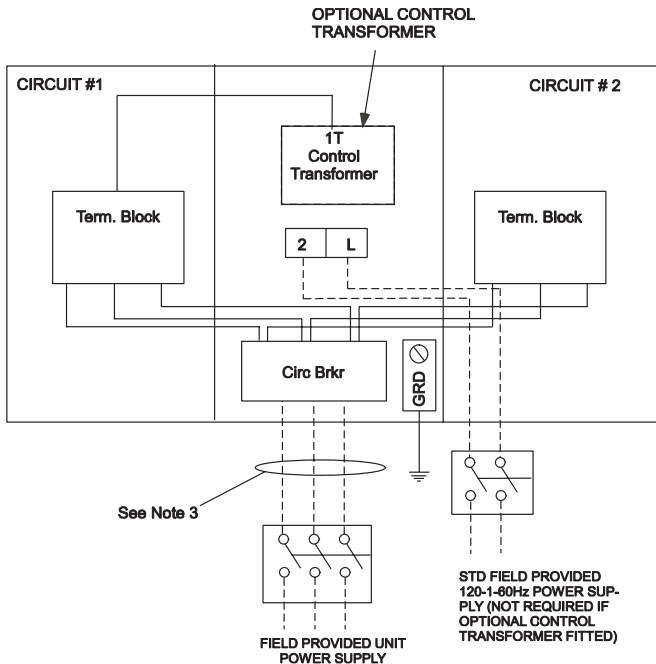
CHILLER MODEL YCAS	VOLTS	FIELD-SUPPLIED WIRING					
		FIELD PROVIDED POWER SUPPLY				FACTORY PROVIDED (LUGS) WIRE RANGE ⁷	
		MCA ¹	MIN NF DISC SW ^{2,9}	OVER-CURRENT PROTECTION ¹³		STANDARD TERMINAL BLOCK	OPTIONAL NF DISC. SWITCH
		MIN. ^{3,5}	MAX. ^{4,6}				
0130EC	460	273	400	300	350	# 1 - 500	(2) 3/0-250
	575	217	250	250	300	# 1 - 500	# 6 - 350
0140EC	460	293	400	350	400	(2) # 2 - 300	(2) 3/0-250
	575	234	250	300	300	# 1 - 500	# 6 - 350
0150EC	460	307	400	350	400	(2) # 2 - 300	(2) 3/0-250
	575	246	400	300	300	# 1 - 500	(2) 3/0-250
0160EC	460	320	400	400	400	(2) # 2 - 300	(2) 3/0-250
	575	257	400	300	350	# 1 - 500	(2) 3/0-250
0170EC	460	335	400	400	450	(2) # 2 - 300	(2) 3/0-250
	575	268	400	300	350	# 1 - 500	(2) 3/0-250
0180EC	460	347	400	400	450	(2) # 2 - 300	(2) 3/0-250
	575	277	400	350	350	(2) # 2 - 300	(2) 3/0-250
0200EC	460	375	400	450	500	(2) # 1 - 500	(2) 3/0-250
	575	299	400	350	400	(2) # 2 - 300	(2) 3/0-250
0210EC	460	393	600	450	500	(2) # 1 - 500	(2) 250-500
	575	313	400	350	400	(2) # 2 - 300	(2) 3/0-250
0230EC	460	407	600	450	500	(2) # 1 - 500	(2) 250-500
	575	324	400	400	450	(2) # 2 - 300	(2) 3/0-250

See page 62 for Electrical Data footnotes.

ELECTRICAL DATA

MODEL YCAS	VOLTS	SYSTEM #1					SYSTEM #2				
		COMPRESSOR DATA		FAN DATA ^{11,12}			COMPRESSOR DATA		FAN DATA ^{11,12}		
		RLA	X-LRA	QTY	FLA (EA.)	LRA (EA.)	RLA	X-LRA	QTY	FLA (EA.)	LRA (EA.)
0130EC	460	107	719	4	4.0	19.0	107	719	4	4.0	19.0
	575	86	574	4	3.1	15.2	86	574	4	3.1	15.2
0140EC	460	116	719	4	4.0	19.0	116	719	4	4.0	19.0
	575	93	574	4	3.1	15.2	93	574	4	3.1	15.2
0150EC	460	128	893	4	4.0	19.0	115	719	4	4.0	19.0
	575	103	714	4	3.1	15.2	92	574	4	3.1	15.2
0160EC	460	128	893	4	4.0	19.0	128	893	4	4.0	19.0
	575	103	714	4	3.1	15.2	103	714	4	3.1	15.2
0170EC	460	140	893	4	4.0	19.0	128	893	4	4.0	19.0
	575	112	714	4	3.1	15.2	103	714	4	3.1	15.2
0180EC	460	140	893	4	4.0	19.0	140	893	4	4.0	19.0
	575	112	714	4	3.1	15.2	112	714	4	3.1	15.2
0200EC	460	149	893	5	4.0	19.0	149	893	5	4.0	19.0
	575	119	714	5	3.1	15.2	119	714	5	3.1	15.2
0210EC	460	163	893	5	4.0	19.0	149	893	5	4.0	19.0
	575	130	714	5	3.1	15.2	119	714	5	3.1	15.2
0230EC	460	163	893	5	4.0	19.0	163	893	5	4.0	19.0
	575	130	714	5	3.1	15.2	130	714	5	3.1	15.2

ELECTRICAL DATA



OPTIONAL SINGLE-POINT POWER SUPPLY CONNECTION TO FACTORY CIRCUIT BREAKER

Suitable for:
Across-The-Line-Start

One field provided power supply circuit to the unit. Field connections to factory provided Circuit Breaker in the Options Panel. Factory connections to Terminal Blocks in each of the two Power Panels.

See page 62 for notes.

LD05551

OPTIONAL SINGLE-POINT POWER SUPPLY CONNECTION TO FACTORY CIRCUIT BREAKER – 2 COMPRESSOR UNITS

(One Field Provided Power Supply Circuit to the chiller. Field Connections to Factory Provided Circuit Breaker. No Internal Branch Circuit Protection (Breakers) per Motor Control Center¹⁰.)

MODEL YCAS	VOLTS	FIELD SUPPLIED WIRING			SYSTEM #1					SYSTEM #2				
		MCA ¹	FACTORY SUPPLIED BREAKER		COMPRESSOR		FANS ^{11,12}			COMPRESSOR		FANS ^{11,12}		
			RATING ²	WIRE RANGE ⁷ (LUGS)	RLA	X-LRA	QTY	FLA(ea)	LRA(ea)	RLA	X-LRA	QTY	FLA(ea)	LRA(ea)
0130EC	460	273	400	(2) 3/0-250	107	719	4	4.0	19.0	107	719	4	4.0	19.0
	575	217	250	# 6 - 350	86	574	4	3.1	15.2	86	574	4	3.1	15.2
0140EC	460	293	400	(2) 3/0-250	116	719	4	4.0	19.0	116	719	4	4.0	19.0
	575	234	400	(2) 3/0-250	93	574	4	3.1	15.2	93	574	4	3.1	15.2
0150EC	460	307	400	(2) 3/0-250	128	893	4	4.0	19.0	115	719	4	4.0	19.0
	575	246	400	(2) 3/0-250	103	714	4	3.1	15.2	92	574	4	3.1	15.2
0160EC	460	320	400	(2) 3/0-250	128	893	4	4.0	19.0	128	893	4	4.0	19.0
	575	257	400	(2) 3/0-250	103	714	4	3.1	15.2	103	714	4	3.1	15.2
0170EC	460	335	400	(2) 3/0-250	140	893	4	4.0	19.0	128	893	4	4.0	19.0
	575	268	400	(2) 3/0-250	112	714	4	3.1	15.2	103	714	4	3.1	15.2
0180EC	460	347	400	(2) 3/0-250	140	893	4	4.0	19.0	140	893	4	4.0	19.0
	575	277	400	(2) 3/0-250	112	714	4	3.1	15.2	112	714	4	3.1	15.2
0200EC	460	375	600	(3) 2/0-400	149	893	5	4.0	19.0	149	893	5	4.0	19.0
	575	299	400	(2) 3/0-250	119	714	5	3.1	15.2	119	714	5	3.1	15.2
0210EC	460	393	600	(3) 2/0-400	163	893	5	4.0	19.0	149	893	5	4.0	19.0
	575	313	400	(2) 3/0-250	130	714	5	3.1	15.2	119	714	5	3.1	15.2
0230EC	460	407	600	(3) 2/0-400	163	893	5	4.0	19.0	163	893	5	4.0	19.0
	575	324	400	(2) 3/0-250	130	714	5	3.1	15.2	130	714	5	3.1	15.2

NOTES: Wye-Delta Compressor Start not available with this option.
See page 62 for Electrical Data footnotes.

NOTES:

- Dashed Line indicates Field Provided Wiring.
- The above recommendations are based on the National Electric Code and using copper connectors only. Field wiring must also comply with local codes.

ELECTRICAL DATA

COMPRESSOR DATA

MAXIMUM KW AND AMPERAGE VALUES FOR DXST COMPRESSORS																		
	COMPRESSOR MODEL AND VOLTAGE CODE																	
	DXS45LA – MOTOR CODE A (B5N, B5E, B6N, B6E)						DXS36LA – MOTOR CODE A (A5N, A5E, A6N, A6E)						DXS24LA – MOTOR CODE (TBD) (C5N, C5E, C6N, C6E)					
	VOLTAGE CODE-	-17	-28	-40	-46	-50	-58	-17	-28	-40	-46	-50	-58	-17	-28	-40	-46	-50
MAX KW	150	150	150	150	113	150	150	150	150	150	113	150	105	105	105	105	80	105
MAX AMPS	492	428	259	214	193	171	492	428	259	214	193	171	338	294	178	147	135	118

ELECTRICAL NOTES

NOTES & LEGEND

LEGEND

ACR-LINE	ACROSS THE LINE START	
C.B.	CIRCUIT BREAKER	VOLTAGE CODE
D.E.	DUAL ELEMENT FUSE	-17 = 200-3-60
DISC SW	DISCONNECT SWITCH	-28 = 230-3-60
FACT CB	FACTORY-MOUNTED CIRCUIT BREAKER	-40 = 380-3-60
FLA	FULL LOAD AMPS	-46 = 460-3-60
HZ	HERTZ	-58 = 575-3-60
MAX	MAXIMUM	
MCA	MINIMUM CIRCUIT AMPACITY	
MIN	MINIMUM	
MIN NF	MINIMUM NON-FUSED	
RLA	RUNNING LOAD AMPS	
S.P. WIRE	SINGLE-POINT WIRING	
Y-Δ	WYE-DELTA START	
X-LRA	ACROSS-THE-LINE INRUSH LOCKED ROTOR AMPS	
Y-LRA	WYE-DELTA INRUSH LOCKED ROTOR AMPS	

CONTROL POWER SUPPLY (UNITS WITHOUT STANDARD CONTROL CIRCUIT TRANSFORMER)

NO. OF COMPRESSORS	CONTROL POWER SUPPLY	MCA (MAX LOAD CURRENT)	MAX DUAL ELEMENT FUSE SIZE	NON-FUSED DISCONNECT SWITCH SIZE
2	115V-1Ø	20A	20A	20A

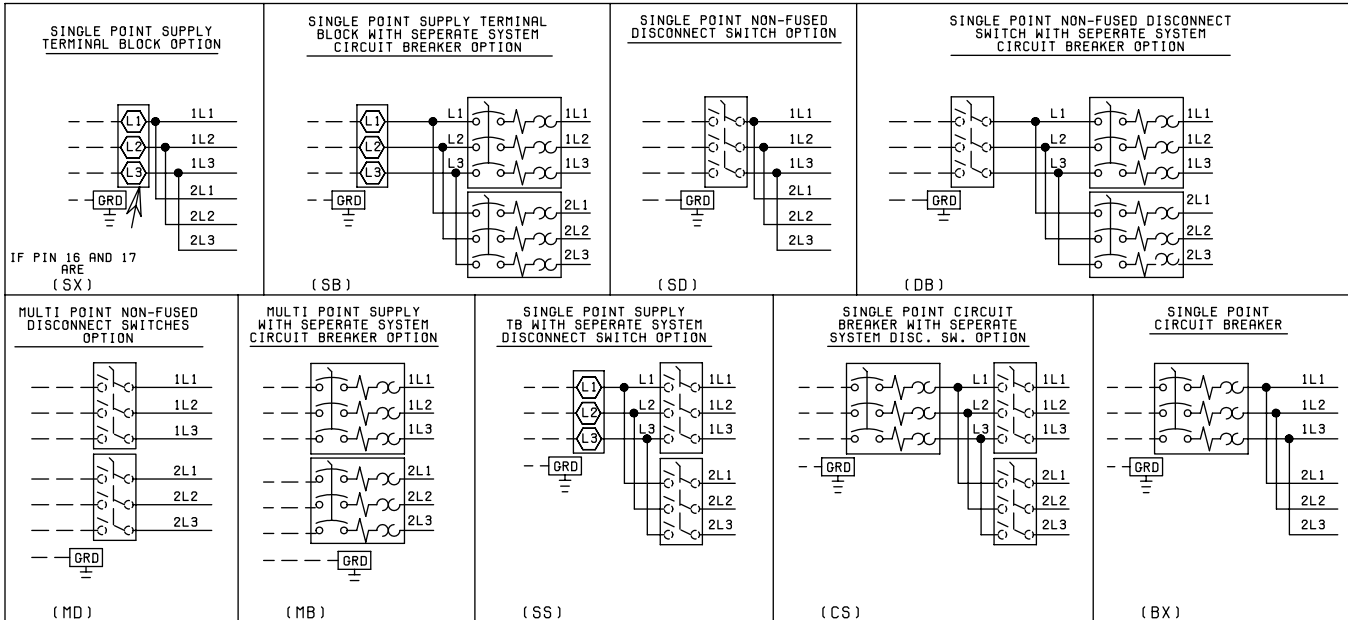
NOTES:

1. Minimum circuit ampacity (MCA) is based on 125% of the rated load amps for the largest motor plus 100% of the rated load amps for all other loads included in the circuit, per N.E.C. Article 430-24. If a Factory Mounted Control Transformer is provided, add the following to the system #1 MCA values in the YCAS Tables: -17, add 15 amps; -28, add 12 amps; -40, add 7 amps; -46, add 6 amps; -58, add 5 amps.
2. The recommended disconnect switch is based on a minimum of 115% of the summation rated load amps of all the loads included in the circuit, per N.E.C. 440 - 12A1.
3. Minimum recommended fuse size is based on 150% of the largest motor RLA plus 100% of the remaining RLAs. Minimum fuse rating = (1.5 x largest compressor RLA) + other compressor RLAs + (# fans x each fan motor FLA).
4. Maximum dual element fuse size is based on 225% maximum plus 100% of the rated load amps for all other loads included in the circuit, per N.E.C. 440-22. Maximum fuse rating = (2.25 x largest compressor RLA) + other compressor RLAs + (# fans x each fan motor FLA).
5. Minimum recommended circuit breaker is 150% maximum plus 100% of rated load amps included in the circuit. Minimum circuit breaker rating = (1.5 x largest compressor RLA) + other compressor RLAs + (# fans x each fan motor FLA).
6. Maximum circuit breaker is based on 225% maximum plus 100% of the rated load amps for all loads included in the circuit, per circuit, per U.L. 1995 Fig. 36.2. Maximum circuit breaker rating = (2.25 x largest compressor RLA) + other compressor RLAs + (# fans x each fan motor FLA).
7. The Incoming Wire Range is the minimum and maximum wire size that can be accommodated by unit wiring lugs. The (1), (2), or (3) indicate the number of termination points or lugs which are available per phase. Actual wire size and number of wires per phase must be determined based on ampacity and job requirements using N.E.C. wire sizing information. The above recommendations are based on the National Electric Code and using **copper conductors** only. Field wiring must also comply with local codes.
8. A ground lug is provided for each compressor system to accommodate field grounding conductor per N.E.C. Article 250-54. A control circuit grounding lug is also supplied. Incoming ground wire range is #6 - 350 MCM.
9. The field supplied disconnect is a "Disconnecting Means" as defined in N.E.C. 100.B, and is intended for isolating the unit from the available power supply to perform maintenance and troubleshooting. This disconnect is not intended to be a Load Break Device.
10. Two-Compressor machines with single-point power connection, and equipped with Star (Wye)-Delta Compressor motor start must also include factory-provided individual system circuit breakers in each motor control center. All 3 & 4 Compressor machines equipped with Star-Delta compressor motor start must also include factory-provided individual system circuit breakers in each motor control center.
11. Consult factory for Electrical Data on units equipped with "High Static Fan" option. High Static Fans are 3.8 kW each.
12. FLA for "Low Noise Fan" motors: 200V = 8.0A, 230V = 7.8A, 380V = 4.4A, 460V = 3.6A, 575V = 2.9A.
13. Group Rated breaker must be HACR type for cU.L. Machines.

This page intentionally left blank.

WIRING DIAGRAM ACROSS-THE-LINE START

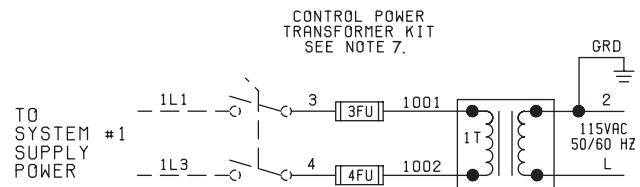
OPTIONAL EQUIPMENT SEE NOTE 7.



NOTES:

1. Field wiring to be in accordance with the current edition of the National Electrical Code as well as all other applicable codes and specifications.
2. Numbers along the right side of a diagram are line identification numbers. The numbers at each line indicate the line number location of relay contacts. An unlined contact location signifies a normally closed contact. Numbers adjacent to circuit lines are the circuit identification numbers.
3. Any customer supplied contacts must be suitable for switching 24VDC. (Gold contacts recommended.) Control Wiring must not be run in the same conduit with any line voltage wiring.
4. To cycle unit on and off automatically with contact shown, install a cycling device in series with the flow switch (FSLW). See Note 3 for contact rating and wiring specifications. Also refer to cautions on page 67.
5. To stop unit (Emergency Stop) with contacts other than those shown, install the stop contact between 5 and 1. If a stop device is not installed, a jumper must be connected between terminals 5 and 1. Device must have a minimum contact rating of 100VA at 115 volts A.C.
6. Alarm contacts are for annunciating alarm/unit malfunction. Contacts are rated at 115V, 100VA, resistive load only, and must be suppressed at load by user.
7. See Installation, Operation and Maintenance Manual when optional equipment is used.
8. Control panel to be securely connected to earth ground.
9. Use 2KVA transformer in optional transformer kit unless there are optional oil separator sump heaters which necessitates using a 3KVA transformer.

LD09231



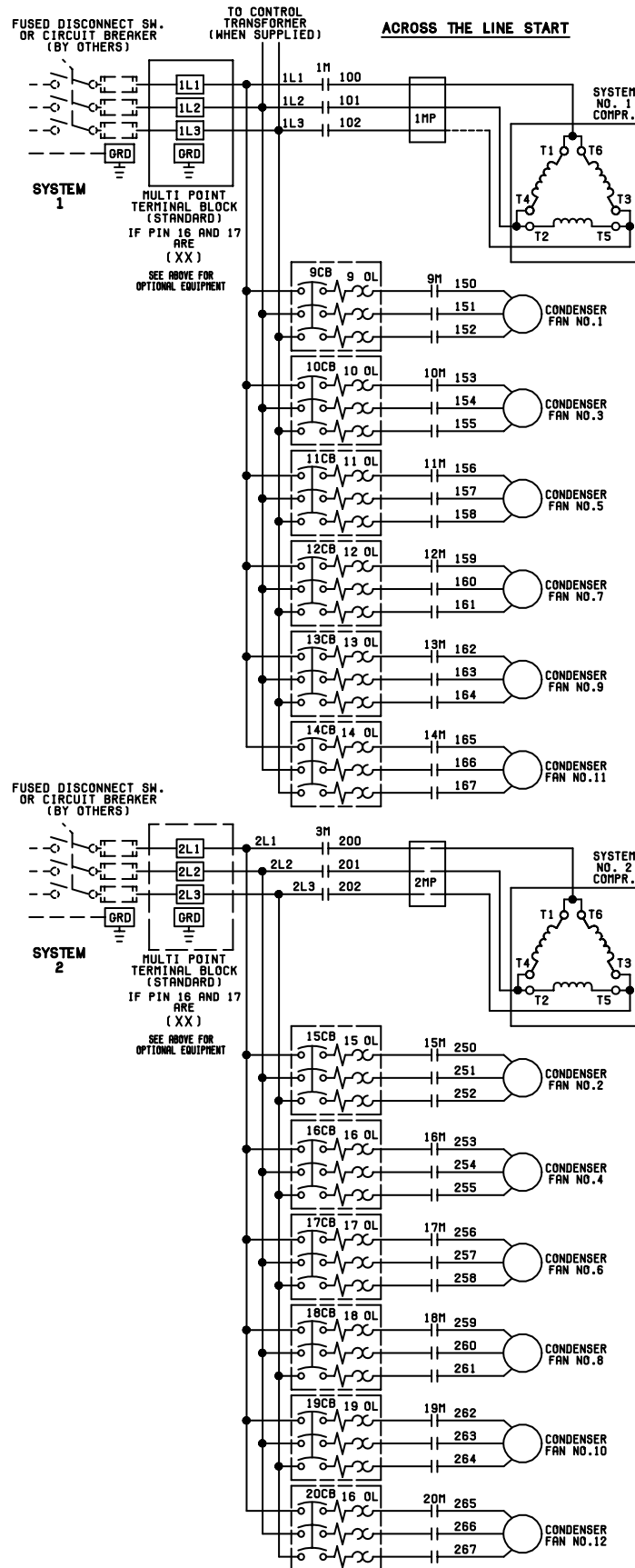
LD09232

LEGEND

- TS Transient Voltage Suppression
- Terminal Block for Customer Connections
- Terminal Block for Customer Low Voltage (Class 2) Connections. See Note 2
- Terminal Block for YORK Connections Only
- Wiring and Components by YORK
- Optional Equipment
- Wiring and/or Components by Others

FIG. 17 – WIRING DIAGRAM – ACROSS-THE-LINE START

WIRING DIAGRAM ACROSS-THE-LINE START



LD09233

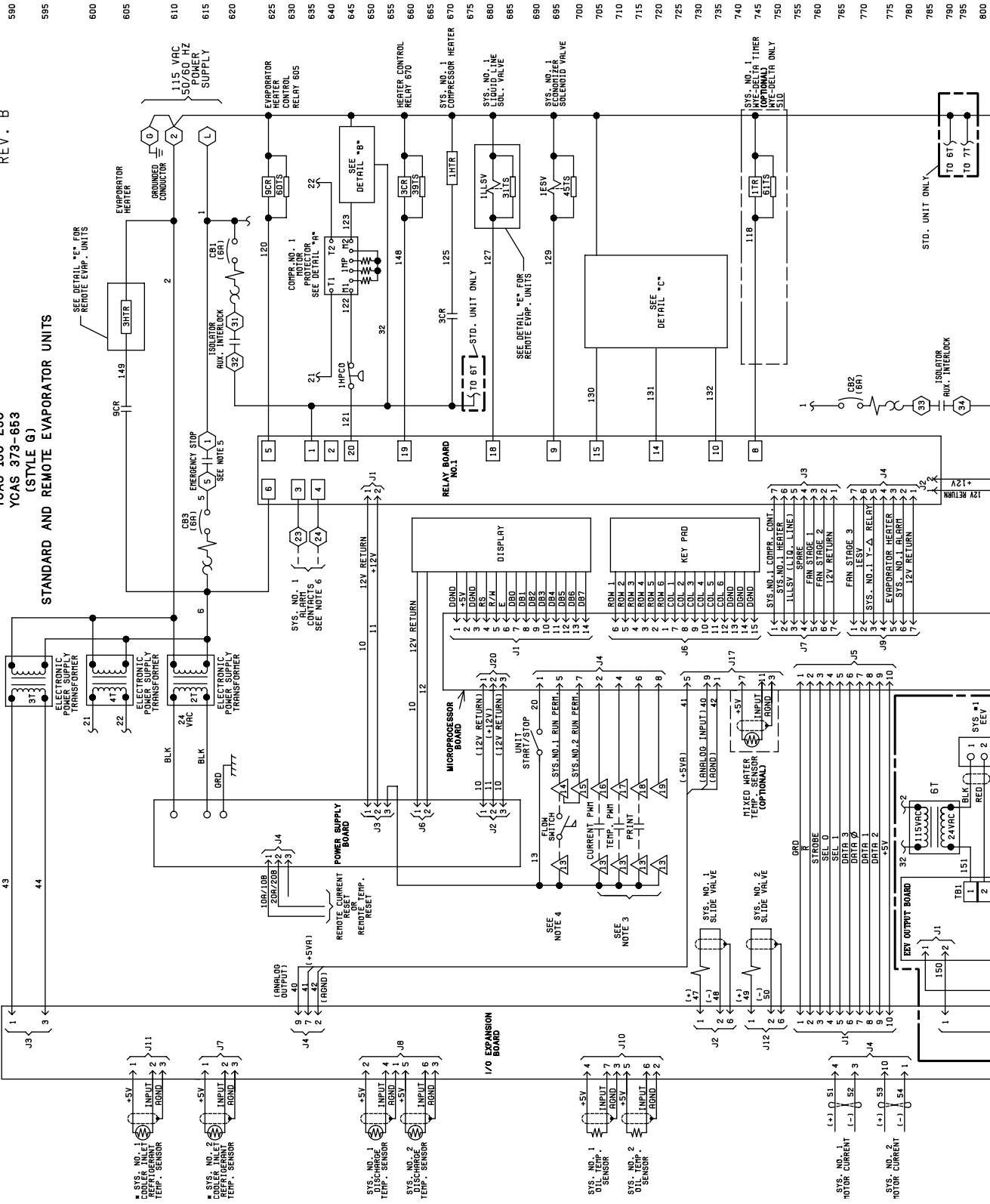
FIG. 18 – WIRING DIAGRAM – ACROSS-THE-LINE START

ELEMENTARY DIAGRAM

035-18672E101
REV. B

ELEMENTARY DIAGRAM
YCAS 130-230
YCAS 373-653
(STYLE G)

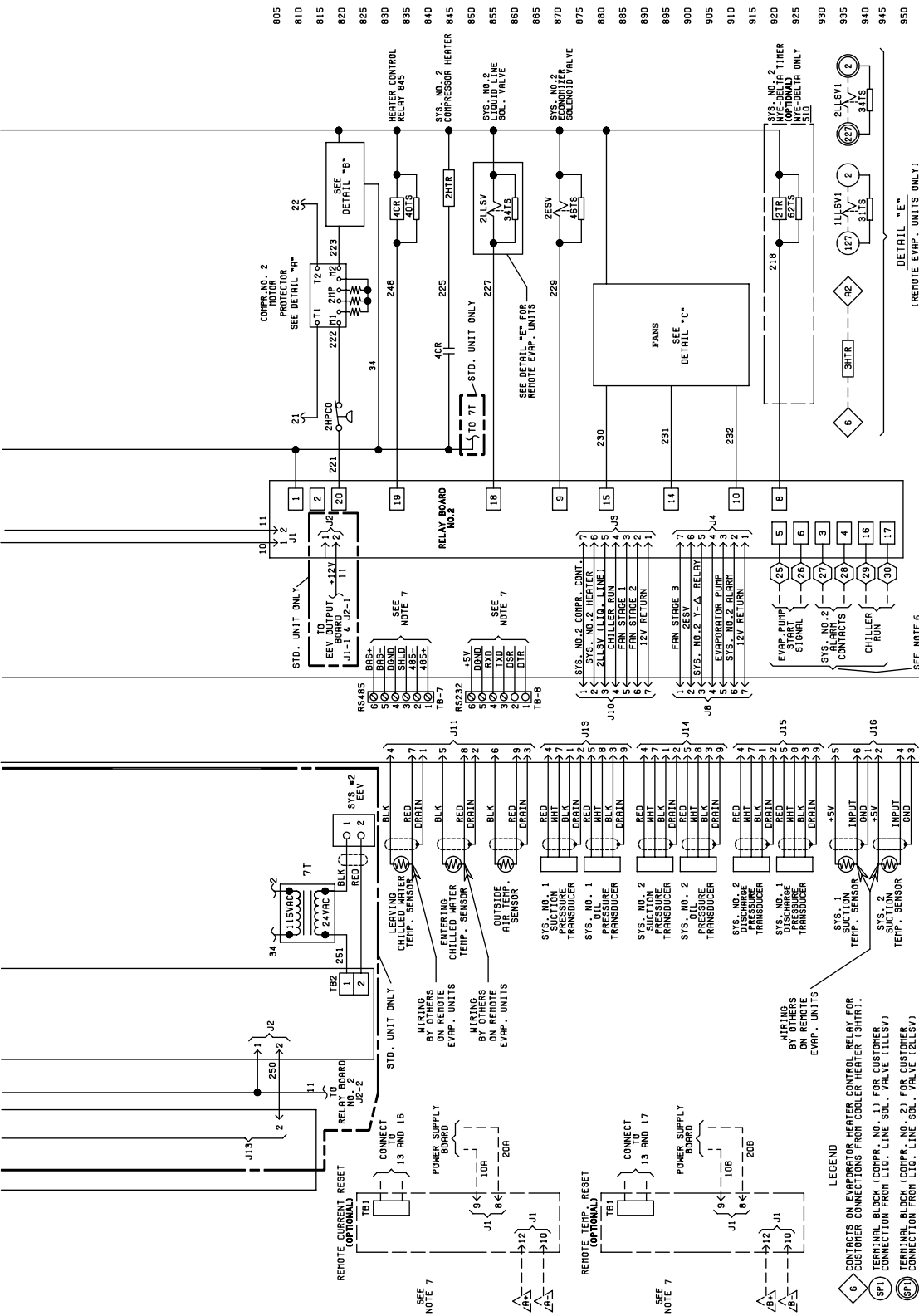
STANDARD AND REMOTE EVAPORATOR UNITS



LD09234

FIG. 19 – ELEMENTARY DIAGRAM – ACROSS-THE-LINE START

ELEMENTARY DIAGRAM



CAUTION:

No Controls (relays, etc.) should be mounted in the Smart Panel enclosure or connected to power supplies in the control panel. Additionally, control wiring not connected to the Smart Panel should not be run through the cabinet. This could result in nuisance faults.

CAUTION:

Any inductive devices (relays) wired in series with the flow switch for start/stop, into the Alarm circuitry, or pilot relays for pump starters wired through motor contactor auxiliary contacts must be suppressed with YORK P/N 031-00808-000 suppressor across the relay/contactor coil.

Any contacts connected to flow switch inputs or BAS inputs on terminals 13 - 19 or TB3, or any other terminals, must be suppressed with a YORK P/N 031-00808-000 suppressor across the relay/contactor coil.

CAUTION:

Control wiring connected to the control panel should never be run in the same conduit with power wiring.

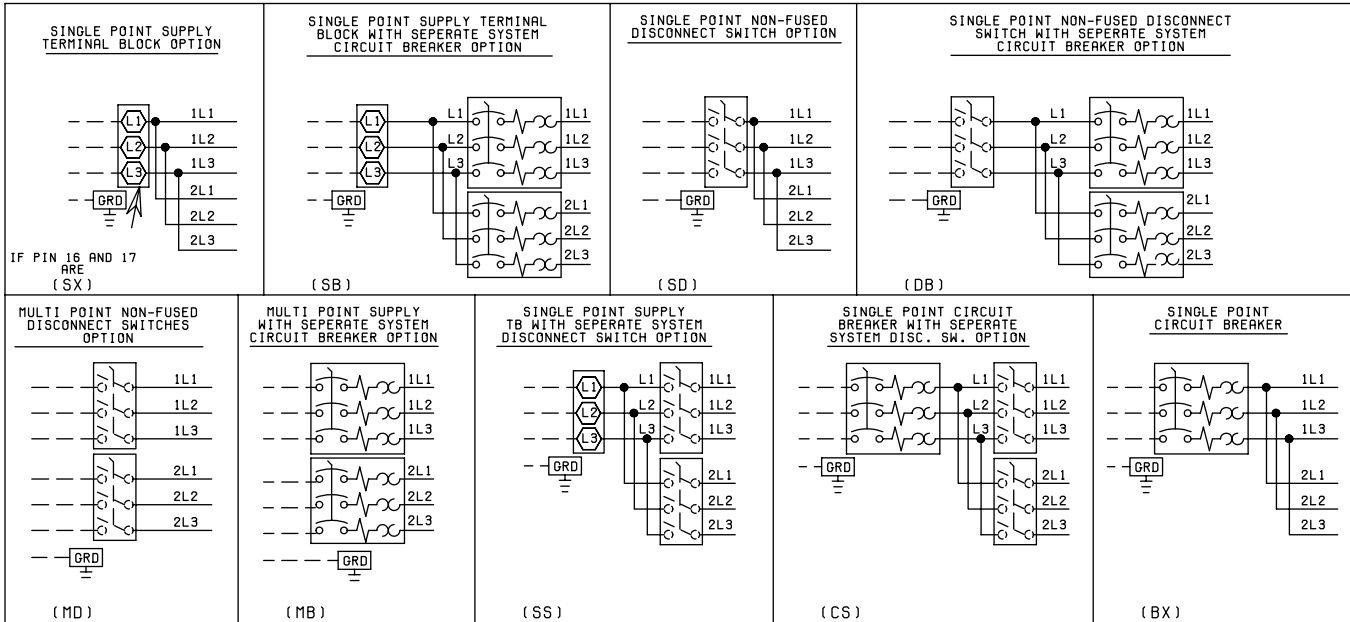
CONTROL POWER SUPPLY

UNIT VOLTAGE	CONTROL POWER SUPPLY	MIN CIRCUIT AMP.	MAX DUAL ELEMENT FUSE SIZE	NON-FUSED DISC. SWITCH SIZE
ALL MODELS W/O TRANS.	115-1-50/60	20A	20A 250V	30A 240V
MODELS WITH TRANS.	200-1-60	15A	15A 250V	30A 240V
	230-1-60	15A	15A 250V	30A 240V
	400-1-60	8A	8A 600V	30A 480V
	575-1-60	8A	8A 600V	30A 600V

* All primary and secondary wiring between transformer and control panel included.

WIRING DIAGRAM WYE-DELTA START

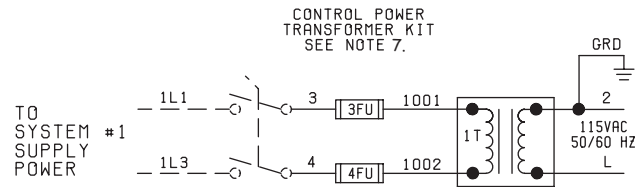
OPTIONAL EQUIPMENT SEE NOTE 7.



NOTES:

1. Field wiring to be in accordance with the current edition of the National Electrical Code as well as all other applicable codes and specifications.
2. Numbers along the right side of a diagram are line identification numbers. The numbers at each line indicate the line number location of relay contacts. An unlined contact location signifies a normally closed contact. Numbers adjacent to circuit lines are the circuit identification numbers.
3. Any customer supplied contacts must be suitable for switching 24VDC. (Gold contacts recommended.) Control Wiring must not be run in the same conduit with any line voltage wiring.
4. To cycle unit on and off automatically with contact shown, install a cycling device in series with the flow switch (FSLW). See Note 3 for contact rating and wiring specifications. Also refer to cautions on page 71.
5. To stop unit (Emergency Stop) with contacts other than those shown, install the stop contact between 5 and 1. If a stop device is not installed, a jumper must be connected between terminals 5 and 1. Device must have a minimum contact rating of 100VA at 115 volts A.C.
6. Alarm contacts are for annunciating alarm/unit malfunction. Contacts are rated at 115V, 100VA, resistive load only, and must be suppressed at load by user.
7. See Installation, Operation and Maintenance Manual when optional equipment is used.
8. Control panel to be securely connected to earth ground.

LD09231



LD09232

LEGEND

- TS Transient Voltage Suppression
- ⬡ Terminal Block for Customer Connections
- ⬠ Terminal Block for Customer Low Voltage (Class 2) Connections. See Note 2
- Terminal Block for YORK Connections Only
- Wiring and Components by YORK
- ||— Optional Equipment
- — Wiring and/or Components by Others

FIG. 20 – WIRING DIAGRAM – WYE-DELTA START

WIRING DIAGRAM WYE-DELTA START

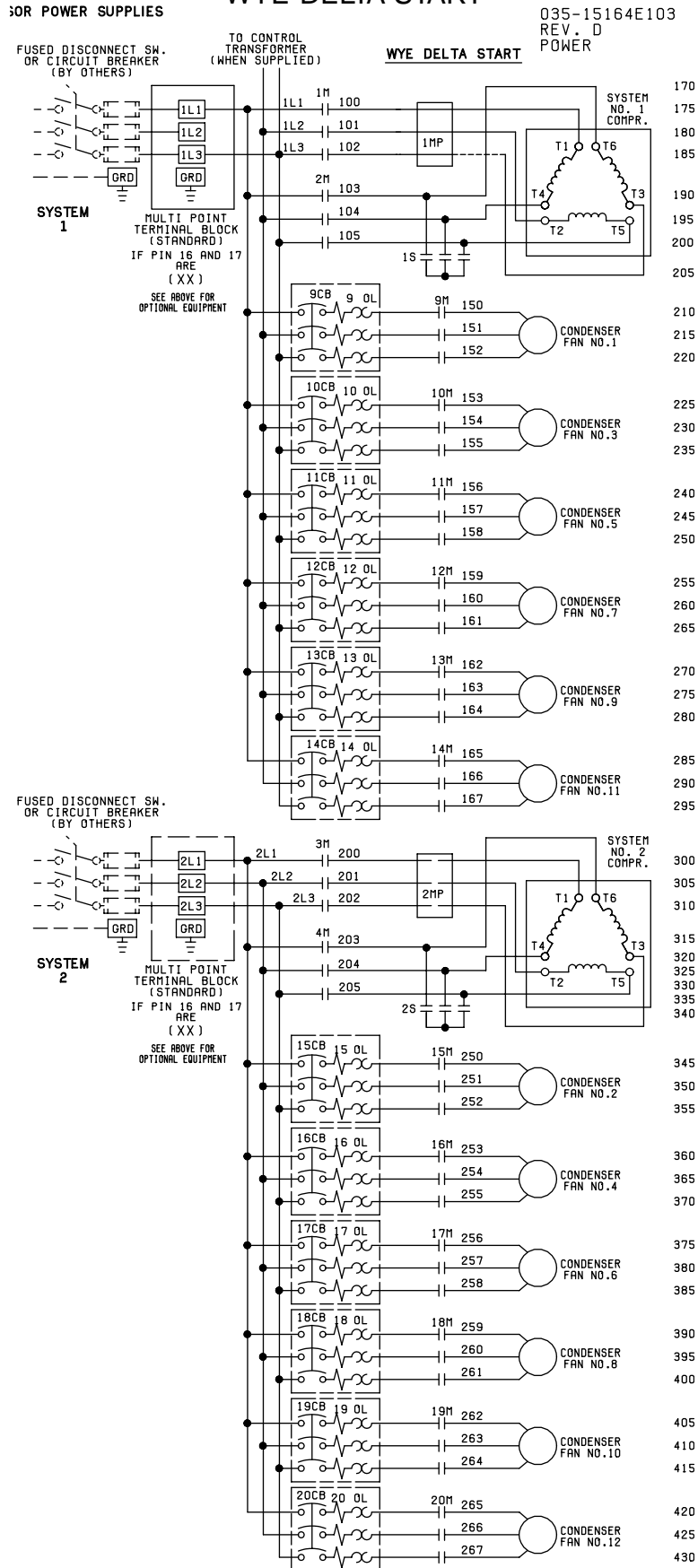


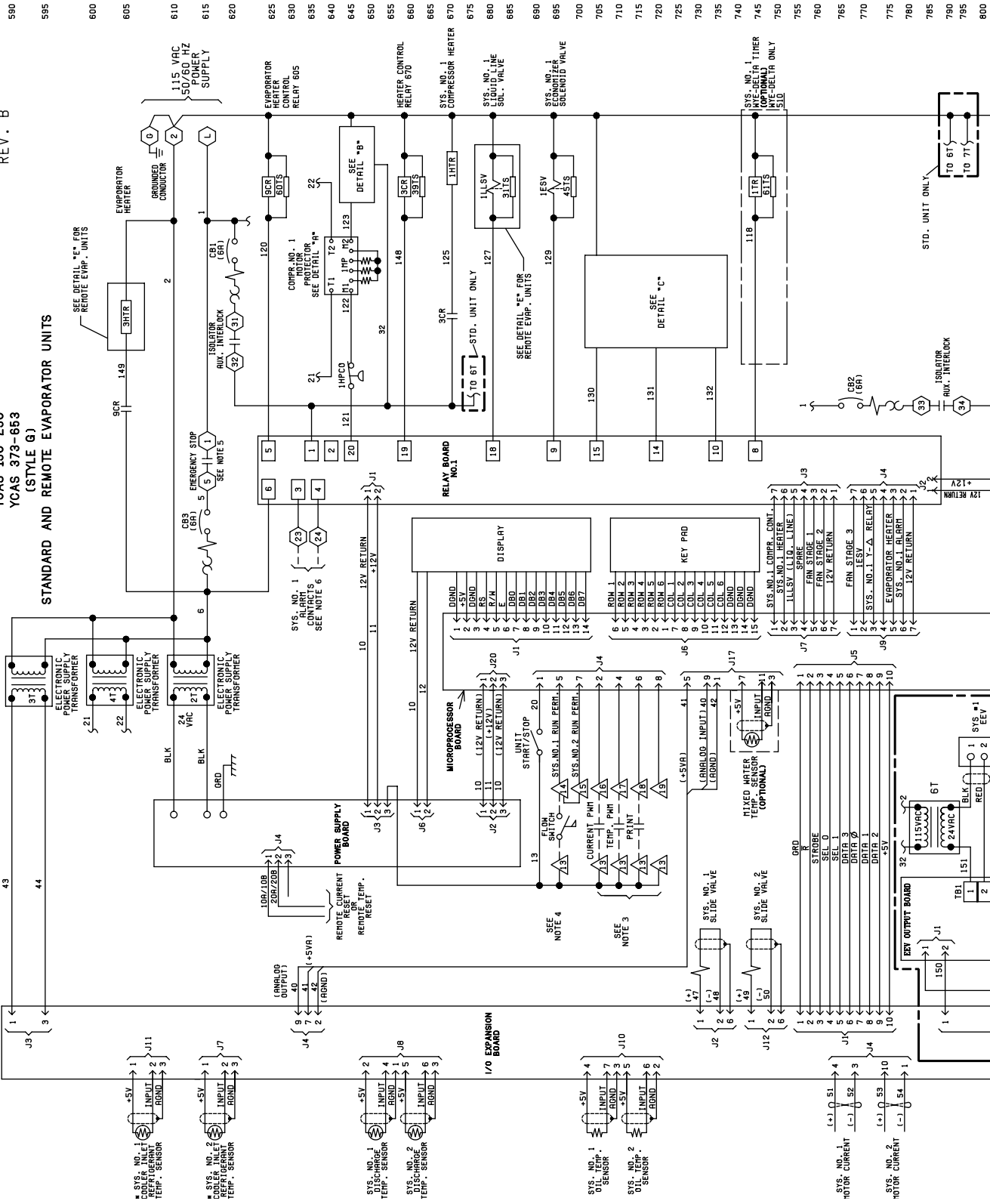
FIG. 21 – ELEMENTARY DIAGRAM – WYE-DELTA START

ELEMENTARY DIAGRAM

035-18672E101
REV. B

ELEMENTARY DIAGRAM
YCAS 130-230
YCAS 373-653
(STYLE G)

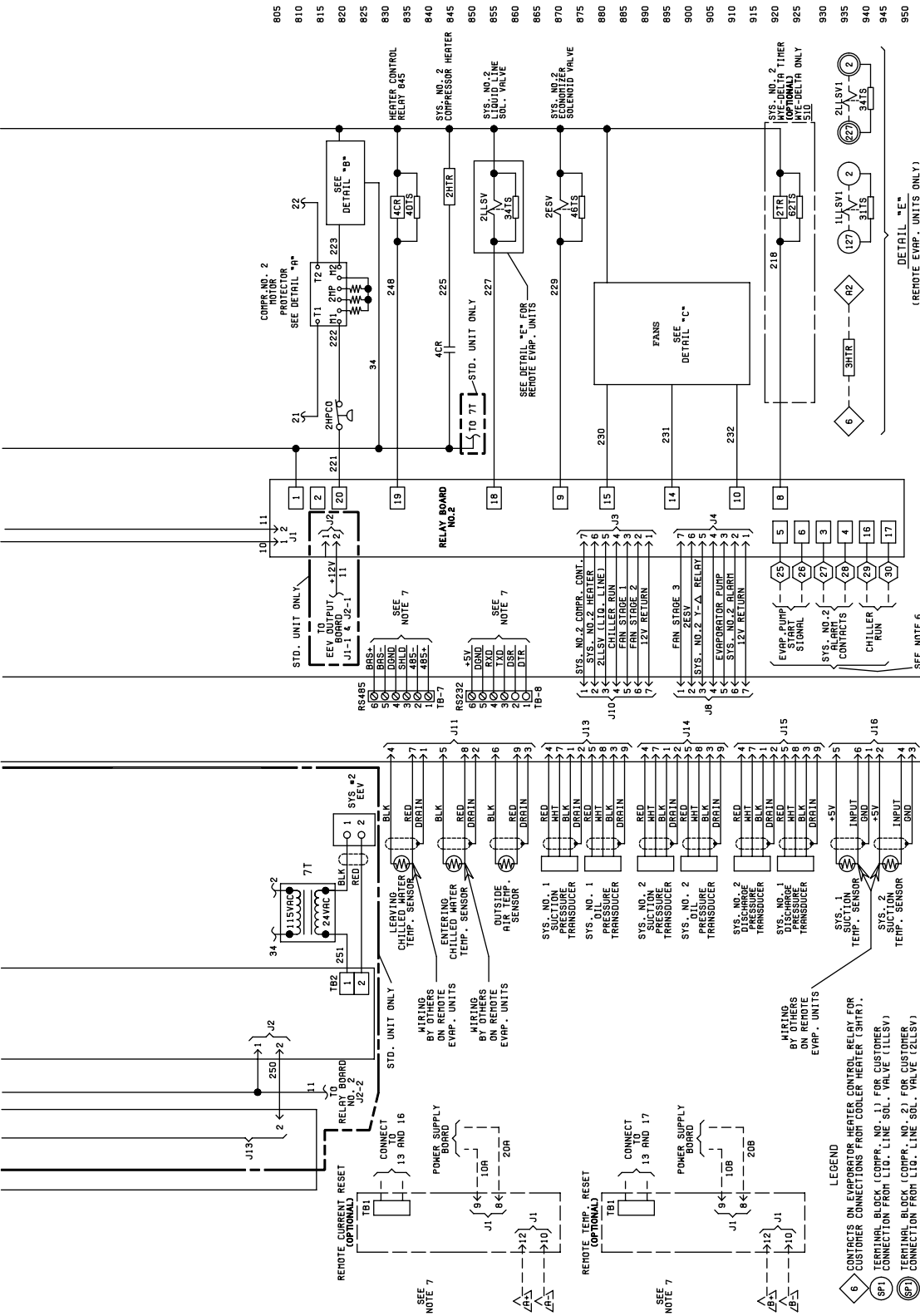
STANDARD AND REMOTE EVAPORATOR UNITS



LD09234

FIG. 22 – ELEMENTARY DIAGRAM – WYE-DELTA START

ELEMENTARY DIAGRAM



CAUTION:

No Controls (relays, etc.) should be mounted in the Smart Panel enclosure or connected to power supplies in the control panel. Additionally, control wiring not connected to the Smart Panel should not be run through the cabinet. This could result in nuisance faults.

CAUTION:

Any inductive devices (relays) wired in series with the flow switch for start/stop, into the Alarm circuitry, or pilot relays for pump starters wired through motor contactor auxiliary contacts must be suppressed with YORK P/N 031-00808-000 suppressor across the relay/contactor coil.

Any contacts connected to flow switch inputs or BAS inputs on terminals 13 - 19 or TB3, or any other terminals, must be suppressed with a YORK P/N 031-00808-000 suppressor across the relay/contactor coil.

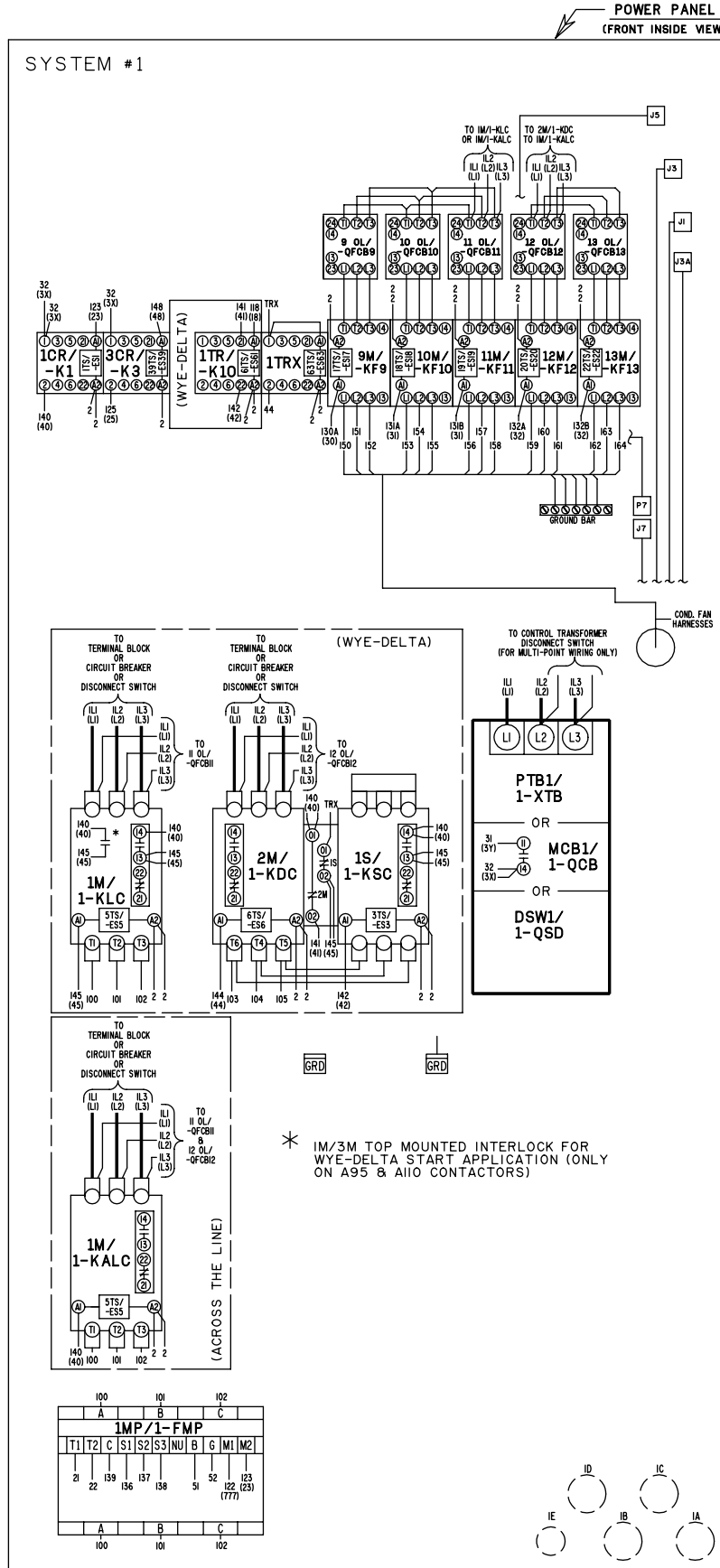
CAUTION:

Control wiring connected to the control panel should never be run in the same conduit with power wiring.

CONTROL POWER SUPPLY

UNIT VOLTAGE	CONTROL POWER SUPPLY	MIN CIRCUIT AMP.	MAX DUAL ELEMENT FUSE SIZE	NON-FUSED DISC. SWITCH SIZE
ALL MODELS W/O TRANS.	115-1-50/60	20A	20A 250V	30A 240V
MODELS WITH TRANS.	-17	15A	15A 250V	30A 240V
	-28	15A	15A 250V	30A 240V
	-46	8A	8A 600V	30A 480V
	-58	8A	8A 600V	30A 600V

* All primary and secondary wiring between transformer and control panel included.



LD09238

FIG. 22A – POWER PANEL (SYSTEM #1) COMPONENT LOCATIONS

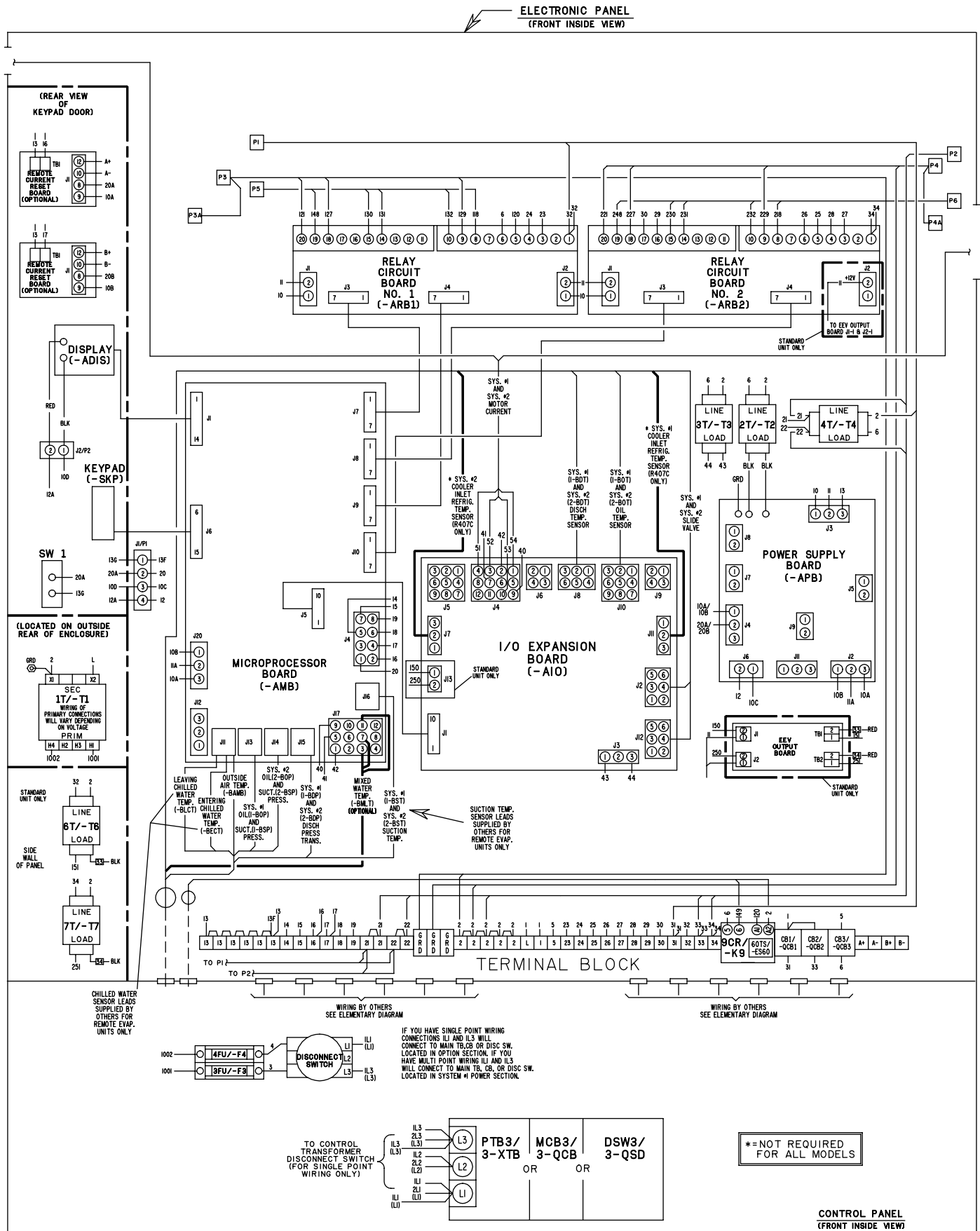
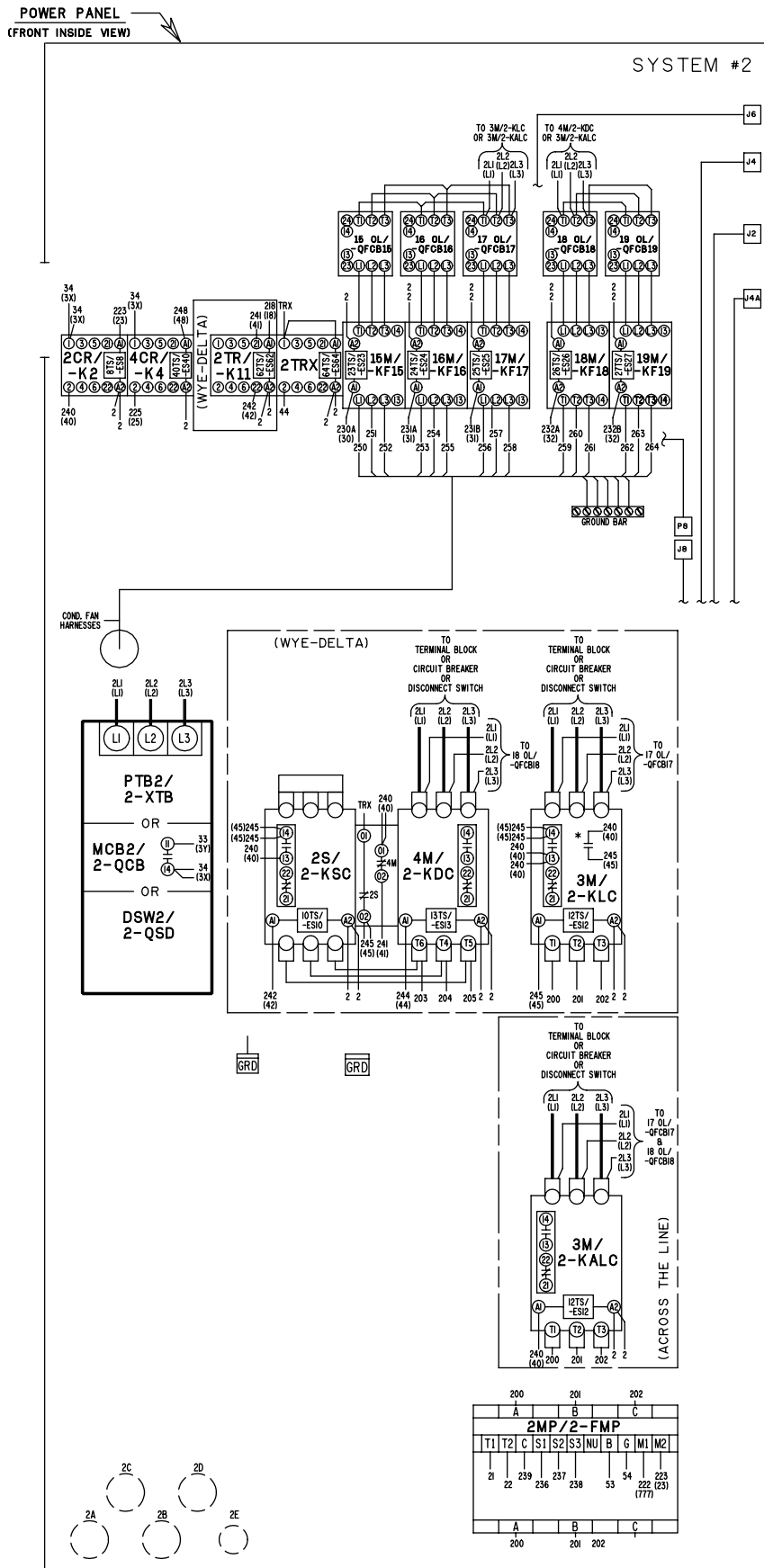


FIG. 22B – CONTROL PANEL COMPONENT LOCATION

LD09239



LD09240

FIG. 22C – POWER PANEL (SYSTEM #2) COMPONENT LOCATIONS

LEGEND

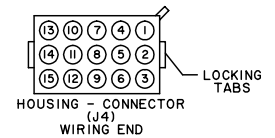
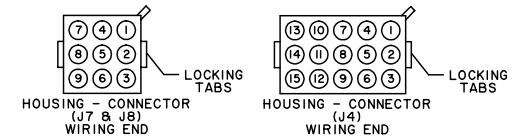
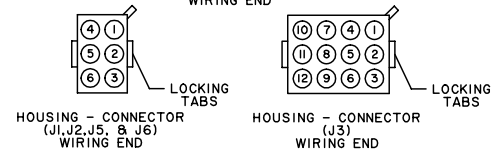
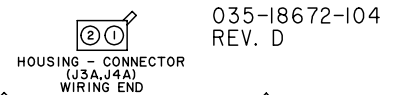
- | | | | | | |
|---|--|---|--|--|---|
| 1CR THRU 4CR, 9CR/
-K1 THRU -K4, -K9
CB1, CB2, CB3/
-QCB1, -QBC2, -QCB3
9CB THRU 13CB | -CONTROL RELAYS
-CIRCUIT BREAKERS
-OVERLOAD CIRCUIT BREAKERS (SYS. #1)
-OVERLOAD CIRCUIT BREAKERS (SYS. #2) | 1M, 3M/
1-KLC OR 1-KALC,
2M, 4M/
1-KDC, 2-KDC
1S, 2S/
1-KSC, 2-KSC
9M THRU 13M/
-KF9 THRU -KF13
15M THRU 19M/
-KF15 THRU -KF19
1MP/1-FMP
2MP/2-FMP
1T/-T1 | -COMPRESSOR CONTACTORS
-COMPRESSOR CONTACTORS
-COMPRESSOR CONTACTORS
-CONDENSER FAN CONTACTORS (SYS. #1)
-CONDENSER FAN CONTACTORS (SYS. #2)
-MOTOR PROTECTOR (SYS. #1)
-MOTOR PROTECTOR (SYS. #2)
-CONTROL TRANSFORMER 2KVA (OPTIONAL) | 2T, 3T, 4T/
-T2, -T3, -T4
1TR, 2TR/
-K10, -K11
TS/-ES
PTB1, PTB2/
1-XTB, 2-XTB
MCB1, MCB2/
1-QCB, 2-QCB
DSW1, DSW2/
1-QSD, 2-QSD | -MICRO PANEL TRANSFORMERS
-TIMER RELAYS
-TRANSIENT SUPPRESSORS
-POWER TERMINAL BLOCK
-MOTOR CIRCUIT BREAKER
-DISCONNECT SERVICE SWITCH
-WIRING BY YORK
-WIRING BY OTHERS
-OPTIONAL WIRING AND/OR COMPONENTS |
|---|--|---|--|--|---|

CONNECTION DIAGRAM, ELEC. BOX YCAS0130-0230 YCAS0373-0653

STANDARD AND REMOTE EVAP. UNITS

J1, J2, J3, J3A, J4, J4A, — POWER PANEL
J5, J6, J7, J8, P7 & P8
P1, P2, P3,
P4, P5, & P6 — ELECTRONIC (MICRO) PANEL

NOTE: WIRE NUMBERS IDENTIFIED IN (PARENTHESIS) INDICATE THE ACTUAL HARNESS CODE STAMPED ON THE WIRE.



PLUG NO.	WIRE NO.	PLUG PIN NO.
P1	21	1
	2	2
	22	3
	31	4
	32	5

PLUG NO.	WIRE NO.	PLUG PIN NO.
P2	21	1
	2	2
	22	3
	33	4
34	5	

PLUG NO.	WIRE NO.	PLUG PIN NO.
P3	2	1
	GRD	2
	125(25)	4
	129	5
	127	6
	121	11
	222(777)	12

PLUG NO.	WIRE NO.	PLUG PIN NO.
P4	2	1
	GRD	2
	225(25)	3
	227	4
	229	5
	221	11
	222(777)	12

PLUG NO.	WIRE NO.	PLUG PIN NO.
J1	21	1
	2	2
	22	3
	3Y	4
	3X	5

PLUG NO.	WIRE NO.	PLUG PIN NO.
J2	21	1
	2	2
	22	3
	3Y	4
	3X	5

PLUG NO.	WIRE NO.	PLUG PIN NO.
J3	2	1
	GRD	2
	125A	4
	129A	5
	127A	6
	121A	11
	122	12

PLUG NO.	WIRE NO.	PLUG PIN NO.
J4	2	1
	GRD	2
	225A	3
	227A	4
	229A	5
	221A	11
	222	12

PLUG NO.	WIRE NO.	PLUG PIN NO.
P3A	125	1
	122	2

PLUG NO.	WIRE NO.	PLUG PIN NO.
P5	130	1
	131	2
	132	3
	148	4
118	6	

PLUG NO.	WIRE NO.	PLUG PIN NO.
P6	230	1
	231	2
	232	3
	248	4
	218	6

PLUG NO.	WIRE NO.	PLUG PIN NO.
P7	125	1
	2	2
	123	3
	140	4
	141	5
	142	6
	32	7
	TRX	8
	44	9

PLUG NO.	WIRE NO.	PLUG PIN NO.
P8	225	1
	2	2
	223	3
	240	4
	241	5
	242	6
	34	7
	TRX	8
44	9	

PLUG NO.	WIRE NO.	PLUG PIN NO.
P4A	225	1
	225	2

PLUG NO.	WIRE NO.	PLUG PIN NO.
J5	30	1
	31	2
	32	3
	48	4
18	6	

PLUG NO.	WIRE NO.	PLUG PIN NO.
J6	30	1
	31	2
	32	3
	48	4
18	6	

PLUG NO.	WIRE NO.	PLUG PIN NO.
J7	25	1
	2	2
	23	3
	40	4
	41	5
	42	6
	3X	7
	TRX	8
	44	9



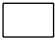



PLUG NO.	WIRE NO.	PLUG PIN NO.
J8	25	1
	2	2
	23	3
	40	4
	41	5
	42	6
	3X	7
	TRX	8
	44	9

NOTES:

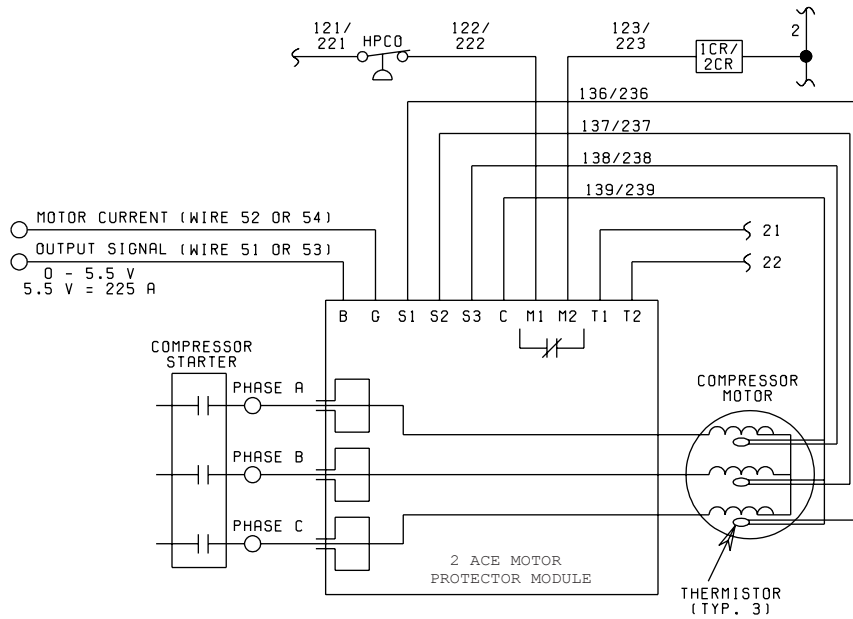
1. FIELD WIRING TO BE IN ACCORDANCE WITH THE CURRENT EDITION OF THE NATIONAL ELECTRICAL CODE AS WELL AS ALL OTHER APPLICABLE CODES AND SPECIFICATIONS.
2. CONTACTS MUST BE SUITABLE FOR SWITCHING 24VDC. (GOLD CONTACTS RECOMMENDED). WIRING SHALL NOT BE RUN IN THE SAME CONDUIT WITH ANY LINE VOLTAGE (CLASS 1) WIRING.
3. TO CYCLE UNIT ON AND OFF AUTOMATICALLY WITH CONTACT SHOWN, INSTALL A CYCLING DEVICE IN SERIES WITH THE FLOW SWITCH. SEE NOTE 2 FOR CONTACT RATING AND WIRING SPECIFICATIONS.
4. TO STOP UNIT (EMERGENCY STOP) WITH CONTACTS OTHER THAN THOSE SHOWN, INSTALL THE STOP CONTACT BETWEEN TERMINALS 5 AND I. IF A STOP DEVICE IS NOT INSTALLED, A JUMPER MUST BE CONNECTED BETWEEN TERMINALS 5 AND I. DEVICE MUST HAVE A MINIMUM CONTACT RATING OF 6A AT 115VOLTS A.C.
5. CONTACTS ARE RATED AT 115V, 100VA, RESISTIVE LOAD ONLY, AND MUST BE SUPPRESSED AT LOAD BY USER.
6. SEE INSTALLATION, OPERATION AND MAINTENANCE MANUAL WHEN OPTIONAL EQUIPMENT IS USED.

LD03282

LEGEND

- TS TRANSIENT VOLTAGE SUPPRESSION
-  TERMINAL BLOCK FOR CUSTOMER CONNECTIONS
-  TERMINAL BLOCK FOR CUSTOMER LOW VOLTAGE (CLASS 2) CONNECTIONS. SEE NOTE 2.
-  TERMINAL BLOCK FOR YORK CONNECTIONS ONLY
-  WIRING AND COMPONENTS BY YORK
-  OPTIONAL EQUIPMENT
-  WIRING AND/OR COMPONENTS BY OTHERS

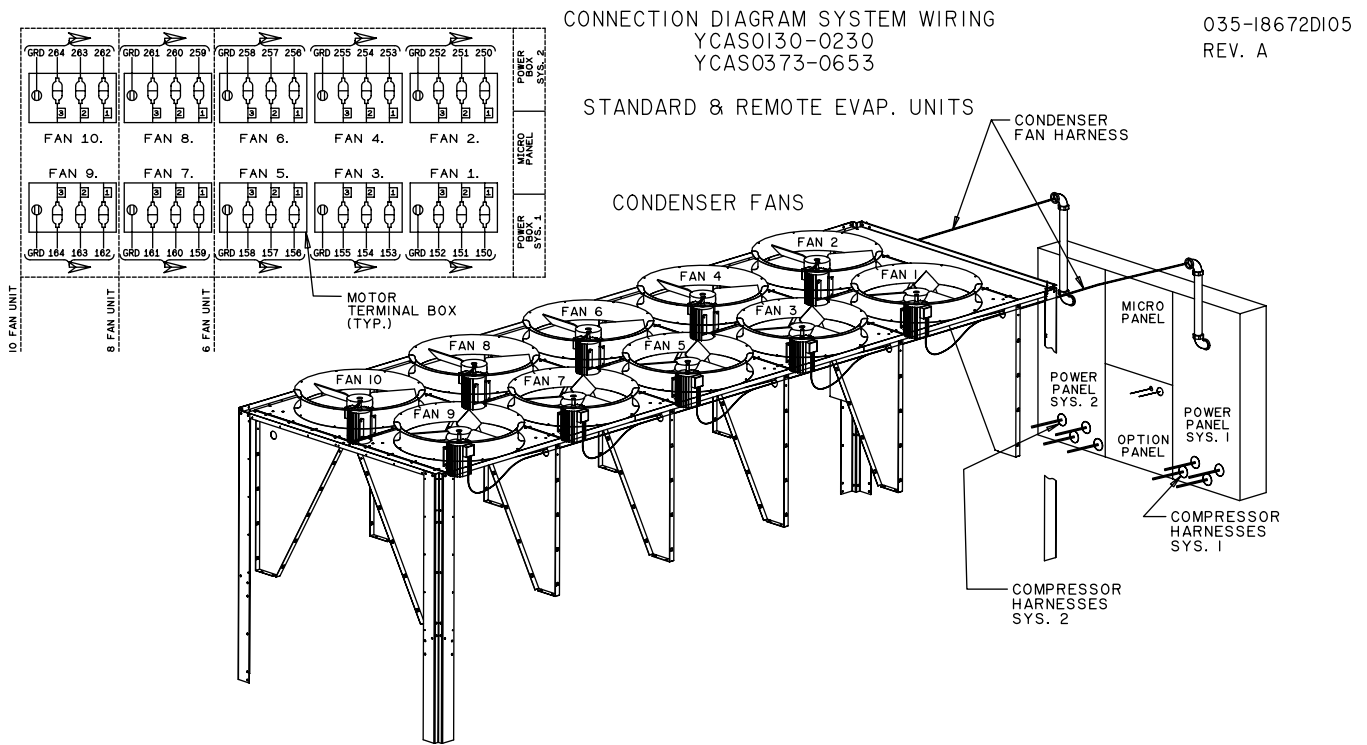
LD03283



DETAIL "A"

LD03284

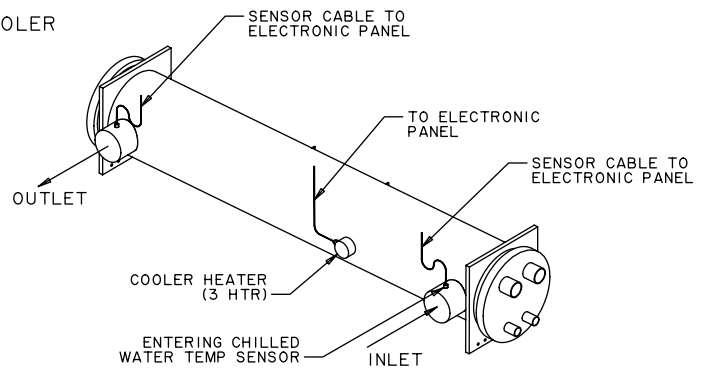
CONNECTION DIAGRAM (SYSTEM WIRING)



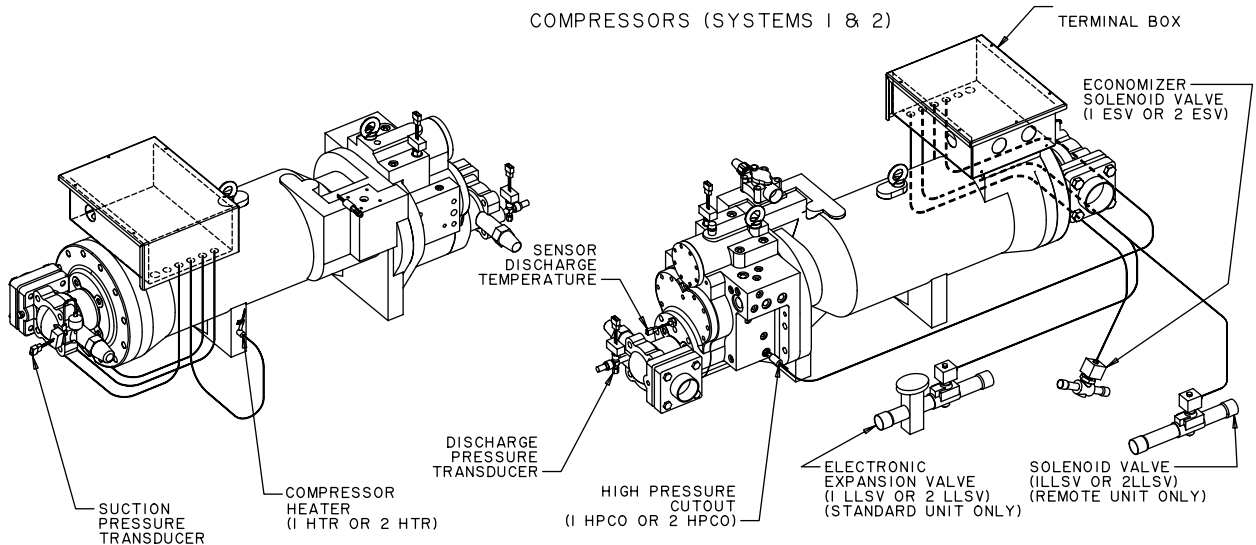
LEGEND

- 1 HPCO SYS. No.1 HIGH PRESS. CUTOUT
- 2 HPCO SYS. No.2 HIGH PRESS. CUTOUT
- 1 HTR SYS. No.1 COMPR. CRANKCASE HEATER
- 2 HTR SYS. No.2 COMPR. CRANKCASE HEATER
- 3 HTR COOLER HEATER
- 1 LLSV SYS. No.1 ELECTRONIC EXPANSION VALVE PILOT SOLENOID (STAN. UNIT ONLY)
- 2 LLSV SYS. No.2 ELECTRONIC EXPANSION VALVE PILOT SOLENOID (STAN. UNIT ONLY)
- 1 LLSV SYS. No.1 LIQUID LINE SOLENOID VALVE (REMOTE UNIT ONLY)
- 2 LLSV SYS. No.2 LIQUID LINE SOLENOID VALVE (REMOTE UNIT ONLY)
- 1 ESV ECONOMIZER SOLENOID VALVE (UNIT IDENT)
- 2 ESV ECONOMIZER SOLENOID VALVE (UNIT IDENT)
- TXV 1 SYS. No.1 THERMAL EXPANSION VALVE (UNIT)
- TXV 2

COOLER



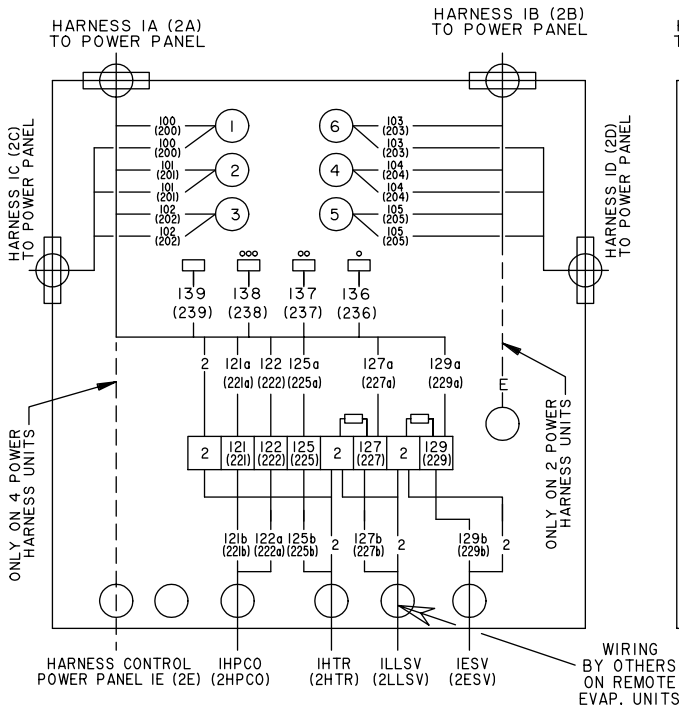
COMPRESSORS (SYSTEMS 1 & 2)



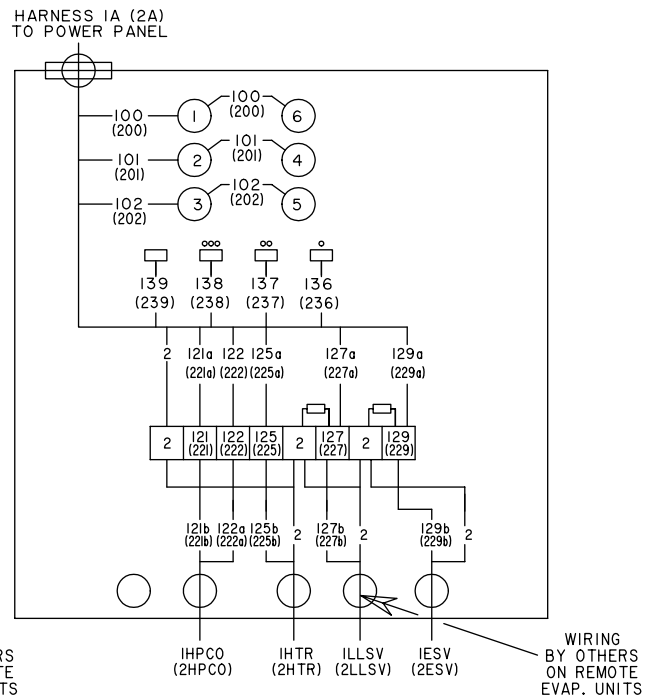
7

COMPRESSOR TERMINAL BOX

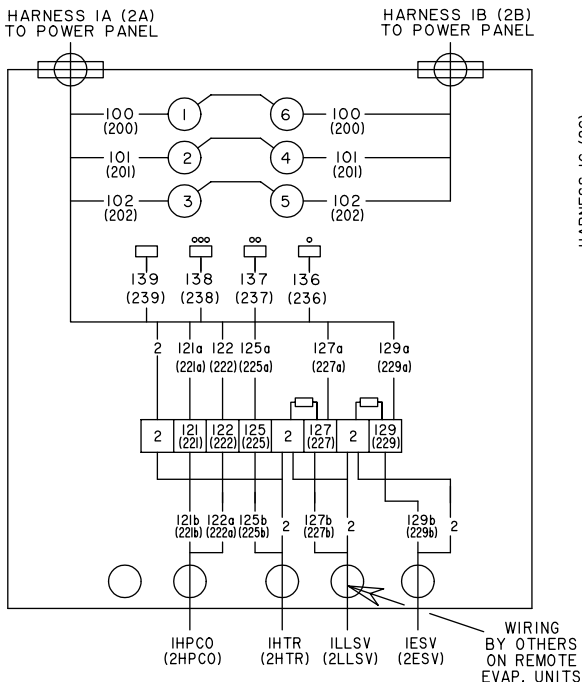
SYSTEM I & 2 WYE-DELTA-START
2 & 4 POWER HARNESS UNITS



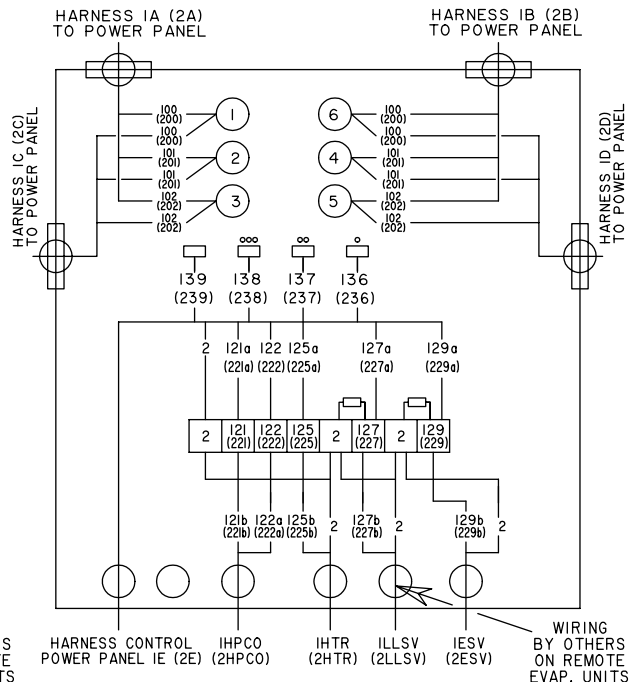
SYSTEM I & 2 ACROSS THE LINE
1 POWER HARNESS UNITS



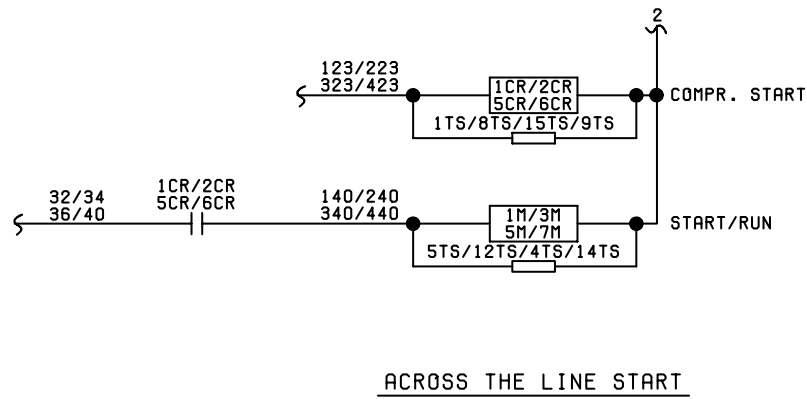
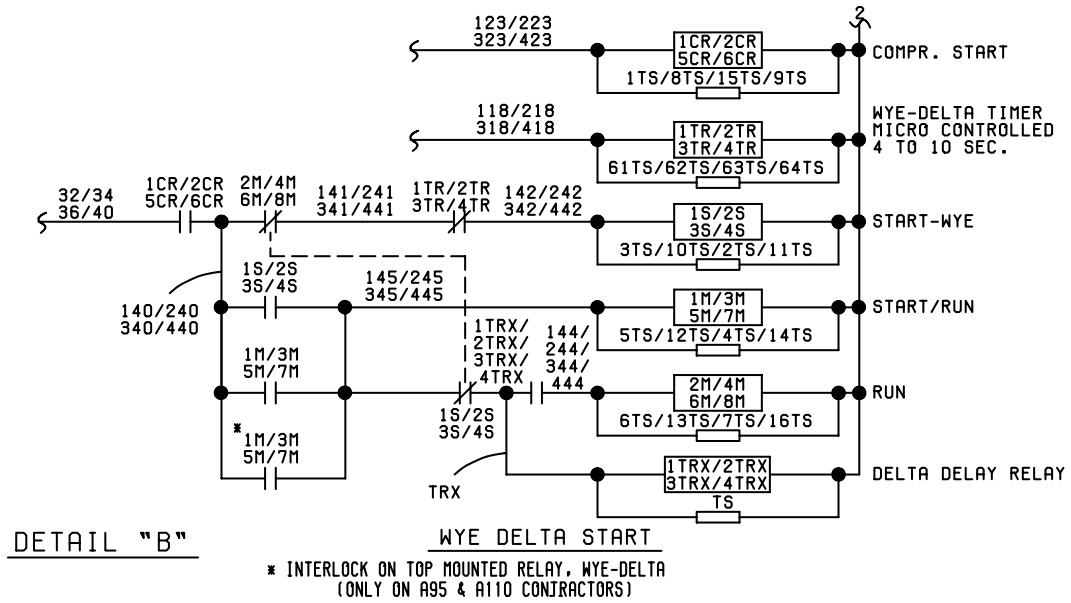
SYSTEM I & 2 ACROSS THE LINE
2 POWER HARNESS UNITS



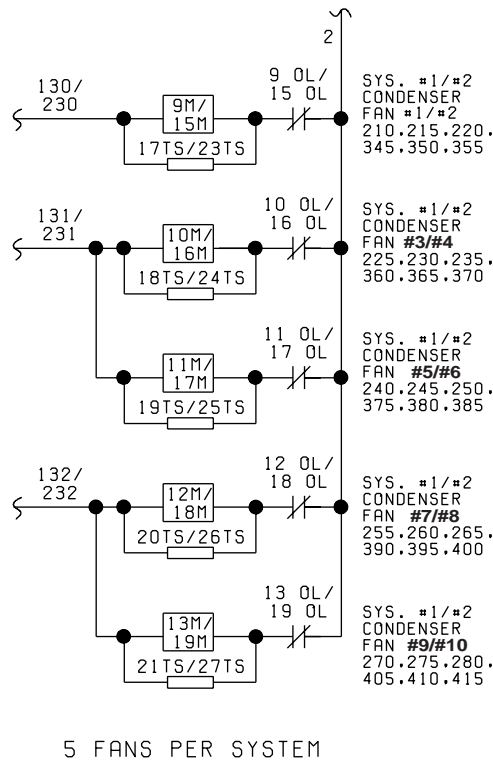
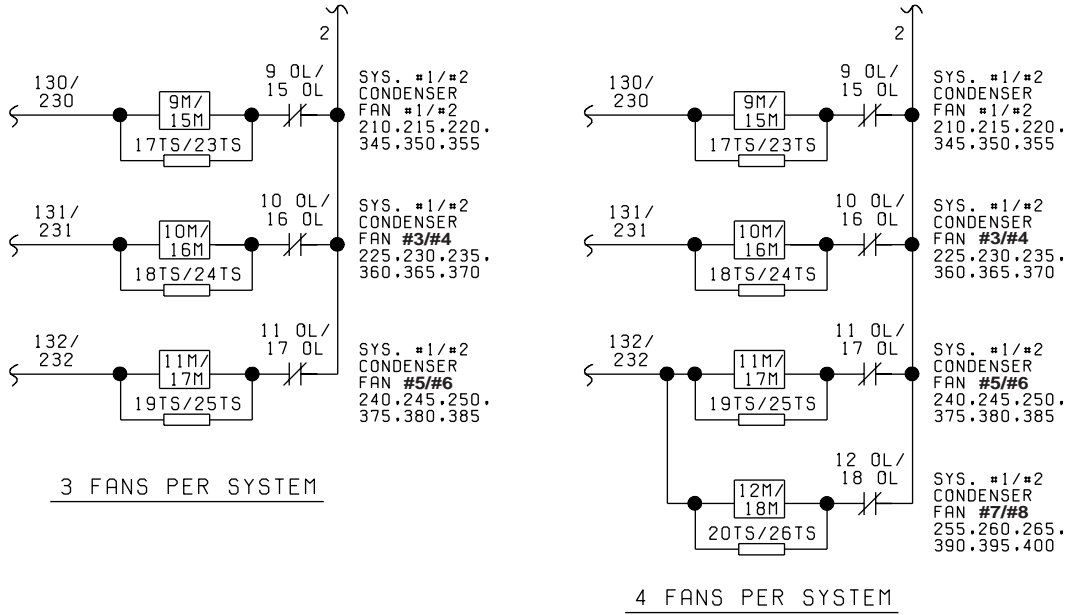
SYSTEM I & 2 WYE-DELTA-START
4 POWER HARNESS UNITS



ELEMENTARY DIAGRAM CONTROL CIRCUIT



ELEMENTARY DIAGRAM



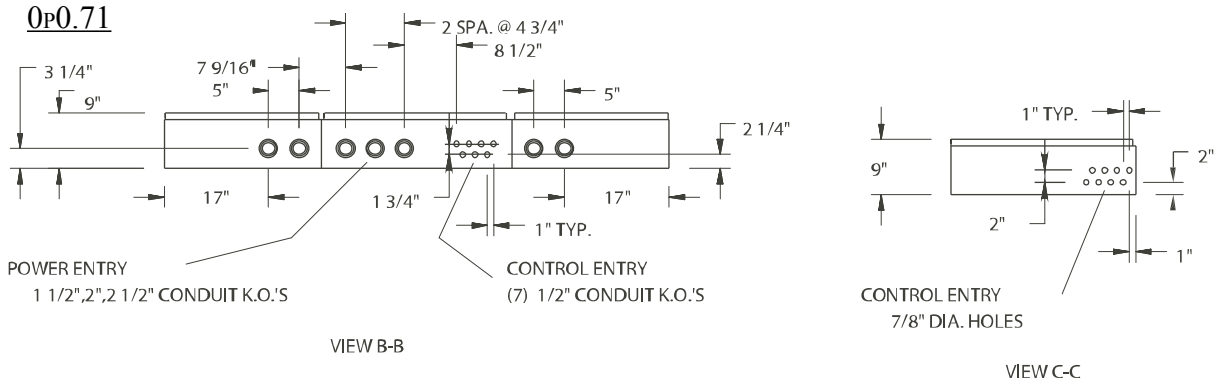
LD06840

DETAIL "C"

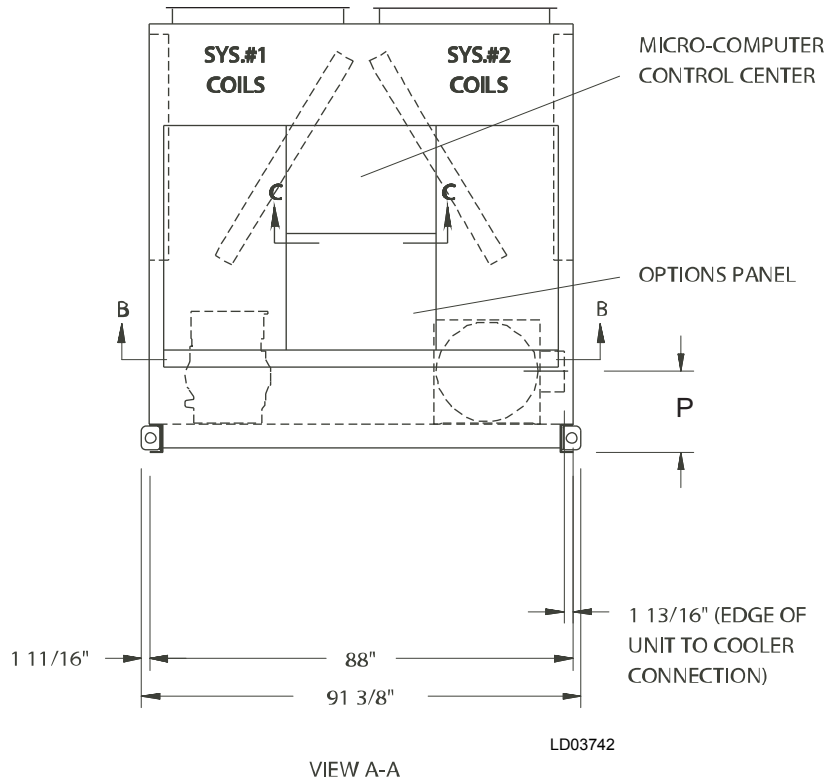
SEE ENGINEERING GUIDE OR INSTALLATION, OPERATION AND MAINTENANCE MANUAL FOR NUMBER OF CONDENSER FANS FOR CHILLER MODEL.

This page intentionally left blank.

DIMENSIONS – YCAS0130 - YCAS0180 (ENGLISH)



LD03742a



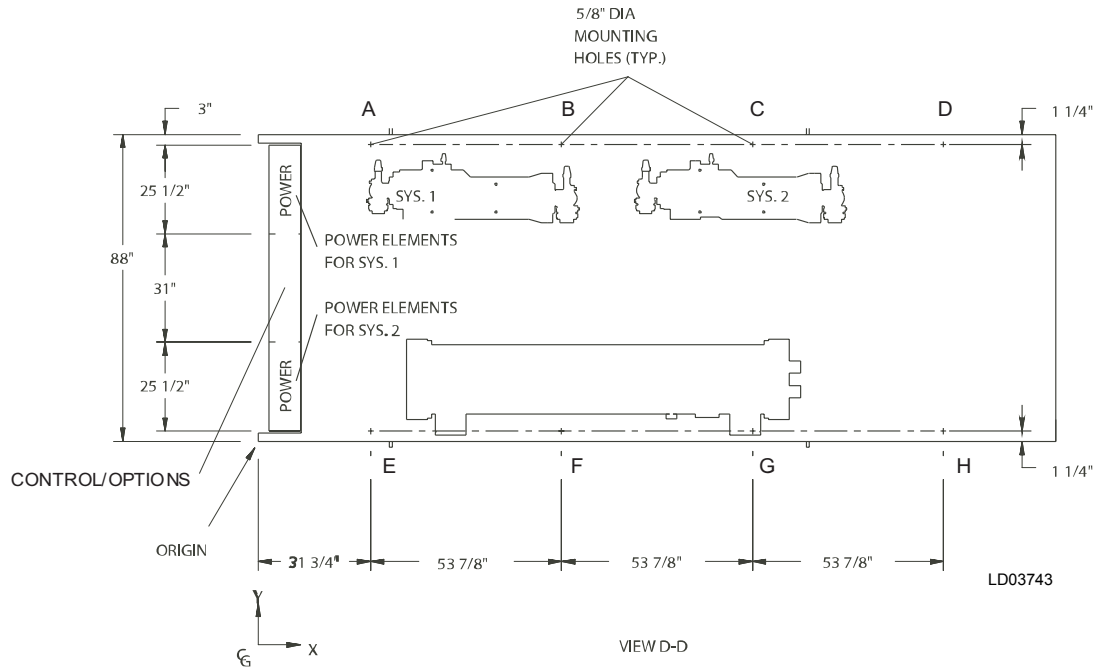
DIMENSION	MODELS 130 - 140	MODELS 150 - 180
P	17-1/4"	18"

NOTES:

1. Placement on a level surface free of obstructions (including snow, for winter operation) or air recirculation ensures rated performance, reliable operation and ease of maintenance. Site restrictions may compromise minimum clearances indicated below, resulting in unpredictable air flow patterns and possible diminished performance. YORK's unit controls will optimize operation without nuisance high pressure safety cutout; however, the system designer must consider potential performance degradation. Access to the unit control center assumes the unit is no higher than on spring isolators. Recommended minimum clearances: Side to wall - 6'; rear to wall - 6'; control panel end to wall - 4'; top - no obstructions allowed; distance between adjacent units - 10'. No more than one adjacent wall may be higher than the unit.

FIG. 23 – MODEL YCAS0130 - 0180 DIMENSIONS (ENGLISH)

DIMENSIONS – YCAS0130 - YCAS0180 (ENGLISH)

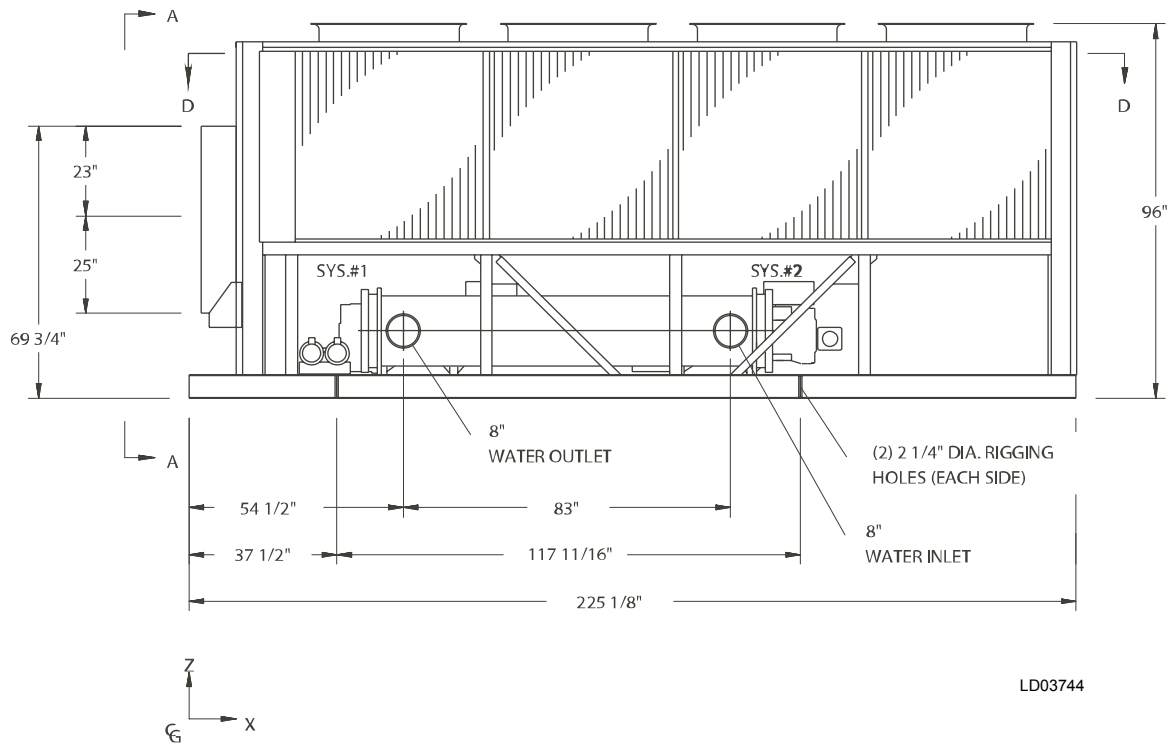


CENTER OF GRAVITY (Alum.)

YCAS	X	Y	Z
0130	101.3"	44.4"	37.8"
0140	101.3"	44.4"	37.8"
0150	106.7"	42.8"	36.2"
0160	107.0"	43.0"	36.2"
0170	107.0"	43.0"	36.2"
0180	107.0"	43.0"	36.2"

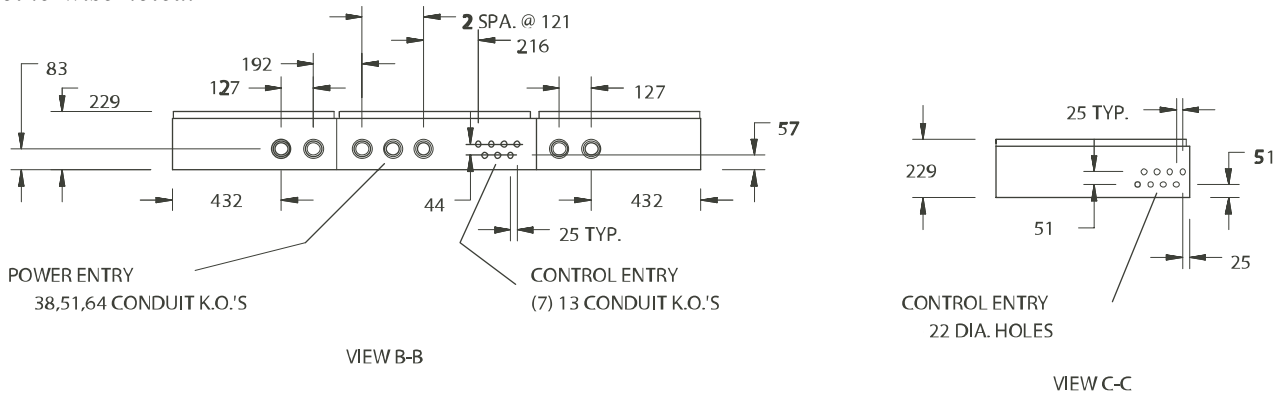
CENTER OF GRAVITY (Copper)

YCAS	X	Y	Z
0130	103.5"	44.4"	40.7"
0140	103.5"	44.4"	40.7"
0150	108.2"	43.0"	39.2"
0160	108.4"	43.1"	39.1"
0170	108.4"	43.1"	39.1"
0180	108.4"	43.1"	39.1"

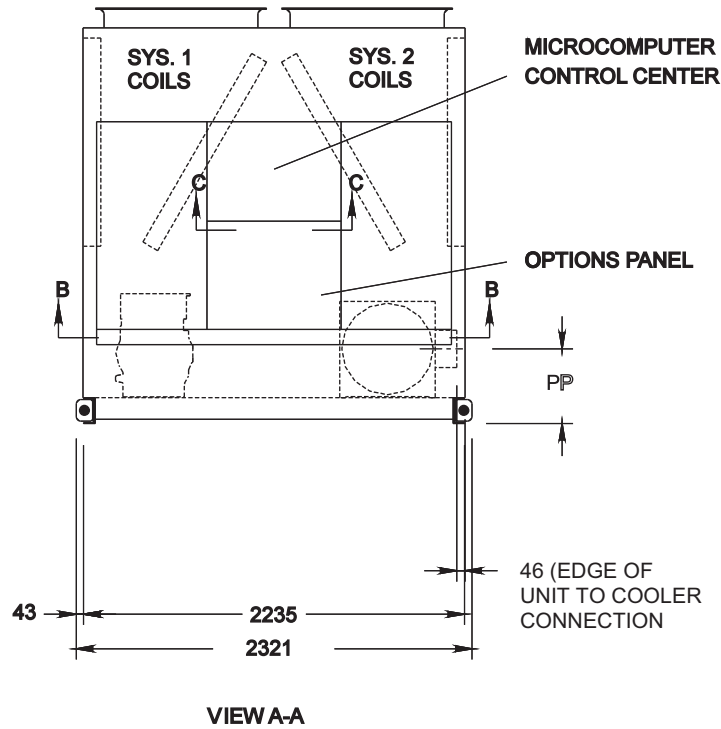


DIMENSIONS – YCAS0130 - YCAS0180 (SI)

All dimensions are in mm unless otherwise noted.



LD03745a



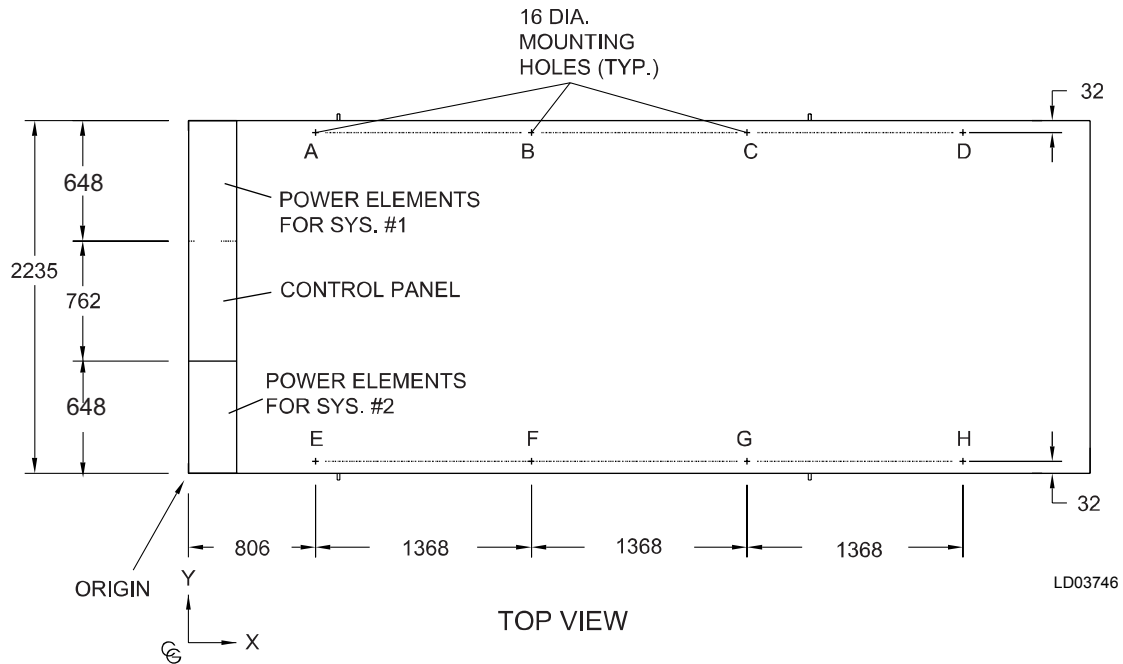
DIMENSION	MODELS	MODELS
	130 - 140	150 - 180
P	438	457

NOTES:

1. Placement on a level surface free of obstructions (including snow, for winter operation) or air recirculation ensures rated performance, reliable operation and ease of maintenance. Site restrictions may compromise minimum clearances indicated below, resulting in unpredictable air flow patterns and possible diminished performance. YORK's unit controls will optimize operation without nuisance high pressure safety cutout; however, the system designer must consider potential performance degradation. Access to the unit control center assumes the unit is no higher than on spring isolators. Recommended minimum clearances: Side to wall - 2m; rear to wall - 2m; control panel end to wall - 1.2m; top - no obstructions allowed; distance between adjacent units - 3m. No more than one adjacent wall may be higher than the unit.

FIG. 24 – MODEL YCAS0130 - 0180 DIMENSIONS (SI)

DIMENSIONS – YCAS0130 - YCAS0180 (SI)



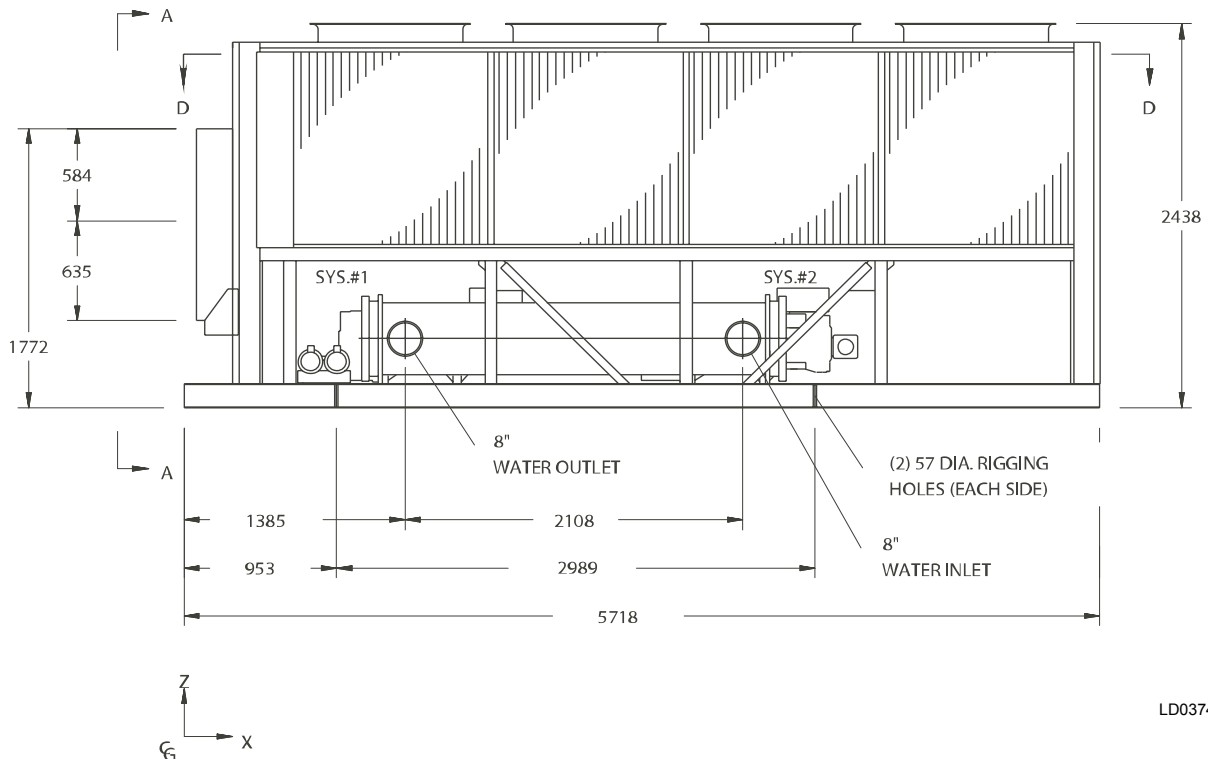
LD03746

CENTER OF GRAVITY (Alum.)

YCAS	X	Y	Z
0130	2573.0	1127.8	960.1
0140	2573.0	1127.8	960.1
0150	2710.2	1087.1	919.5
0160	2717.8	1092.2	919.5
0170	2717.8	1092.2	919.5
0180	2717.8	1092.2	919.5

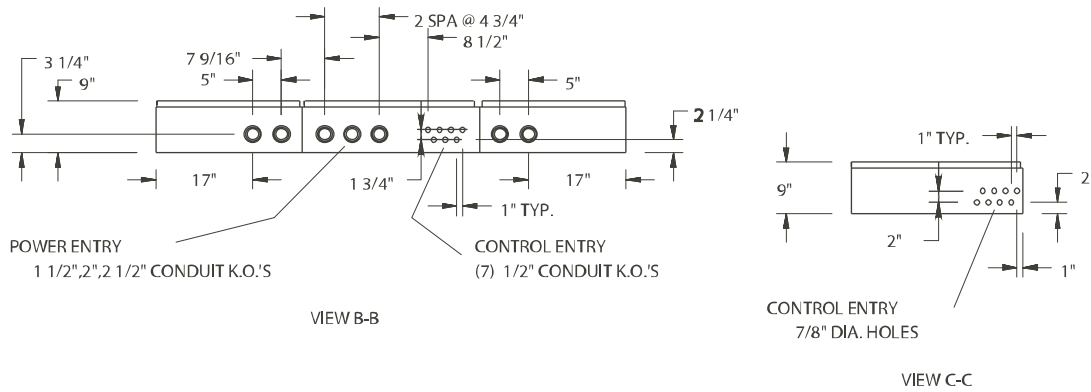
CENTER OF GRAVITY (Copper)

YCAS	X	Y	Z
0130	2628.9	1127.8	1033.8
0140	2628.9	1127.8	1033.8
0150	2748.3	1092.2	995.7
0160	2573.4	1094.7	993.1
0170	2573.4	1094.7	993.1
0180	2573.4	1094.7	993.1

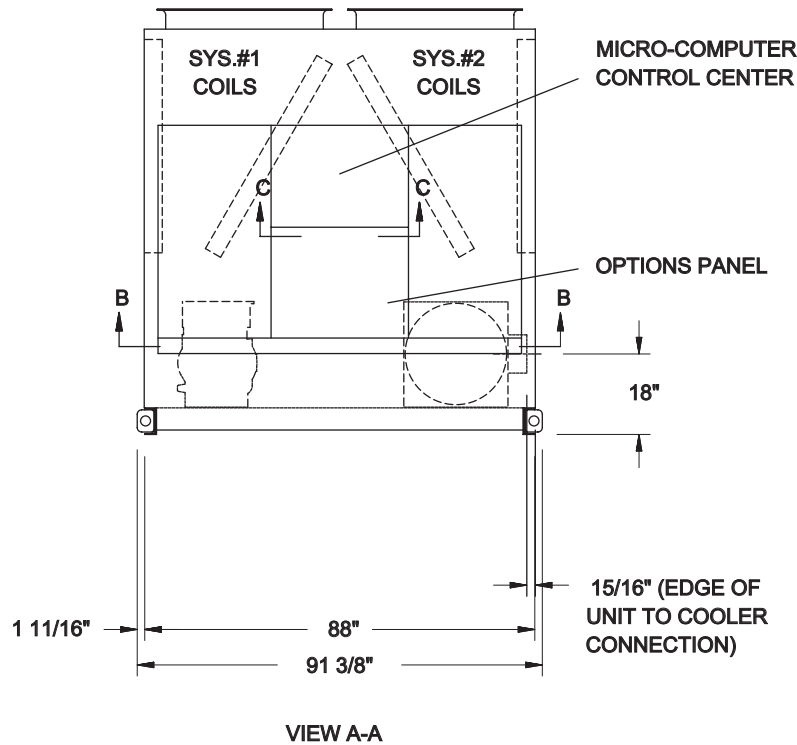


LD03747

DIMENSIONS – YCAS0200 - YCAS0230 (ENGLISH)



LD03748a



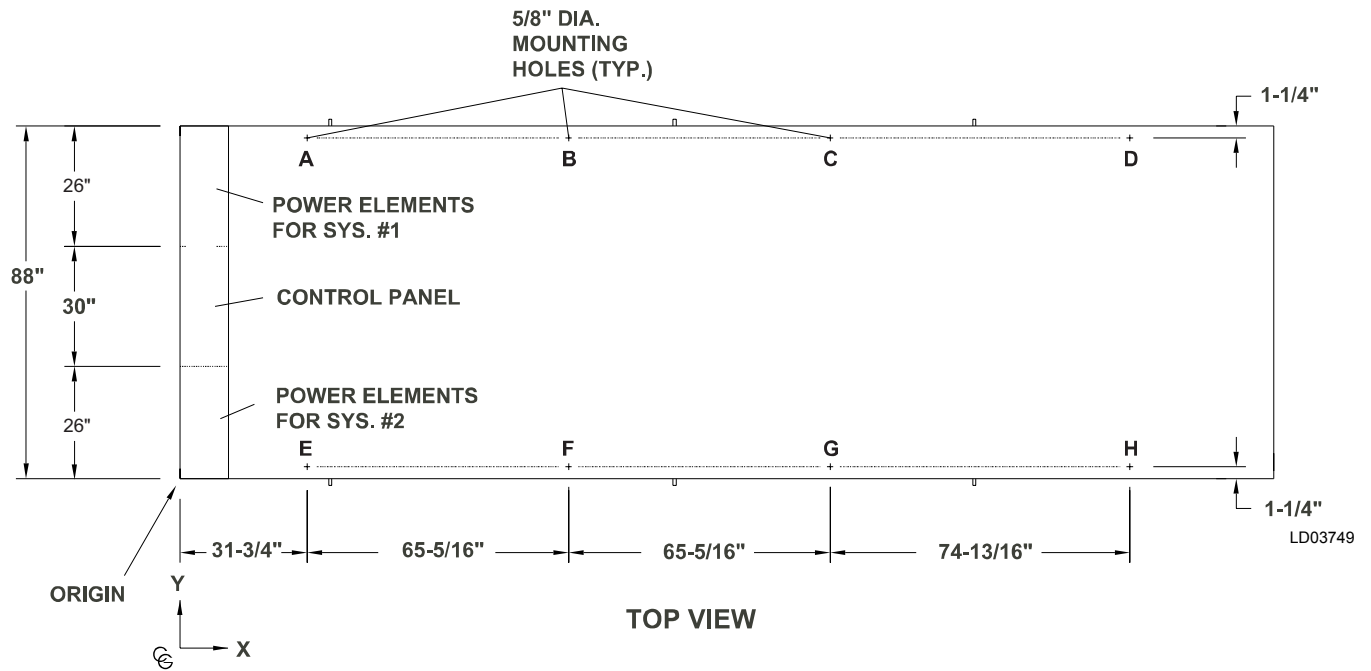
LD03748

NOTES:

1. Placement on a level surface free of obstructions (including snow, for winter operation) or air recirculation ensures rated performance, reliable operation and ease of maintenance. Site restrictions may compromise minimum clearances indicated below, resulting in unpredictable air flow patterns and possible diminished performance. YORK's unit controls will optimize operation without nuisance high pressure safety cutout; however, the system designer must consider potential performance degradation. Access to the unit control center assumes the unit is no higher than on spring isolators. Recommended minimum clearances: Side to wall - 6"; rear to wall - 6"; control panel end to wall - 4"; top - no obstructions allowed; distance between adjacent units - 10'. No more than one adjacent wall may be higher than the unit.

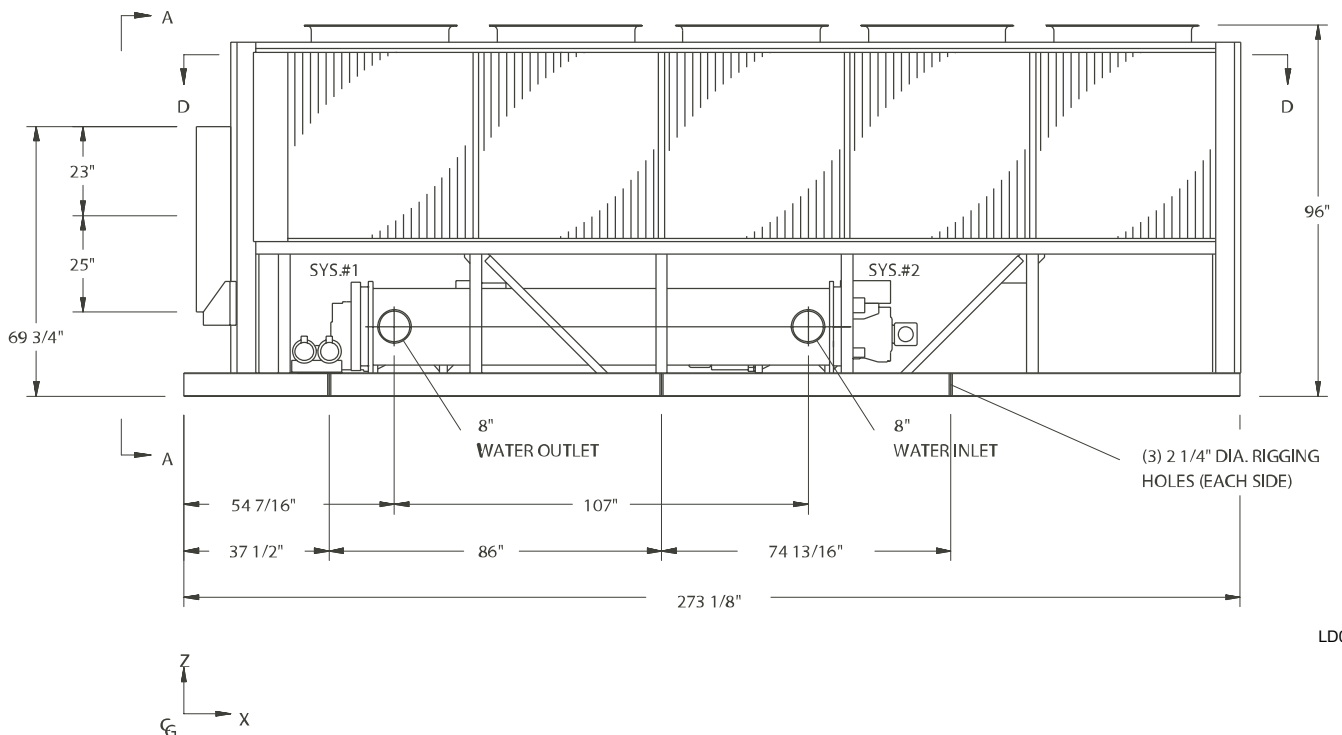
FIG. 25 – MODEL YCAS0200 - YCAS0230 DIMENSIONS (ENGLISH)

DIMENSIONS – YCAS0200 - YCAS0230 (ENGLISH)



CENTER OF GRAVITY (Alum.)			
YCAS	X	Y	Z
0200	119.4"	43.2"	38.0"
0210	119.4"	43.2"	38.0"
0230	119.4"	43.2"	38.0"

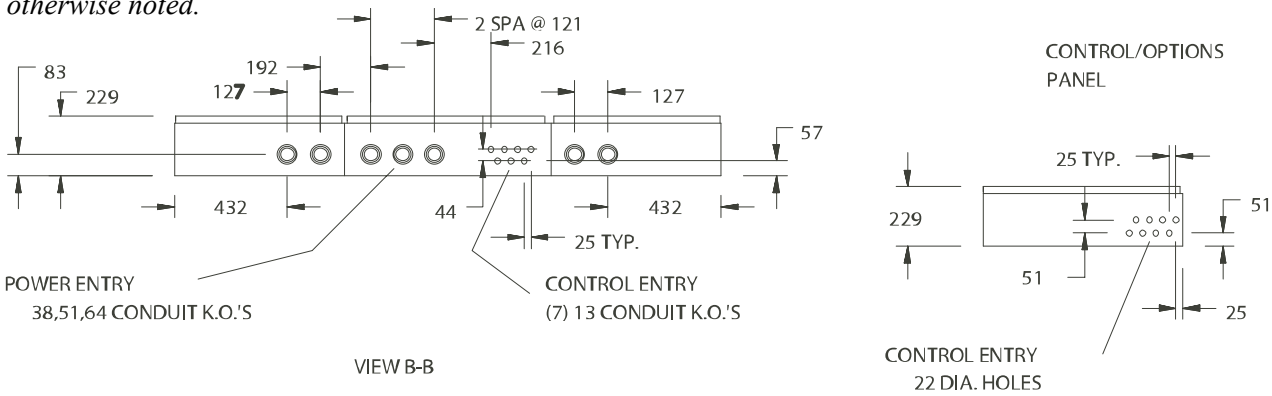
CENTER OF GRAVITY (Copper)			
YCAS	X	Y	Z
0200	122.3"	43.3"	41.0"
0210	122.3"	43.3"	41.0"
0230	122.3"	43.3"	41.0"



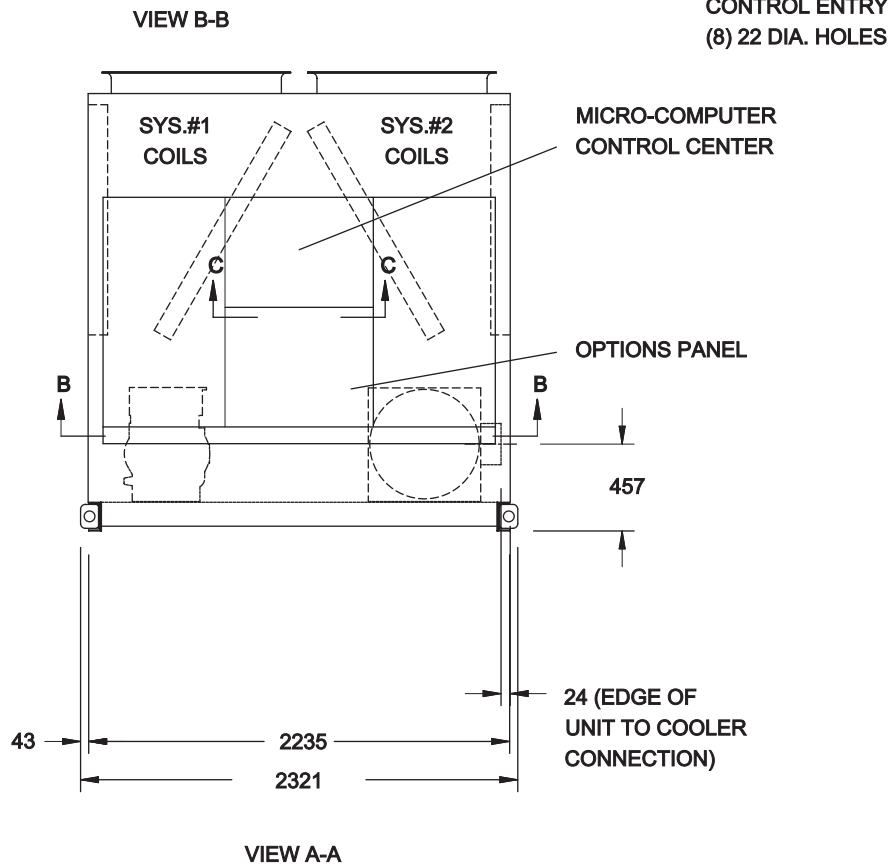
7

All dimensions are in mm unless otherwise noted.

DIMENSIONS – YCAS0200 - YCAS0230 (SI)



LD03751a



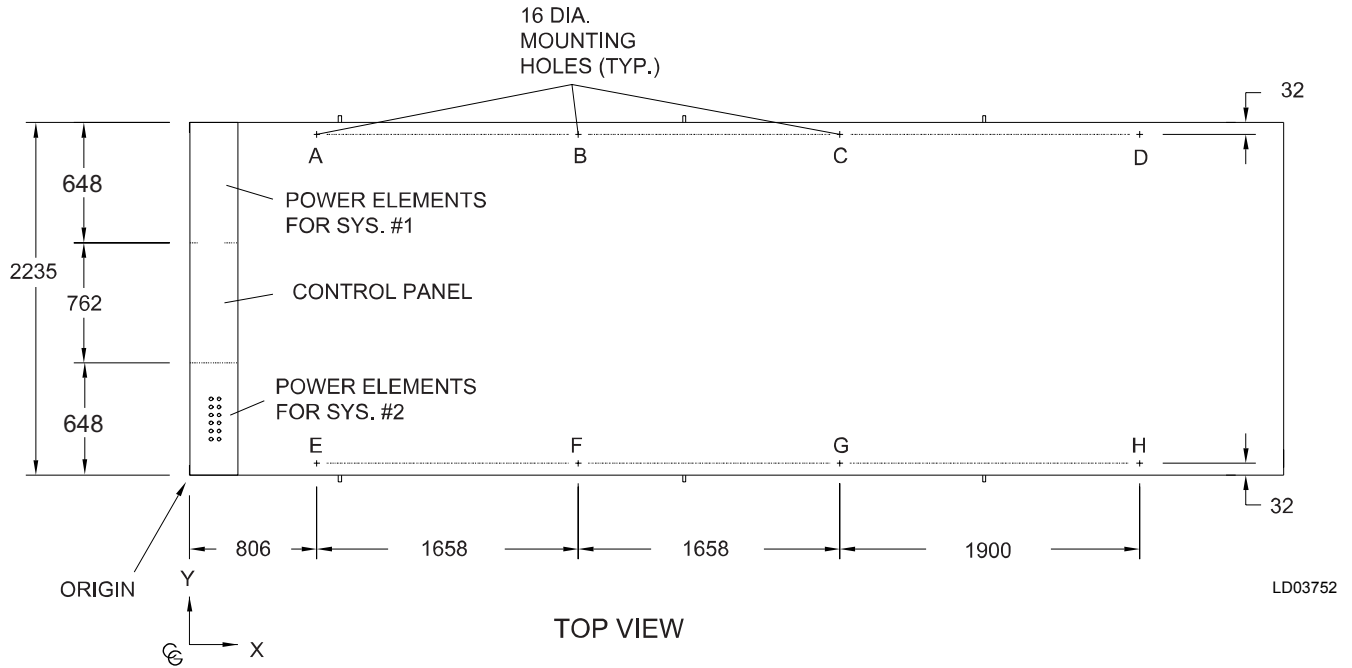
LD03751

NOTES:

1. Placement on a level surface free of obstructions (including snow, for winter operation) or air recirculation ensures rated performance, reliable operation and ease of maintenance. Site restrictions may compromise minimum clearances indicated below, resulting in unpredictable air flow patterns and possible diminished performance. YORK's unit controls will optimize operation without nuisance high pressure safety cutout; however, the system designer must consider potential performance degradation. Access to the unit control center assumes the unit is no higher than on spring isolators. Recommended minimum clearances: Side to wall - 2m; rear to wall - 2m; control panel end to wall - 1.2m; top - no obstructions allowed; distance between adjacent units - 3m. No more than one adjacent wall may be higher than the unit.

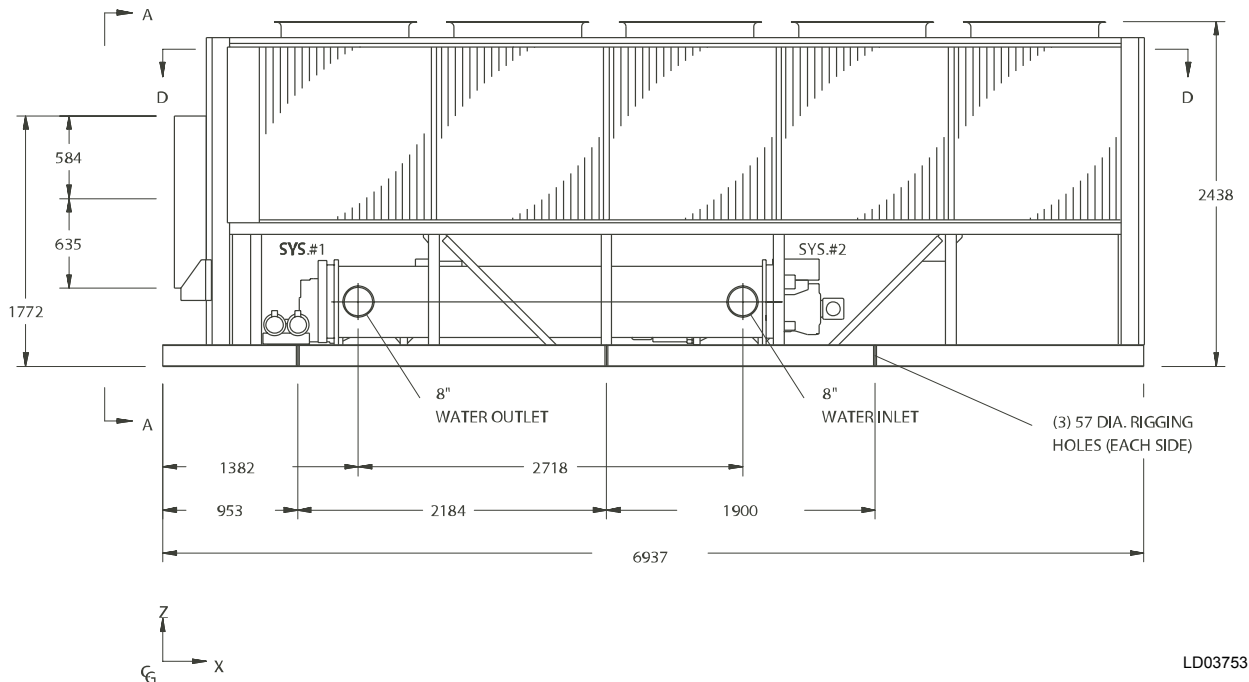
FIG. 26 – MODEL YCAS0200 - YCAS0230 DIMENSIONS (SI)

DIMENSIONS – YCAS0200 - YCAS0230 (SI)



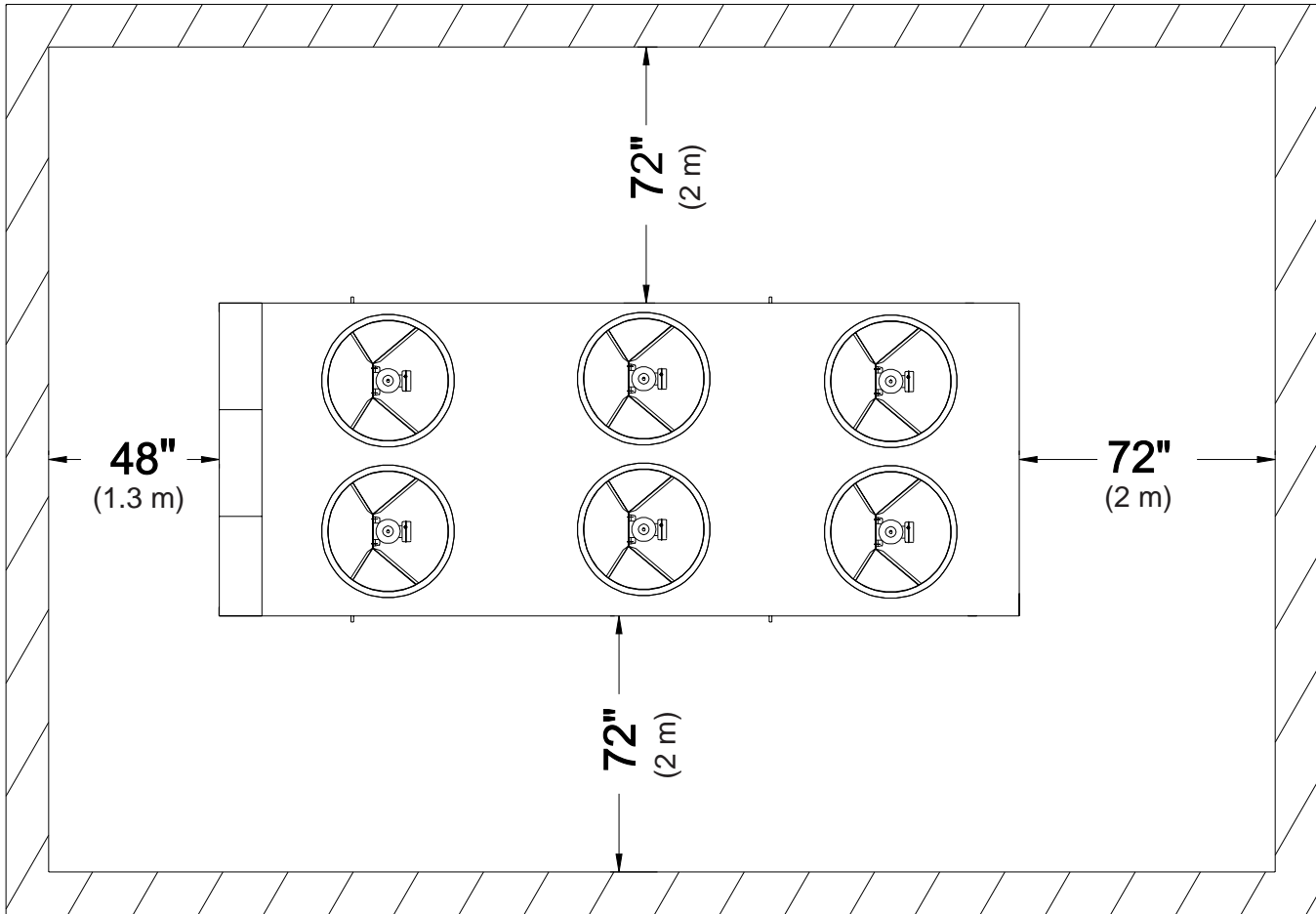
CENTER OF GRAVITY (Alum.)			
YCAS	X	Y	Z
0200	3032.8	1097.3	965.2
0210	3032.8	1097.3	965.2
0230	3032.8	1097.3	965.2

CENTER OF GRAVITY (Copper)			
YCAS	X	Y	Z
0200	3106.4	1099.8	1041.4
0210	3106.4	1099.8	1041.4
0230	3106.4	1099.8	1041.4



7

TECHNICAL DATA CLEARANCES



LD07011

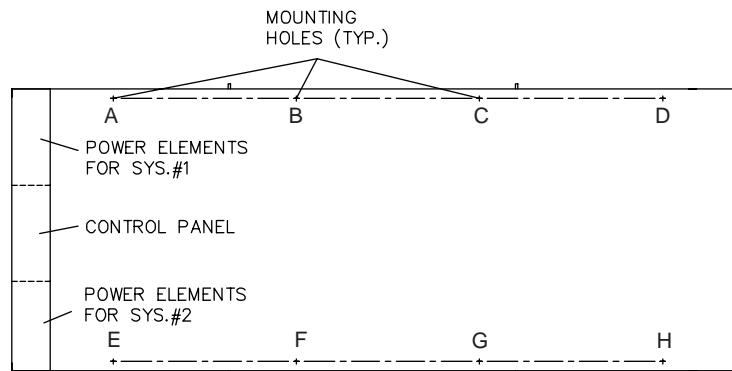
NOTES:

1. No obstructions allowed above the unit.
2. Only one adjacent wall may be higher than the unit.
3. Adjacent units should be 10 feet (3 meters) apart.

FIG. 27 – CLEARANCES

WEIGHT DISTRIBUTION AND ISOLATOR MOUNTING POSITIONS

Aluminium and Black Fin Condenser Coils



LD09472

ALUMINUM FIN COIL WEIGHT DISTRIBUTION BY MODEL (LBS)

YCAS	A	B	C	D	E	F	G	H	I	J	K	L	M	N	O	P	TOTAL
0130	1,956	1,633	1,309	986	1,908	1,593	1,277	962	—	—	—	—	—	—	—	—	11,625
0140	1,963	1,638	1,313	989	1,931	1,612	1,292	973	—	—	—	—	—	—	—	—	11,711
0150	1,868	1,648	1,428	1,208	1,958	1,727	1,497	1,266	—	—	—	—	—	—	—	—	12,599
0160	1,892	1,677	1,462	1,248	1,955	1,733	1,511	1,289	—	—	—	—	—	—	—	—	12,768
0170	1,903	1,689	1,475	1,261	1,982	1,759	1,536	1,313	—	—	—	—	—	—	—	—	12,919
0180	1,907	1,693	1,479	1,265	1,994	1,770	1,546	1,323	—	—	—	—	—	—	—	—	12,978
0200	2,188	1,881	1,573	1,265	2,247	1,931	1,615	1,299	—	—	—	—	—	—	—	—	13,998
0210	2,204	1,896	1,587	1,279	2,270	1,952	1,635	1,318	—	—	—	—	—	—	—	—	14,141
0230	2,206	1,897	1,587	1,278	2,280	1,961	1,641	1,321	—	—	—	—	—	—	—	—	14,171

ALUMINUM FIN COIL WEIGHT DISTRIBUTION BY MODEL (KGS)

YCAS	A	B	C	D	E	F	G	H	I	J	K	L	M	N	O	P	TOTAL
0130	887	741	594	447	865	723	579	436	—	—	—	—	—	—	—	—	5,273
0140	890	743	596	449	876	731	586	441	—	—	—	—	—	—	—	—	5,312
0150	847	748	648	548	888	783	679	574	—	—	—	—	—	—	—	—	5,714
0160	858	761	663	566	887	786	685	585	—	—	—	—	—	—	—	—	5,791
0170	863	766	669	572	899	798	697	596	—	—	—	—	—	—	—	—	5,860
0180	865	768	671	574	904	803	701	600	—	—	—	—	—	—	—	—	5,886
0200	992	853	714	574	1,019	876	733	589	—	—	—	—	—	—	—	—	6,349
0210	1,000	860	720	580	1,030	885	742	589	—	—	—	—	—	—	—	—	6,414
0230	1,001	861	720	580	1,034	890	744	599	—	—	—	—	—	—	—	—	6,428

WEIGHT DISTRIBUTION AND ISOLATOR MOUNTING POSITIONS

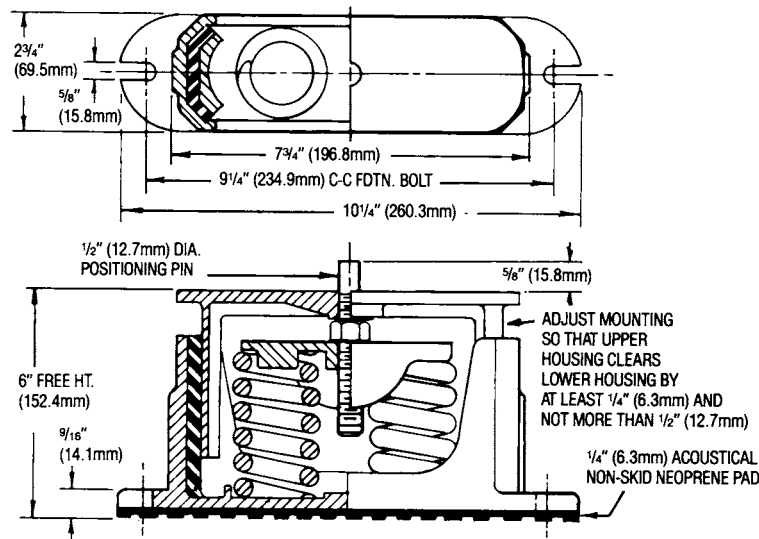
Aluminium and Black Fin Condenser Coils

ALUMINUM FINNS, 1" ISOLATOR SELECTIONS – VMC TYPE CP-2-XX (SEE TABLE BELOW)

YCAS	A	B	C	D	E	F	G	H	I	J	K	L	M	N	O	P
0130	31	28	27	26	31	27	28	26	—	—	—	—	—	—	—	—
0140	31	28	27	26	31	27	28	26	—	—	—	—	—	—	—	—
0150	31	28	27	27	31	27	28	27	—	—	—	—	—	—	—	—
0160	31	28	27	27	31	27	28	27	—	—	—	—	—	—	—	—
0170	31	28	27	27	31	27	28	27	—	—	—	—	—	—	—	—
0180	31	28	27	27	31	27	28	27	—	—	—	—	—	—	—	—
0200	31	28	28	28	31	28	31	28	—	—	—	—	—	—	—	—
0210	31	28	28	28	31	28	31	28	—	—	—	—	—	—	—	—
0230	31	28	28	28	31	28	31	28	—	—	—	—	—	—	—	—

ISOLATOR TYPE & SIZE	MAX LOAD		DEFL.		SPRING COLOR
	lbs.	kg	in.	mm	
CP-2-26	1,200	544.3	1.17	29.7	Purple
CP-2-27	1,500	680.4	1.06	26.9	Orange
CP-2-28	1,800	816.4	1.02	25.9	Green
CP-2-31	2,200	997.9	0.83	21.0	Gray
CP-2-32	2,600	1,179.3	0.74	18.7	White
CP-2-35	3,000	1,360.8	0.70	17.7	Gold

ISOLATOR DETAILS



LD01089

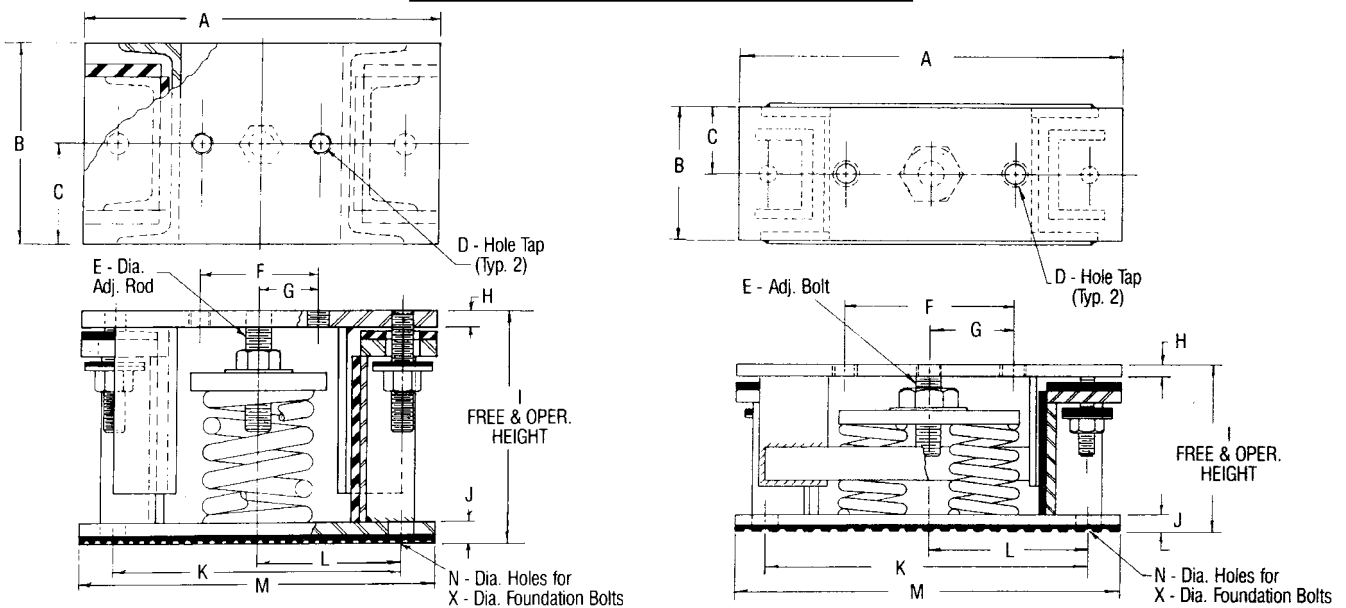
FIG. 28 – CP-2-XX

WEIGHT DISTRIBUTION AND ISOLATOR MOUNTING POSITIONS

Aluminium and Black Fin Condenser Coils

ALUMINUM FINNS, SEISMIC ISOLATOR SELECTIONS - VMC MODEL # AWMR-X-XXX																
YCAS	A	B	C	D	E	F	G	H	I	J	K	L	M	N	O	P
0130	-1-553	-1-551	-1-532	-1-530	-1-553	-1-551	-1-532	-1-530	—	—	—	—	—	—	—	—
0140	-1-553	-1-551	-1-532	-1-530	-1-553	-1-551	-1-532	-1-530	—	—	—	—	—	—	—	—
0150	-1-552	-1-552	-1-532	-1-531	-1-553	-1-552	-1-551	-1-532	—	—	—	—	—	—	—	—
0160	-1-552	-1-552	-1-532	-1-531	-1-553	-1-552	-1-551	-1-532	—	—	—	—	—	—	—	—
0170	-1-553	-1-552	-1-532	-1-531	-1-553	-1-552	-1-551	-1-532	—	—	—	—	—	—	—	—
0180	-1-553	-1-552	-1-532	-1-531	-1-553	-1-552	-1-551	-1-532	—	—	—	—	—	—	—	—
0200	-1-553	-1-552	-1-552	-1-551	-1-553	-1-552	-1-552	-1-551	—	—	—	—	—	—	—	—
0210	-1-553	-1-552	-1-552	-1-551	-1-553	-1-552	-1-552	-1-551	—	—	—	—	—	—	—	—
0230	-1-553	-1-552	-1-552	-1-551	-1-553	-1-552	-1-552	-1-551	—	—	—	—	—	—	—	—

ISOLATOR TYPE & SIZE	MAX LOAD		DEFL.	
	lbs.	kg	in.	mm
AWMR-1-53	1,000	453.6	2	51
AWMR-1-530	1,150	521.6	2	51
AWMR-1-531	1,276	578.8	2	51
AWMR-1-532	1,500	680.4	2	51
AWMR-1-551	1,676	760.2	2	51
AWMR-1-552	1,900	861.8	2	51
AWMR-1-553	2,200	997.9	2	51
AWMR-2-520	1,300	589.7	2	51
AWMR-2-521	1,552	704.0	2	51
AWMR-2-53	2,000	907.2	2	51
AWMR-1-530	2,300	1,043.3	2	51
AWMR-2-531	2,552	1,157.6	2	51
AWMR-2-532	3,000	1,360.8	2	51



AWMR-1-XXX

LD02973

AWMR-2-XXX

LD02974

DIMENSIONS - In.

	A	B	C	D	E	F	G	H	I	J	K	L	M	N/X
AWMR-1 50-553	10-1/2	6	3	5/8 11NC	3/4	3-1/2	1-3/4	1/2	9	5/8	8-1/2	4-1/4	10-1/2	3/4 5/8
AWMR-2 50-553	15	6	3	3/4 10NC	1	7-1/2	3-3/4	1/2	9-1/2	5/8	14-1/2	7-1/4	17	3/4 5/8

FIG. 29 – TYPE AWMR ISOLATOR DETAILS

WEIGHT DISTRIBUTION AND ISOLATOR MOUNTING POSITIONS

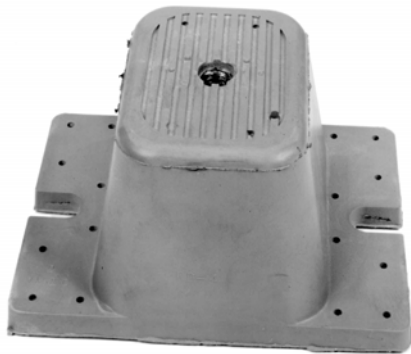
Aluminium and Black Fin Condenser Coils

ALUMINUM FINNS, NEOPRENE MOUNT SELECTIONS – VMC TYPE RD-4

YCAS	A	B	C	D	E	F	G	H	I	J	K	L	M	N	O	P
0130	RED	RED	BLACK	GRAY*	RED	RED	BLACK	GRAY*	—	—	—	—	—	—	—	—
0140	RED	RED	BLACK	GRAY*	RED	RED	BLACK	GRAY*	—	—	—	—	—	—	—	—
0150	RED	RED	BLACK	BLACK	RED	RED	RED	BLACK	—	—	—	—	—	—	—	—
0160	RED	RED	BLACK	BLACK	RED	RED	RED	BLACK	—	—	—	—	—	—	—	—
0170	RED	RED	BLACK	BLACK	RED	RED	RED	BLACK	—	—	—	—	—	—	—	—
0180	RED	RED	BLACK	BLACK	RED	RED	RED	BLACK	—	—	—	—	—	—	—	—
0200	RED	RED	RED	RED	RED	RED	RED	RED	—	—	—	—	—	—	—	—
0210	RED	RED	RED	RED	RED	RED	RED	RED	—	—	—	—	—	—	—	—
0230	RED	RED	RED	RED	RED	RED	RED	RED	—	—	—	—	—	—	—	—

* VMC TYPE RD-3

NEW DESIGN FOR TYPE RD-4 NEOPRENE MOUNTINGS.



**TYPE R OR RD
NO BOLTING IS
PREFERRED—**

Type R or RD mountings are may be used without bolting under machines having no lateral or severe vertical motion.

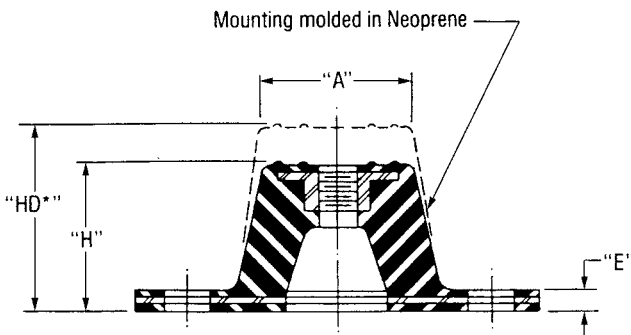
29518A

TYPE RD-3

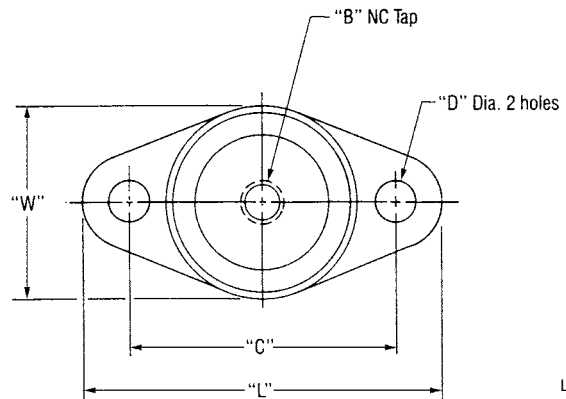


**TYPE R OR RD
IF BOLTING IS PREFERRED—**
Type R or RD mountings are furnished with a tapped hole in the center. This enables the equipment to be bolted securely to the mounting.

29517A



LD04033



LD04033

TYPE	COLOR CODE	MAX. LOAD		DEFLECTION ins. (mm)	
		lbs.	(kg)	R	RD
R-3 OR RD-3	BLACK	250	(113.5)	0.25 (6.3)	0.50 (12.7)
	RED	525	(238.3)		
	GREEN	750	(340.5)		
	GRAY	1,100	(499.4)		
R-4 OR RD-4	BLACK	1,500	(681.0)	0.25 (6.3)	0.50 (12.7)
	RED	2,250	(1,021.5)		
	GREEN	3,000	(1,362.0)		
	GRAY	4,000	(1,816.0)		

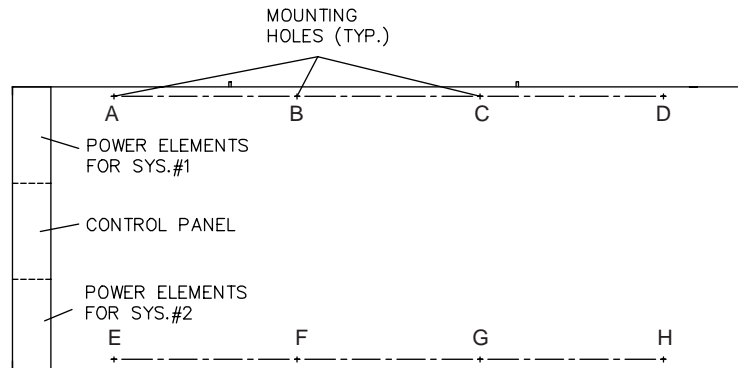
DIMENSIONS: ins. (mm)

TYPE	L	W	H	*HD	A	B	C	D	E
R-3 OR RD-3	5-1/2" (139.7)	3-3/8" (85.8)	1-3/4" (44.4)	2-7/8" (73.2)	2-1/2" (63.5)	1/2" (12.7)	4-1/8" (104.8)	9/16" (14.4)	1/4" (6.3)
R-4 OR RD-4	6-1/4" (158.7)	4-5/8" (117.6)	1-5/8" (41.4)	2-3/4" (69.8)	3" (76.2)	1/2" (12.7)	5" (127.0)	9/16" (14.4)	3/8" (9.6)

* HD dimension applies to double deflection Type RD mountings only.

WEIGHT DISTRIBUTION AND ISOLATOR MOUNTING POSITIONS

Copper Fin Condenser Coils



LD09472

COPPER FIN CONDENSER COILS WEIGHT DISTRIBUTION BY MODEL (LBS)

YCAS	A	B	C	D	E	F	G	H	I	J	K	L	M	N	O	P	Total
0130	2,066	1,774	1,483	1,192	2,020	1,735	1,450	1,165	---	---	---	---	---	---	---	---	12,885
0140	2,072	1,779	1,487	1,194	2,043	1,754	1,465	1,177	---	---	---	---	---	---	---	---	12,971
0150	1,980	1,790	1,600	1,410	2,067	1,869	1,671	1,472	---	---	---	---	---	---	---	---	13,859
0160	2,003	1,819	1,635	1,451	2,064	1,875	1,685	1,495	---	---	---	---	---	---	---	---	14,028
0170	2,015	1,831	1,648	1,464	2,091	1,900	1,710	1,519	---	---	---	---	---	---	---	---	14,179
0180	2,019	1,836	1,652	1,468	2,103	1,911	1,720	1,529	---	---	---	---	---	---	---	---	14,238
0200	2,319	2,051	1,784	1,516	2,374	2,100	1,826	1,552	---	---	---	---	---	---	---	---	15,522
0210	2,334	2,066	1,798	1,530	2,397	2,122	1,847	1,571	---	---	---	---	---	---	---	---	15,665
0230	2,336	2,067	1,798	1,528	2,408	2,130	1,852	1,575	---	---	---	---	---	---	---	---	15,695

COPPER FIN CONDENSER COILS WEIGHT DISTRIBUTION BY MODEL (KGS)

YCAS	A	B	C	D	E	F	G	H	I	J	K	L	M	N	O	P	Total
0130	937	805	673	541	916	787	658	528	---	---	---	---	---	---	---	---	5,845
0140	940	807	674	542	927	796	665	534	---	---	---	---	---	---	---	---	5,884
0150	898	812	726	640	938	848	758	668	---	---	---	---	---	---	---	---	6,286
0160	909	825	742	658	936	850	764	678	---	---	---	---	---	---	---	---	6,363
0170	914	831	748	664	948	862	776	689	---	---	---	---	---	---	---	---	6,431
0180	916	833	749	667	954	867	780	694	---	---	---	---	---	---	---	---	6,458
0200	1,052	930	809	688	1,077	953	828	704	---	---	---	---	---	---	---	---	7,041
0210	1,059	937	816	694	1,087	963	838	713	---	---	---	---	---	---	---	---	7,106
0230	1,060	938	815	693	1,092	966	840	714	---	---	---	---	---	---	---	---	7,119

7

WEIGHT DISTRIBUTION AND ISOLATOR MOUNTING POSITIONS

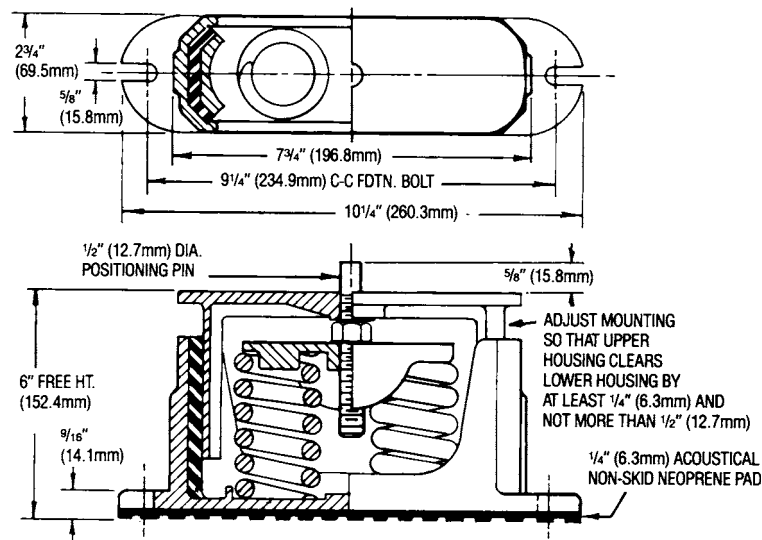
Copper Fin Condenser Coils

60 HERTZ, COPPER FINNS, 1" ISOLATOR SELECTIONS - VMC TYPE CP- (SEE TABLE BELOW)

YCAS	A	B	C	D	E	F	G	H	I	J	K	L	M	N	O	P
0130	2-31	2-28	2-28	2-27	2-31	2-28	2-28	2-27	---	---	---	---	---	---	---	---
0140	2-31	2-28	2-28	2-27	2-31	2-28	2-28	2-27	---	---	---	---	---	---	---	---
0150	2-31	2-31	2-28	2-28	2-31	2-31	2-31	2-31	---	---	---	---	---	---	---	---
0160	2-31	2-31	2-28	2-28	2-31	2-31	2-31	2-31	---	---	---	---	---	---	---	---
0170	2-31	2-31	2-28	2-28	2-31	2-31	2-31	2-31	---	---	---	---	---	---	---	---
0180	2-31	2-31	2-28	2-28	2-31	2-31	2-31	2-31	---	---	---	---	---	---	---	---
0200	2-32	2-31	2-31	2-28	2-32	2-31	2-31	2-28	---	---	---	---	---	---	---	---
0210	2-32	2-31	2-31	2-28	2-32	2-31	2-31	2-28	---	---	---	---	---	---	---	---
0230	2-32	2-31	2-31	2-28	2-32	2-31	2-31	2-28	---	---	---	---	---	---	---	---

ISOLATOR TYPE & SIZE	MAX LOAD		DEFL.		SPRING COLOR
	lbs.	kg	in.	mm	
CP-2-26	1,200	544.3	1.17	29.7	Purple
CP-2-27	1,500	680.4	1.06	26.9	Orange
CP-2-28	1,800	816.4	1.02	25.9	Green
CP-2-31	2,200	997.9	0.83	21.0	Gray
CP-2-32	2,600	1179.3	0.74	18.7	White
CP-2-35	3,000	1360.8	0.70	17.7	Gold

ISOLATOR DETAILS



LD01089

FIG. 30 – CP-2-XX

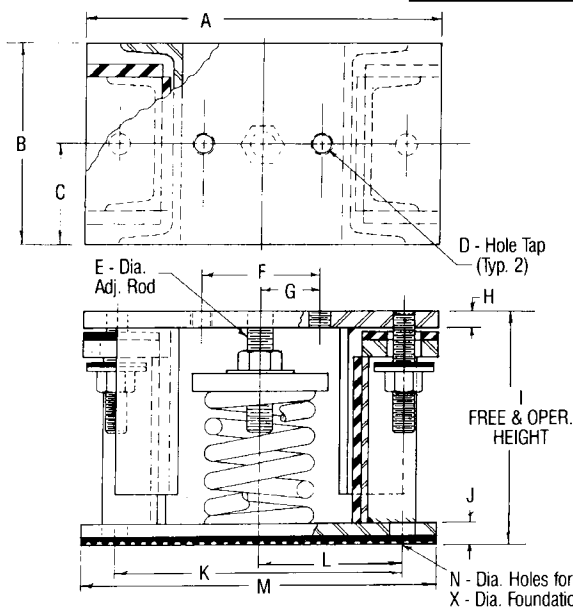
WEIGHT DISTRIBUTION AND ISOLATOR MOUNTING POSITIONS

Copper Fin Condenser Coils

60 HERTZ, CU. FINS, SEISMIC ISOLATOR SELECTIONS - VMC MODEL # AWMR-(SEE TABLE BELOW)

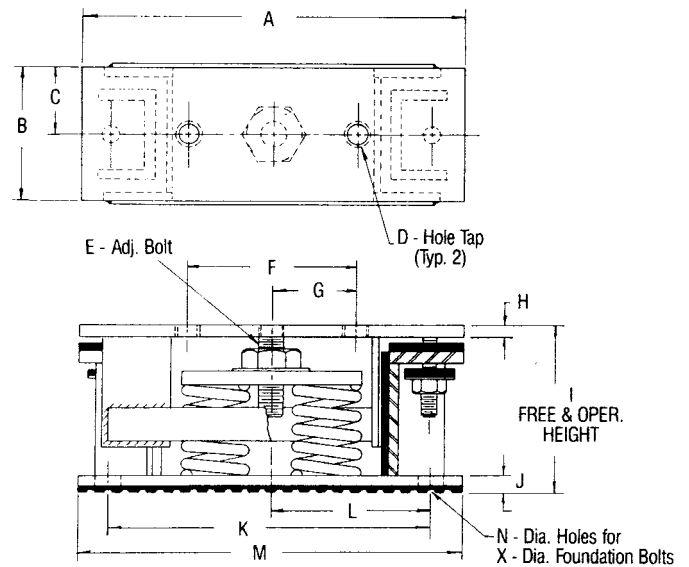
YCAS	A	B	C	D	E	F	G	H	I	J	K	L	M	N	O	P
0130	1-553	1-552	1-532	1-532	1-553	1-552	1-551	1-532	---	---	---	---	---	---	---	---
0140	1-553	1-552	1-532	1-532	1-553	1-552	1-551	1-532	---	---	---	---	---	---	---	---
0150	1-553	1-552	1-552	1-552	1-553	1-552	1-552	1-552	---	---	---	---	---	---	---	---
0160	1-553	1-552	1-552	1-552	1-553	1-552	1-552	1-552	---	---	---	---	---	---	---	---
0170	1-553	1-552	1-552	1-552	1-553	1-553	1-552	1-552	---	---	---	---	---	---	---	---
0180	1-553	1-552	1-552	1-552	1-553	1-553	1-552	1-552	---	---	---	---	---	---	---	---
0200	2-531	1-553	1-552	1-551	2-531	2-530	1-553	1-551	---	---	---	---	---	---	---	---
0210	2-531	1-553	1-552	1-551	2-531	2-530	1-553	1-551	---	---	---	---	---	---	---	---
0230	2-531	1-553	1-552	1-551	2-531	2-530	1-553	1-551	---	---	---	---	---	---	---	---

ISOLATOR TYPE & SIZE	MAX LOAD		DEFL.	
	lbs.	kg	in.	mm
AWMR-1-53	1,000	453.6	2	51
AWMR-1-530	1,150	521.6	2	51
AWMR-1-531	1,276	578.8	2	51
AWMR-1-532	1,500	680.4	2	51
AWMR-1-551	1,676	760.2	2	51
AWMR-1-552	1,900	861.8	2	51
AWMR-1-553	2,200	997.9	2	51
AWMR-2-520	1,300	589.7	2	51
AWMR-2-521	1,552	704.0	2	51
AWMR-2-53	2,000	907.2	2	51
AWMR-1-530	2,300	1,043.3	2	51
AWMR-2-531	2,552	1,157.6	2	51
AWMR-2-532	3,000	1,360.8	2	51



LD02973

AWMR-1-XXX



LD02974

AWMR-2-XXX

DIMENSIONS - In.

	A	B	C	D	E	F	G	H	I	J	K	L	M	N/X
AWMR-1 50-553	10-1/2	6	3	5/8 11NC	3/4	3-1/2	1-3/4	1/2	9	5/8	8-1/2	4-1/4	10-1/2	3/4 5/8
AWMR-2 50-553	15	6	3	3/4 10NC	1	7-1/2	3-3/4	1/2	9-1/2	5/8	14-1/2	7-1/4	17	3/4 5/8

FIG. 31 – TYPE AWMR ISOLATOR DETAILS

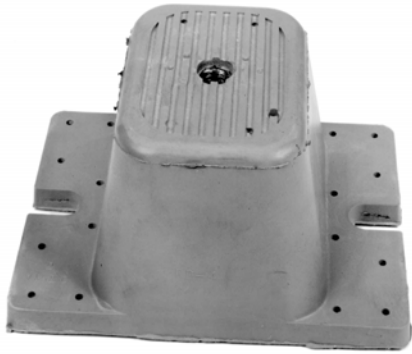
WEIGHT DISTRIBUTION AND ISOLATOR MOUNTING POSITIONS

Copper Fin Condenser Coils

60 HERTZ, CU. FINs, NEOPRENE MOUNT SELECTION- VMC TYPE RD (SEE TABLE BELOW)

YCAS	A	B	C	D	E	F	G	H	I	J	K	L	M	N	O	P
0130	-4 Red	-4 Red	-4 Blk	-4 Blk	-4 Red	-4 Red	-4 Red	-4 Blk	---	---	---	---	---	---	---	---
0140	-4 Red	-4 Red	-4 Blk	-4 Blk	-4 Red	-4 Red	-4 Red	-4 Blk	---	---	---	---	---	---	---	---
0150	-4 Red	-4 Red	-4 Red	-4 Red	-4 Red	-4 Red	-4 Red	-4 Red	---	---	---	---	---	---	---	---
0160	-4 Red	-4 Red	-4 Red	-4 Red	-4 Red	-4 Red	-4 Red	-4 Red	---	---	---	---	---	---	---	---
0170	-4 Red	-4 Red	-4 Red	-4 Red	-4 Red	-4 Red	-4 Red	-4 Red	---	---	---	---	---	---	---	---
0180	-4 Red	-4 Red	-4 Red	-4 Red	-4 Red	-4 Red	-4 Red	-4 Red	---	---	---	---	---	---	---	---
0200	-4 Grn	-4 Red	-4 Red	-4 Red	-4 Grn	-4 Red	-4 Red	-4 Red	---	---	---	---	---	---	---	---
0210	-4 Grn	-4 Red	-4 Red	-4 Red	-4 Grn	-4 Red	-4 Red	-4 Red	---	---	---	---	---	---	---	---
0230	-4 Grn	-4 Red	-4 Red	-4 Red	-4 Grn	-4 Red	-4 Red	-4 Red	---	---	---	---	---	---	---	---

NEW DESIGN FOR TYPE RD-4 NEOPRENE MOUNTINGS.



TYPE R OR RD
NO BOLTING IS PREFERRED—
 Type R or RD mountings are may be used without bolting under machines having no lateral or severe vertical motion.

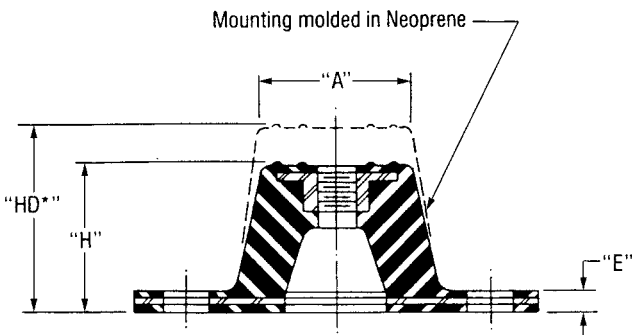
29518A

TYPE RD-3

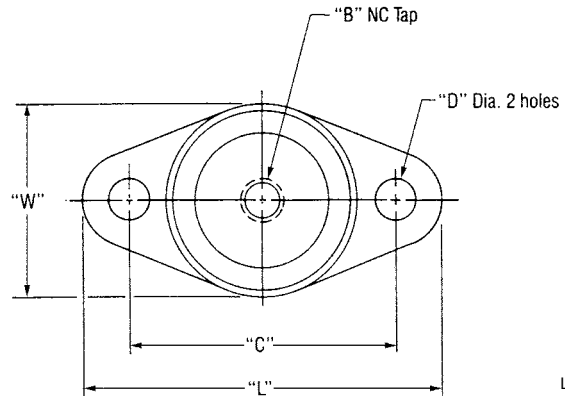


TYPE R OR RD
IF BOLTING IS PREFERRED—
 Type R or RD mountings are furnished with a tapped hole in the center. This enables the equipment to be bolted securely to the mounting.

29517A



LD04033



LD04033

TYPE	COLOR CODE	MAX. LOAD		DEFLECTION ins. (mm)	
		lbs.	(kg)	R	RD
R-3 OR RD-3	BLACK	250	(113.5)	0.25 (6.3)	0.50 (12.7)
	RED	525	(238.3)		
	GREEN	750	(340.5)		
	GRAY	1,100	(499.4)		
R-4 OR RD-4	BLACK	1,500	(681.0)	0.25 (6.3)	0.50 (12.7)
	RED	2,250	(1021.5)		
	GREEN	3,000	(1362.0)		
	GRAY	4,000	(1816.0)		

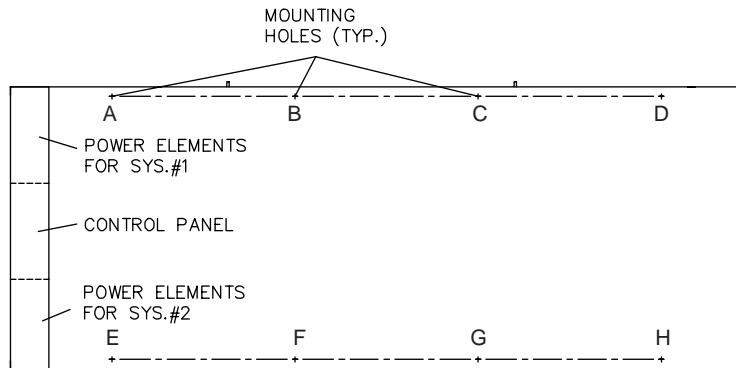
DIMENSIONS: ins. (mm)

TYPE	L	W	H	*HD	A	B	C	D	E
R-3 OR RD-3	5-1/2" (139.7)	3-3/8" (85.8)	1-3/4" (44.4)	2-7/8" (73.2)	2-1/2" (63.5)	1/2" (12.7)	4-1/8" (104.8)	9/16" (14.4)	1/4" (6.3)
R-4 OR RD-4	6-1/4" (158.7)	4-5/8" (117.6)	1-5/8" (41.4)	2-3/4" (69.8)	3" (76.2)	1/2" (12.7)	5" (127.0)	9/16" (14.4)	3/8" (9.6)

* HD dimension applies to double deflection Type RD mountings only.

WEIGHT DISTRIBUTION AND ISOLATOR MOUNTING POSITIONS

Aluminium Fin Condenser Coils with Silencer Kit



LD09472

ALUMINUM FIN COIL WEIGHT DISTRIBUTION BY MODEL (LBS)

YCAS	A	B	C	D	E	F	G	H	I	J	K	L	M	N	O	P	Total
0130	2,066	1,774	1,483	1,192	2,020	1,735	1,450	1,165	---	---	---	---	---	---	---	---	12,885
0140	2,072	1,779	1,487	1,194	2,043	1,754	1,465	1,177	---	---	---	---	---	---	---	---	12,971
0150	1,980	1,790	1,600	1,410	2,067	1,869	1,671	1,472	---	---	---	---	---	---	---	---	13,859
0160	2,003	1,819	1,635	1,451	2,064	1,875	1,685	1,495	---	---	---	---	---	---	---	---	14,028
0170	2,015	1,831	1,648	1,464	2,091	1,900	1,710	1,519	---	---	---	---	---	---	---	---	14,179
0180	2,019	1,836	1,652	1,468	2,103	1,911	1,720	1,529	---	---	---	---	---	---	---	---	14,238
0200	2,319	2,051	1,784	1,516	2,374	2,100	1,826	1,552	---	---	---	---	---	---	---	---	15,522
0210	2,334	2,066	1,798	1,530	2,397	2,122	1,847	1,571	---	---	---	---	---	---	---	---	15,665
0230	2,336	2,067	1,798	1,528	2,408	2,130	1,852	1,575	---	---	---	---	---	---	---	---	15,695

ALUMINUM FIN COIL WEIGHT DISTRIBUTION BY MODEL (KGS)

YCAS	A	B	C	D	E	F	G	H	I	J	K	L	M	N	O	P	Total
0130	937	805	673	541	916	787	658	528	---	---	---	---	---	---	---	---	5,845
0140	940	807	674	542	927	796	665	534	---	---	---	---	---	---	---	---	5,884
0150	898	812	726	640	938	848	758	668	---	---	---	---	---	---	---	---	6,286
0160	909	825	742	658	936	850	764	678	---	---	---	---	---	---	---	---	6,363
0170	914	831	748	664	948	862	776	689	---	---	---	---	---	---	---	---	6,431
0180	916	833	749	667	954	867	780	694	---	---	---	---	---	---	---	---	6,458
0200	1,052	930	809	688	1,077	953	828	704	---	---	---	---	---	---	---	---	7,041
0210	1,059	937	816	694	1,087	963	838	713	---	---	---	---	---	---	---	---	7,106
0230	1,060	938	815	693	1,092	966	840	714	---	---	---	---	---	---	---	---	7,119

7

WEIGHT DISTRIBUTION AND ISOLATOR MOUNTING POSITIONS

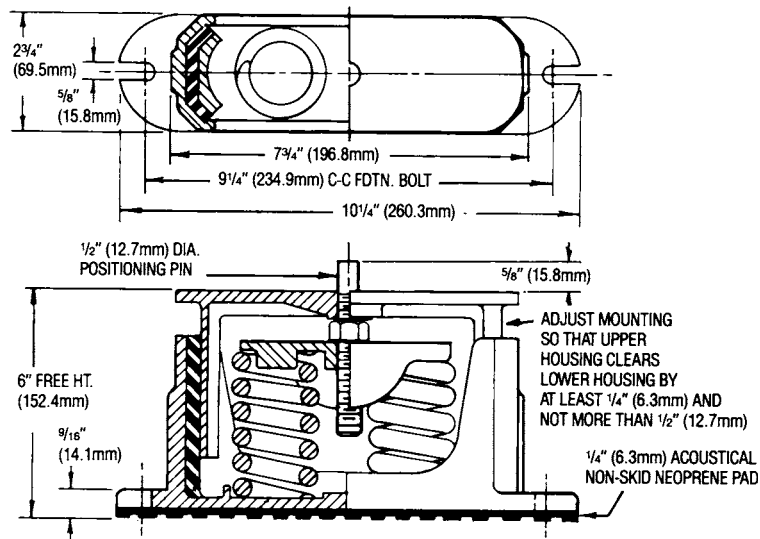
Aluminium Fin Condenser Coils with Silencer Kit

60 HERTZ, ALUMINUM FINNS, 1" ISOLATOR SELECTIONS - VMC TYPE CP- (SEE TABLE BELOW)

YCAS	A	B	C	D	E	F	G	H	I	J	K	L	M	N	O	P
0130	2-31	2-28	2-28	2-27	2-31	2-28	2-28	2-27	---	---	---	---	---	---	---	---
0140	2-31	2-28	2-28	2-27	2-31	2-28	2-28	2-27	---	---	---	---	---	---	---	---
0150	2-31	2-31	2-28	2-28	2-31	2-31	2-31	2-31	---	---	---	---	---	---	---	---
0160	2-31	2-31	2-28	2-28	2-31	2-31	2-31	2-31	---	---	---	---	---	---	---	---
0170	2-31	2-31	2-28	2-28	2-31	2-31	2-31	2-31	---	---	---	---	---	---	---	---
0180	2-31	2-31	2-28	2-28	2-31	2-31	2-31	2-31	---	---	---	---	---	---	---	---
0200	2-32	2-31	2-31	2-28	2-32	2-31	2-31	2-28	---	---	---	---	---	---	---	---
0210	2-32	2-31	2-31	2-28	2-32	2-31	2-31	2-28	---	---	---	---	---	---	---	---
0230	2-32	2-31	2-31	2-28	2-32	2-31	2-31	2-28	---	---	---	---	---	---	---	---

ISOLATOR TYPE & SIZE	MAX LOAD		DEFL.		SPRING COLOR
	lbs.	kg	in.	mm	
CP-2-26	1,200	544.3	1.17	29.7	Purple
CP-2-27	1,500	680.4	1.06	26.9	Orange
CP-2-28	1,800	816.4	1.02	25.9	Green
CP-2-31	2,200	997.9	0.83	21.0	Gray
CP-2-32	2,600	1179.3	0.74	18.7	White
CP-2-35	3,000	1360.8	0.70	17.7	Gold

ISOLATOR DETAILS



LD01089

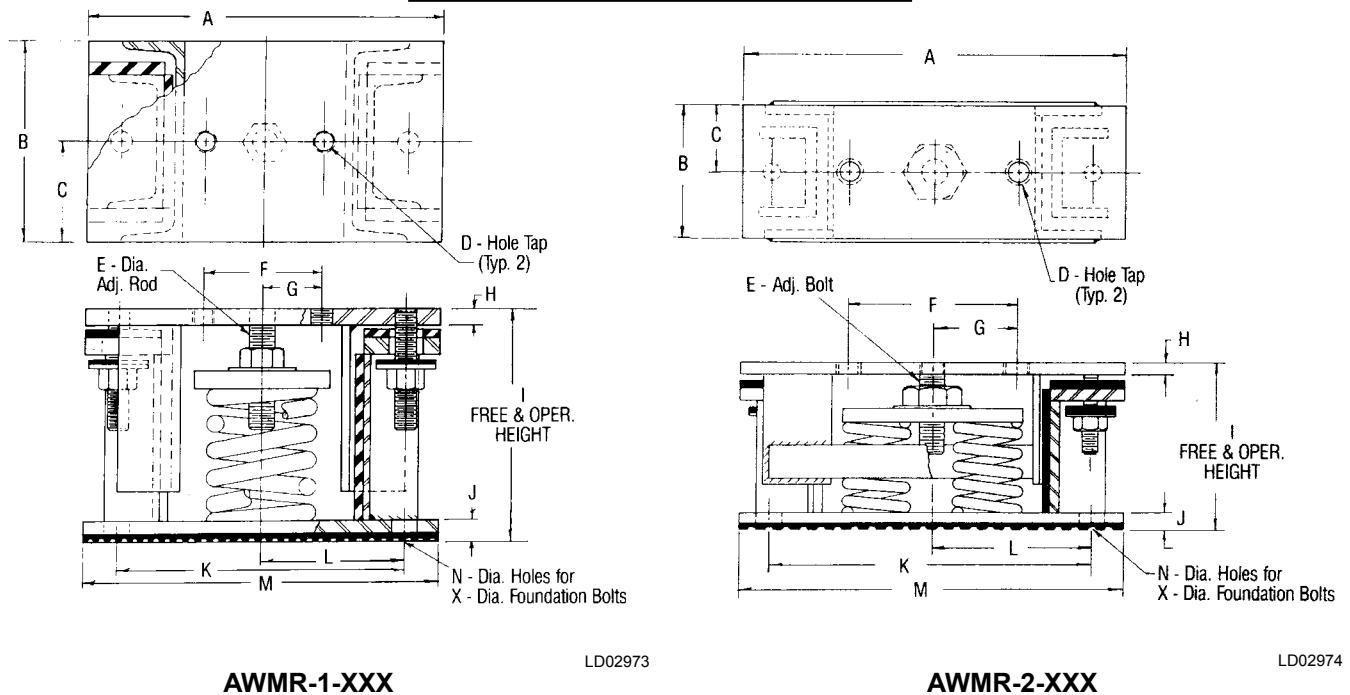
FIG. 32 – CP-2-XX

WEIGHT DISTRIBUTION AND ISOLATOR MOUNTING POSITIONS

Aluminium Fin Condenser Coils with Silencer Kit

60 HERTZ, ALUMINUM FINNS, SEISMIC ISOLATOR SELECTIONS - VMC MODEL # AWMR-(SEE TABLE BELOW)																
YCAS	A	B	C	D	E	F	G	H	I	J	K	L	M	N	O	P
0130	1-553	1-552	1-532	1-532	1-553	1-552	1-551	1-532	---	---	---	---	---	---	---	---
0140	1-553	1-552	1-532	1-532	1-553	1-552	1-551	1-532	---	---	---	---	---	---	---	---
0150	1-553	1-552	1-552	1-552	1-553	1-552	1-552	1-552	---	---	---	---	---	---	---	---
0160	1-553	1-552	1-552	1-552	1-553	1-552	1-552	1-552	---	---	---	---	---	---	---	---
0170	1-553	1-552	1-552	1-552	1-553	1-553	1-552	1-552	---	---	---	---	---	---	---	---
0180	1-553	1-552	1-552	1-552	1-553	1-553	1-552	1-552	---	---	---	---	---	---	---	---
0200	2-531	1-553	1-552	1-551	2-531	2-530	1-553	1-551	---	---	---	---	---	---	---	---
0210	2-531	1-553	1-552	1-551	2-531	2-530	1-553	1-551	---	---	---	---	---	---	---	---
0230	2-531	1-553	1-552	1-551	2-531	2-530	1-553	1-551	---	---	---	---	---	---	---	---

ISOLATOR TYPE & SIZE	MAX LOAD		DEFL.	
	lbs.	kg	in.	mm
AWMR-1-53	1,000	453.6	2	51
AWMR-1-530	1,150	521.6	2	51
AWMR-1-531	1,276	578.8	2	51
AWMR-1-532	1,500	680.4	2	51
AWMR-1-551	1,676	760.2	2	51
AWMR-1-552	1,900	861.8	2	51
AWMR-1-553	2,200	997.9	2	51
AWMR-2-520	1,300	589.7	2	51
AWMR-2-521	1,552	704.0	2	51
AWMR-2-53	2,000	907.2	2	51
AWMR-1-530	2,300	1043.3	2	51
AWMR-2-531	2,552	1157.6	2	51
AWMR-2-532	3,000	1360.8	2	51



DIMENSIONS - In.

	A	B	C	D	E	F	G	H	I	J	K	L	M	N/X
AWMR-1 50-553	10-1/2	6	3	5/8 11NC	3/4	3-1/2	1-3/4	1/2	9	5/8	8-1/2	4-1/4	10-1/2	3/4 5/8
AWMR-2 50-553	15	6	3	3/4 10NC	1	7-1/2	3-3/4	1/2	9-1/2	5/8	14-1/2	7-1/4	17	3/4 5/8

FIG. 33 – TYPE AWMR ISOLATOR DETAILS

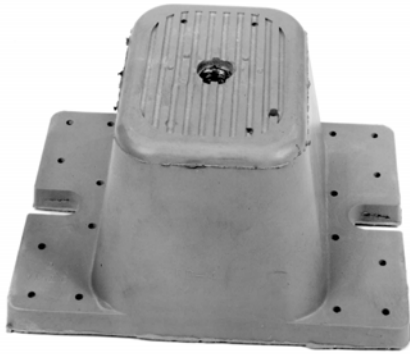
WEIGHT DISTRIBUTION AND ISOLATOR MOUNTING POSITIONS

Aluminum Fin Condenser Coils

60 HERTZ, ALUMINUM FINS, NEOPRENE MOUNT SELECTION- VMC TYPE RD (SEE TABLE BELOW)

YCAS	A	B	C	D	E	F	G	H	I	J	K	L	M	N	O	P
0130	-4 Red	-4 Red	-4 Blk	-4 Blk	-4 Red	-4 Red	-4 Red	-4 Blk	---	---	---	---	---	---	---	---
0140	-4 Red	-4 Red	-4 Blk	-4 Blk	-4 Red	-4 Red	-4 Red	-4 Blk	---	---	---	---	---	---	---	---
0150	-4 Red	-4 Red	-4 Red	-4 Red	-4 Red	-4 Red	-4 Red	-4 Red	---	---	---	---	---	---	---	---
0160	-4 Red	-4 Red	-4 Red	-4 Red	-4 Red	-4 Red	-4 Red	-4 Red	---	---	---	---	---	---	---	---
0170	-4 Red	-4 Red	-4 Red	-4 Red	-4 Red	-4 Red	-4 Red	-4 Red	---	---	---	---	---	---	---	---
0180	-4 Red	-4 Red	-4 Red	-4 Red	-4 Red	-4 Red	-4 Red	-4 Red	---	---	---	---	---	---	---	---
0200	-4 Grn	-4 Red	-4 Red	-4 Red	-4 Grn	-4 Red	-4 Red	-4 Red	---	---	---	---	---	---	---	---
0210	-4 Grn	-4 Red	-4 Red	-4 Red	-4 Grn	-4 Red	-4 Red	-4 Red	---	---	---	---	---	---	---	---
0230	-4 Grn	-4 Red	-4 Red	-4 Red	-4 Grn	-4 Red	-4 Red	-4 Red	---	---	---	---	---	---	---	---

NEW DESIGN FOR TYPE RD-4 NEOPRENE MOUNTINGS.

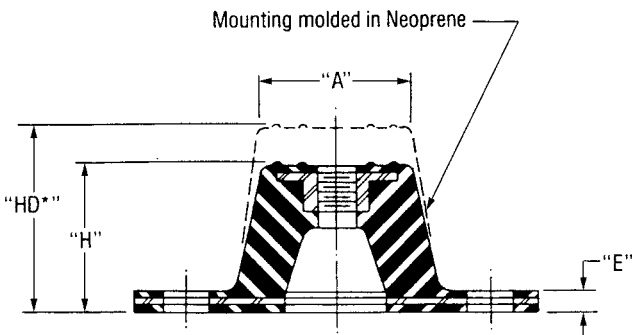


**TYPE R OR RD
NO BOLTING IS PREFERRED—**
Type R or RD mountings are may be used without bolting under machines having no lateral or severe vertical motion.

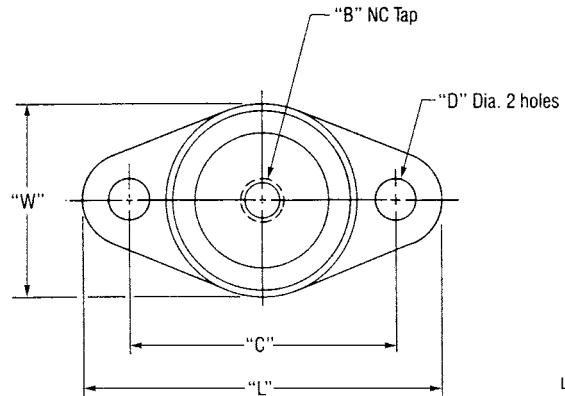
TYPE RD-3



**TYPE R OR RD
IF BOLTING IS PREFERRED—**
Type R or RD mountings are furnished with a tapped hole in the center. This enables the equipment to be bolted securely to the mounting.



LD04033



LD04033

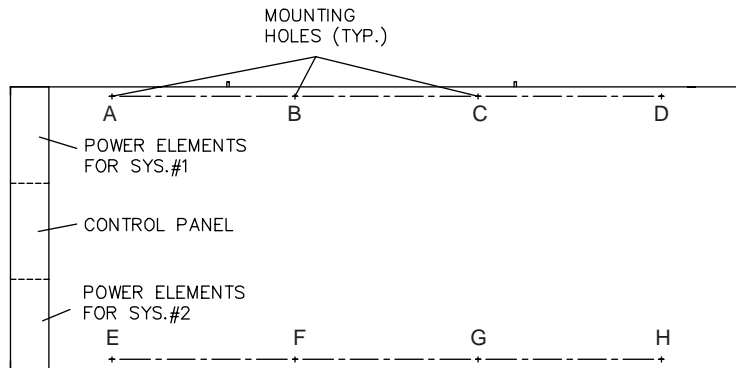
TYPE	COLOR CODE	MAX. LOAD		DEFLECTION ins. (mm)	
		lbs.	(kg)	R	RD
R-3 OR RD-3	BLACK	250	(113.5)	0.25 (6.3)	0.50 (12.7)
	RED	525	(238.3)		
	GREEN	750	(340.5)		
	GRAY	1,100	(499.4)		
R-4 OR RD-4	BLACK	1,500	(681.0)	0.25 (6.3)	0.50 (12.7)
	RED	2,250	(1021.5)		
	GREEN	3,000	(1362.0)		
	GRAY	4,000	(1816.0)		

DIMENSIONS: ins. (mm)									
TYPE	L	W	H	*HD	A	B	C	D	E
R-3 OR RD-3	5-1/2" (139.7)	3-3/8" (85.8)	1-3/4" (44.4)	2-7/8" (73.2)	2-1/2" (63.5)	1/2" (12.7)	4-1/8" (104.8)	9/16" (14.4)	1/4" (6.3)
R-4 OR RD-4	6-1/4" (158.7)	4-5/8" (117.6)	1-5/8" (41.4)	2-3/4" (69.8)	3" (76.2)	1/2" (12.7)	5" (127.0)	9/16" (14.4)	3/8" (9.6)

* HD dimension applies to double deflection Type RD mountings only.

WEIGHT DISTRIBUTION AND ISOLATOR MOUNTING POSITIONS

Copper Fin Condenser Coils with Silencer Kit



LD09472

COPPER FIN CONDENSER COILS WITH SILENCER KIT WEIGHT DISTRIBUTION BY MODEL (LBS)

YCAS	A	B	C	D	E	F	G	H	I	J	K	L	M	N	O	P	Total
0130	2,131	1,916	1,701	1,486	2,089	1,878	1,667	1,457	---	---	---	---	---	---	---	---	14,325
0140	2,138	1,922	1,705	1,488	2,111	1,897	1,683	1,469	---	---	---	---	---	---	---	---	14,411
0150	2,050	1,933	1,817	1,700	2,131	2,010	1,889	1,768	---	---	---	---	---	---	---	---	15,299
0160	2,072	1,962	1,852	1,742	2,129	2,016	1,903	1,790	---	---	---	---	---	---	---	---	15,468
0170	2,085	1,975	1,865	1,755	2,156	2,042	1,929	1,815	---	---	---	---	---	---	---	---	15,621
0180	2,089	1,979	1,869	1,759	2,167	2,053	1,939	1,824	---	---	---	---	---	---	---	---	15,678
0200	2,406	2,225	2,044	1,864	2,458	2,273	2,088	1,904	---	---	---	---	---	---	---	---	17,262
0210	2,422	2,240	2,059	1,877	2,481	2,295	2,109	1,923	---	---	---	---	---	---	---	---	17,405
0230	2,424	2,241	2,059	1,876	2,491	2,303	2,115	1,927	---	---	---	---	---	---	---	---	17,435

COPPER FIN CONDENSER COILS WITH SILENCER KIT WEIGHT DISTRIBUTION BY MODEL (KGS)

YCAS	A	B	C	D	E	F	G	H	I	J	K	L	M	N	O	P	Total
0130	967	869	772	674	948	852	756	661	---	---	---	---	---	---	---	---	6,498
0140	970	872	773	675	958	860	763	667	---	---	---	---	---	---	---	---	6,537
0150	930	877	824	771	967	912	857	802	---	---	---	---	---	---	---	---	6,940
0160	940	890	840	790	966	914	863	812	---	---	---	---	---	---	---	---	7,016
0170	946	896	846	796	978	926	875	823	---	---	---	---	---	---	---	---	7,086
0180	948	898	848	798	983	931	880	827	---	---	---	---	---	---	---	---	7,111
0200	1,091	1,009	827	845	1,115	1,031	847	864	---	---	---	---	---	---	---	---	7,830
0210	1,099	1,016	934	851	1,125	1,041	857	872	---	---	---	---	---	---	---	---	7,895
0230	1,100	1,017	934	851	1,130	1,045	959	874	---	---	---	---	---	---	---	---	7,908

7

WEIGHT DISTRIBUTION AND ISOLATOR MOUNTING POSITIONS

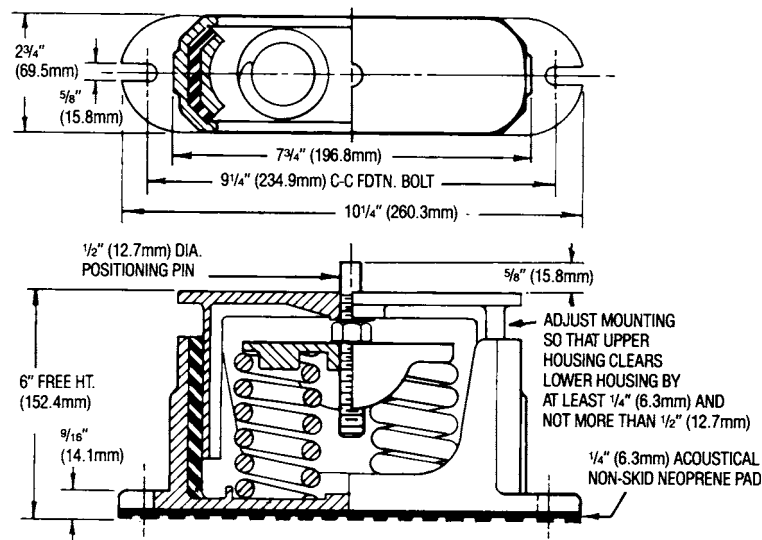
Copper Fin Condenser Coils with Silencer Kit

60 HERTZ, COPPER FINNS WITH SILENCER KIT, 1" ISOLATOR SELECTIONS - VMC TYPE CP- (SEE TABLE BELOW)

YCAS	A	B	C	D	E	F	G	H	I	J	K	L	M	N	O	P
0130	2-31	2-31	2-28	2-28	2-31	2-31	2-28	2-28	---	---	---	---	---	---	---	---
0140	2-31	2-31	2-28	2-28	2-31	2-31	2-28	2-28	---	---	---	---	---	---	---	---
0150	2-31	2-31	2-31	2-31	2-31	2-31	2-31	2-31	---	---	---	---	---	---	---	---
0160	2-31	2-31	2-31	2-31	2-31	2-31	2-31	2-31	---	---	---	---	---	---	---	---
0170	2-31	2-31	2-31	2-31	2-31	2-31	2-31	2-31	---	---	---	---	---	---	---	---
0180	2-31	2-31	2-31	2-31	2-31	2-31	2-31	2-31	---	---	---	---	---	---	---	---
0200	2-35	2-32	2-31	2-28	2-35	2-32	2-31	2-31	---	---	---	---	---	---	---	---
0210	2-35	2-32	2-31	2-28	2-35	2-32	2-31	2-31	---	---	---	---	---	---	---	---
0230	2-35	2-32	2-31	2-28	2-35	2-32	2-31	2-31	---	---	---	---	---	---	---	---

ISOLATOR TYPE & SIZE	MAX LOAD		DEFL.		SPRING COLOR
	lbs.	kg	in.	mm	
CP-2-26	1,200	544.3	1.17	29.7	Purple
CP-2-27	1,500	680.4	1.06	26.9	Orange
CP-2-28	1,800	816.4	1.02	25.9	Green
CP-2-31	2,200	997.9	0.83	21.0	Gray
CP-2-32	2,600	1179.3	0.74	18.7	White
CP-2-35	3,000	1360.8	0.70	17.7	Gold

ISOLATOR DETAILS



LD01089

FIG. 34 – CP-2-XX

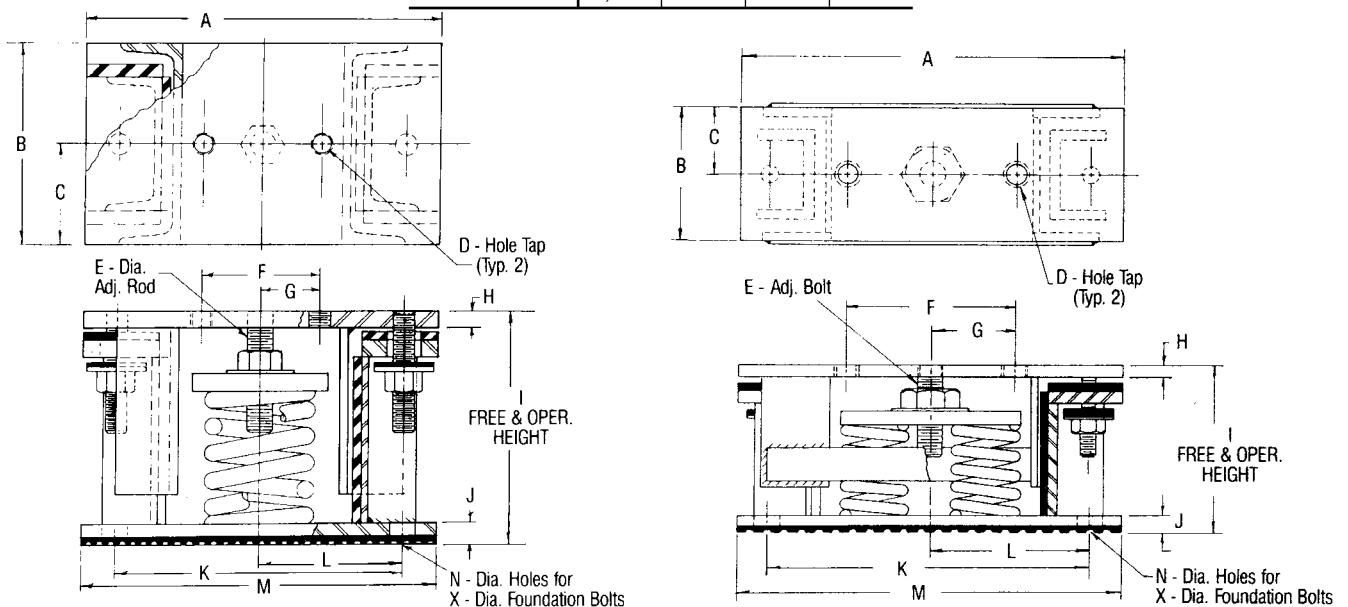
WEIGHT DISTRIBUTION AND ISOLATOR MOUNTING POSITIONS

Copper Fin Condenser Coils with Silencer Kit

60 HERTZ, CU. FINS, SEISMIC ISOLATOR SELECTIONS - VMC MODEL # AWMR-(SEE TABLE BELOW)

YCAS	A	B	C	D	E	F	G	H	I	J	K	L	M	N	O	P
0130	1-553	1-552	1-552	1-553	1-553	1-552	1-552	1-531	---	---	---	---	---	---	---	---
0140	1-553	1-552	1-552	1-553	1-553	1-552	1-552	1-531	---	---	---	---	---	---	---	---
0150	1-553	1-553	1-553	1-553	1-553	1-553	1-553	1-553	---	---	---	---	---	---	---	---
0160	1-553	1-553	1-553	1-553	1-553	1-553	1-553	1-553	---	---	---	---	---	---	---	---
0170	1-553	1-553	1-553	1-553	1-553	1-553	1-553	1-553	---	---	---	---	---	---	---	---
0180	1-553	1-553	1-553	1-553	1-553	1-553	1-553	1-553	---	---	---	---	---	---	---	---
0200	2-532	2-553	1-553	1-551	2-532	2-531	1-553	2-53	---	---	---	---	---	---	---	---
0210	2-532	2-553	1-553	1-551	2-532	2-531	1-553	2-53	---	---	---	---	---	---	---	---
0230	2-532	2-553	1-553	1-551	2-532	2-531	1-553	2-53	---	---	---	---	---	---	---	---

ISOLATOR TYPE & SIZE	MAX LOAD		DEFL.	
	lbs.	kg	in.	mm
AWMR-1-53	1,000	453.6	2	51
AWMR-1-530	1,150	521.6	2	51
AWMR-1-531	1,276	578.8	2	51
AWMR-1-532	1,500	680.4	2	51
AWMR-1-551	1,676	760.2	2	51
AWMR-1-552	1,900	861.8	2	51
AWMR-1-553	2,200	997.9	2	51
AWMR-2-520	1,300	589.7	2	51
AWMR-2-521	1,552	704.0	2	51
AWMR-2-53	2,000	907.2	2	51
AWMR-1-530	2,300	1043.3	2	51
AWMR-2-531	2,552	1157.6	2	51
AWMR-2-532	3,000	1360.8	2	51



AWMR-1-XXX

LD02973

AWMR-2-XXX

LD02974

DIMENSIONS - In.

	A	B	C	D	E	F	G	H	I	J	K	L	M	N/X
AWMR-1 50-553	10-1/2	6	3	5/8 11NC	3/4	3-1/2	1-3/4	1/2	9	5/8	8-1/2	4-1/4	10-1/2	3/4 5/8
AWMR-2 50-553	15	6	3	3/4 10NC	1	7-1/2	3-3/4	1/2	9-1/2	5/8	14-1/2	7-1/4	17	3/4 5/8

FIG. 35 – TYPE AWMR ISOLATOR DETAILS

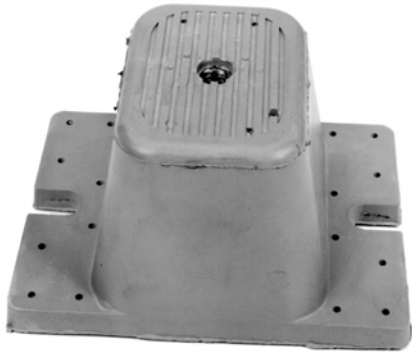
WEIGHT DISTRIBUTION AND ISOLATOR MOUNTING POSITIONS

Copper Fin Condenser Coils with Silencer Kit

60 HERTZ, CU. FINs, NEOPRENE MOUNT SELECTION- VMC TYPE RD (SEE TABLE BELOW)

YCAS	A	B	C	D	E	F	G	H	I	J	K	L	M	N	O	P
0130	-4 Red	-4 Red	-4 Red	-4 Red	-4 Red	-4 Red	-4 Red	-4 Red	---	---	---	---	---	---	---	---
0140	-4 Red	-4 Red	-4 Red	-4 Red	-4 Red	-4 Red	-4 Red	-4 Red	---	---	---	---	---	---	---	---
0150	-4 Red	-4 Red	-4 Red	-4 Red	-4 Red	-4 Red	-4 Red	-4 Red	---	---	---	---	---	---	---	---
0160	-4 Red	-4 Red	-4 Red	-4 Red	-4 Red	-4 Red	-4 Red	-4 Red	---	---	---	---	---	---	---	---
0170	-4 Red	-4 Red	-4 Red	-4 Red	-4 Red	-4 Red	-4 Red	-4 Red	---	---	---	---	---	---	---	---
0180	-4 Red	-4 Red	-4 Red	-4 Red	-4 Red	-4 Red	-4 Red	-4 Red	---	---	---	---	---	---	---	---
0200	-4 Grn	-4 Grn	-4 Red	-4 Red	-4 Grn	-4 Grn	-4 Red	-4 Red	---	---	---	---	---	---	---	---
0210	-4 Grn	-4 Grn	-4 Red	-4 Red	-4 Grn	-4 Grn	-4 Red	-4 Red	---	---	---	---	---	---	---	---
0230	-4 Grn	-4 Grn	-4 Red	-4 Red	-4 Grn	-4 Grn	-4 Red	-4 Red	---	---	---	---	---	---	---	---

NEW DESIGN FOR TYPE RD-4 NEOPRENE MOUNTINGS.



TYPE RD-3

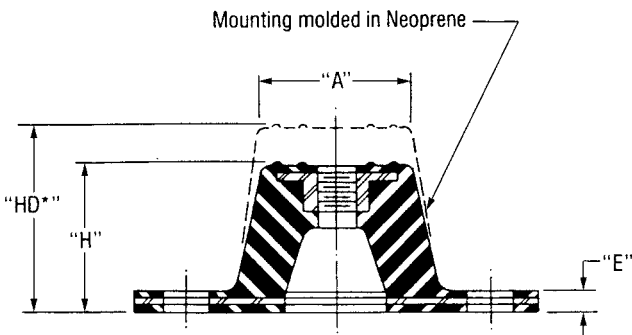


**TYPE R OR RD
NO BOLTING IS PREFERRED—**
Type R or RD mountings are may be used without bolting under machines having no lateral or severe vertical motion.

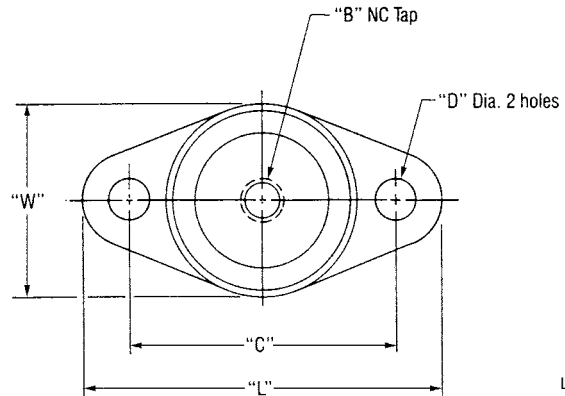
29518A

**TYPE R OR RD
IF BOLTING IS PREFERRED—**
Type R or RD mountings are furnished with a tapped hole in the center. This enables the equipment to be bolted securely to the mounting.

29517A



LD04033



LD04033

TYPE	COLOR CODE	MAX. LOAD		DEFLECTION ins. (mm)	
		lbs.	(kg)	R	RD
R-3 OR RD-3	BLACK	250	(113.5)	0.25 (6.3)	0.50 (12.7)
	RED	525	(238.3)		
	GREEN	750	(340.5)		
	GRAY	1,100	(499.4)		
R-4 OR RD-4	BLACK	1,500	(681.0)	0.25 (6.3)	0.50 (12.7)
	RED	2,250	(1021.5)		
	GREEN	3,000	(1362.0)		
	GRAY	4,000	(1816.0)		

DIMENSIONS: ins. (mm)

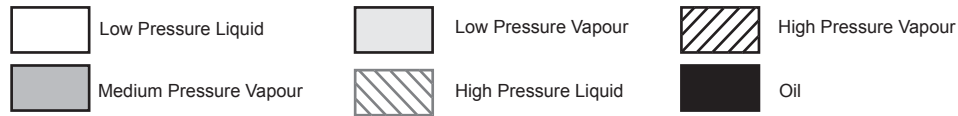
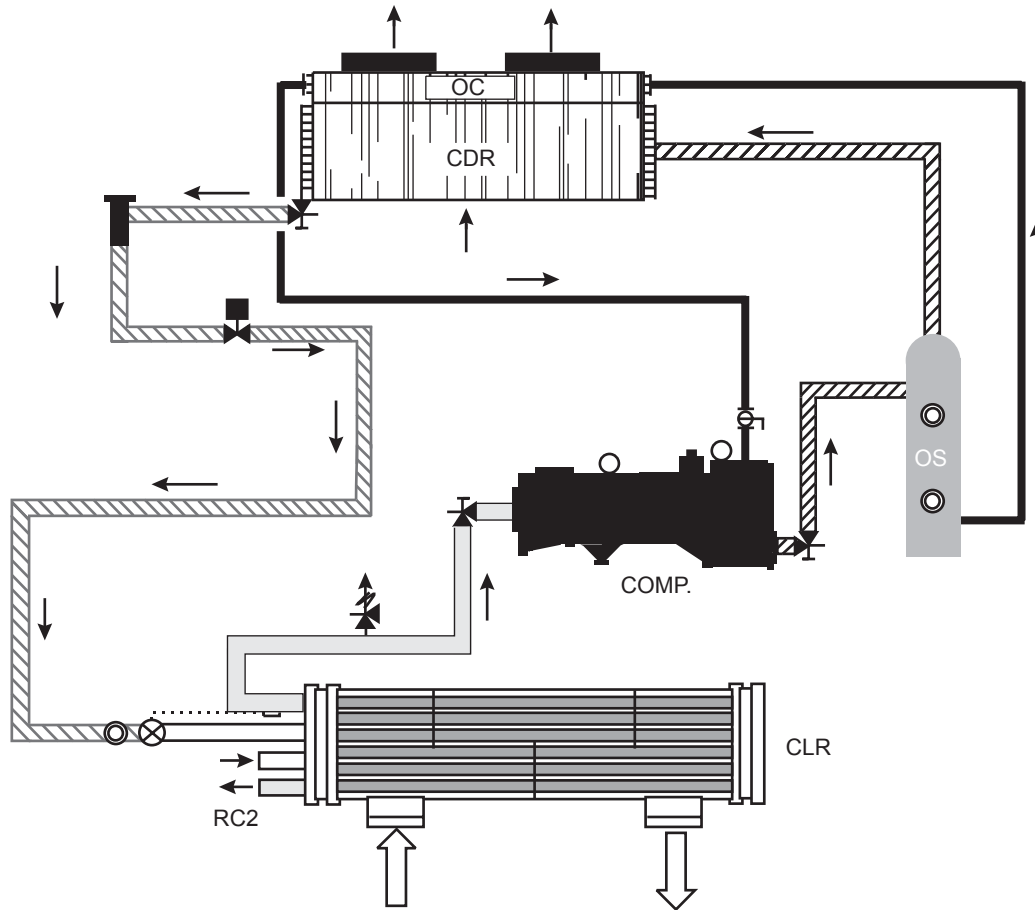
TYPE	L	W	H	*HD	A	B	C	D	E
R-3 OR RD-3	5-1/2" (139.7)	3-3/8" (85.8)	1-3/4" (44.4)	2-7/8" (73.2)	2-1/2" (63.5)	1/2" (12.7)	4-1/8" (104.8)	9/16" (14.4)	1/4" (6.3)
R-4 OR RD-4	6-1/4" (158.7)	4-5/8" (117.6)	1-5/8" (41.4)	2-3/4" (69.8)	3" (76.2)	1/2" (12.7)	5" (127.0)	9/16" (14.4)	3/8" (9.6)

* HD dimension applies to double deflection Type RD mountings only.

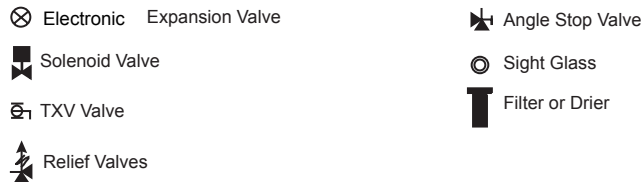
INSTALLATION INSTRUCTIONS FOR VMC SERIES AWR/AWMR AND CP RESTRAINED MOUNTINGS

1. Floor should be level and smooth.
2. For indoor applications, isolators do not normally require bolting. If necessary, anchor isolators to floor through bolt holes in base plate.
IMPORTANT: Isolators must be bolted to substructure and equipment to isolators when used under outdoor equipment exposed to wind forces.
3. Lubricate threads of adjusting bolt. Loosen hold down bolts to allow for isolator adjustment.
4. Block the equipment 1/4" higher than the specified free height of the isolator. To use the isolator as blocking for the equipment, insert a 1/4" shim between the upper load plate and vertical uprights. Lower the equipment on the blocking or shimmed isolators.
5. Complete piping and fill equipment with water, refrigerant, etc.
6. Turn leveling bolt of first isolator four full revolutions and proceed to each mount in turn.
7. Continue turning leveling bolts until equipment is fully supported by all mountings and equipment is raised free of the spacer blocks or shims. Remove blocks or shims.
8. Turn leveling bolt of all mountings in either direction in order to level the installation.
9. Tighten nuts on hold down bolts to permit a clearance of 1/8" between resilient washer and underside of channel cap plate.
10. Installation is now complete.

REFRIGERANT FLOW DIAGRAM



COMP - Compressor CDR - Condenser Coil CLR - Cooler EC - Economizer (Added to some models)
 OC - Oil Cooler OS - Oil Separator



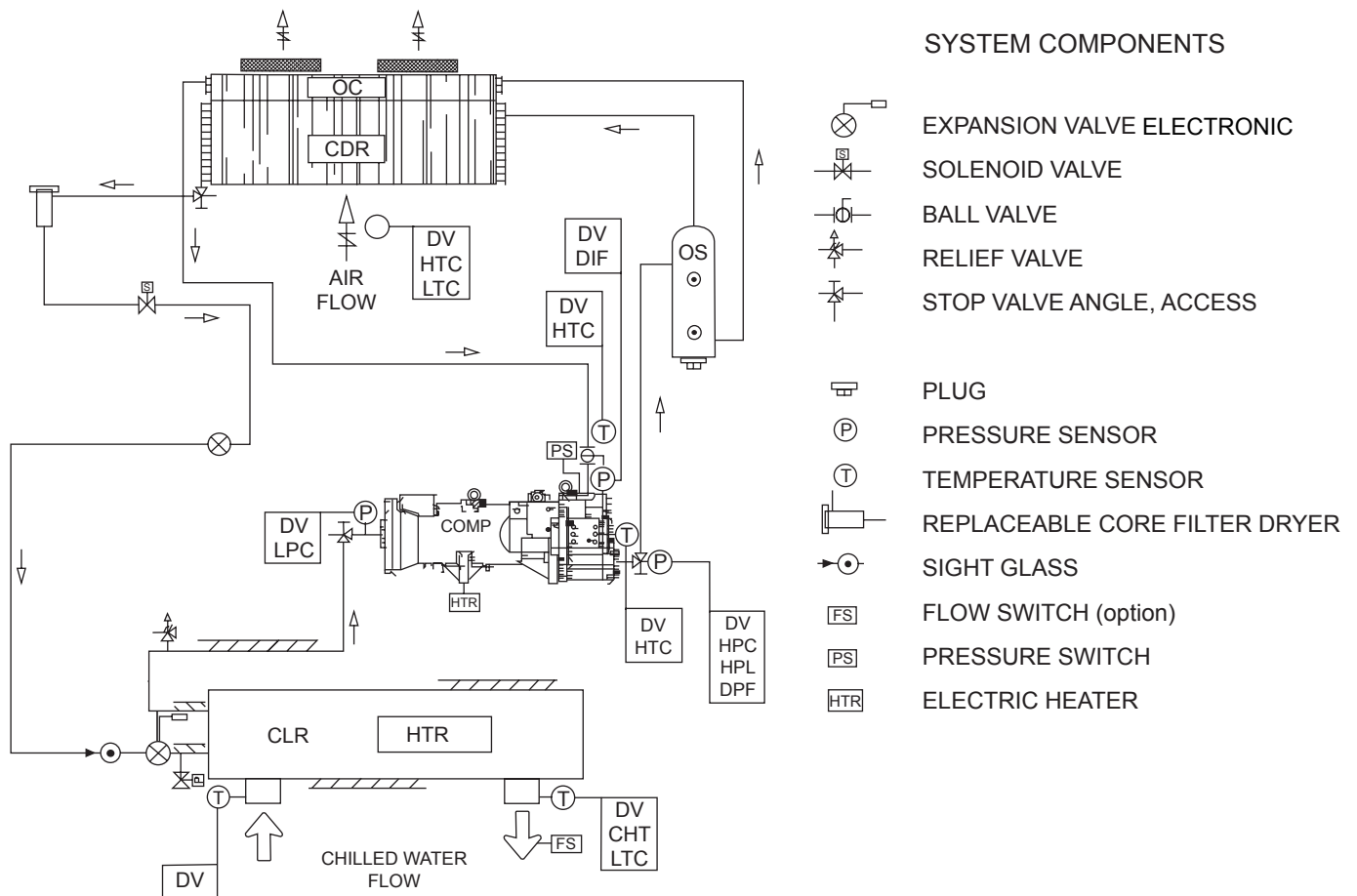
LD09428

FIG. 36 – REFRIGERANT FLOW DIAGRAM

Low pressure liquid refrigerant enters the evaporator and is evaporated and superheated by the heat energy absorbed from the chilled water passing through the evaporator shell. Low pressure vapor enters the compressor where pressure and superheat are increased. High pressure vapor is passed through the oil separator where compressor oil is removed and recirculated to the compressor via the condenser. The high pressure oil-free vapor is fed to the air cooled condenser coil where the heat is removed. On economized models, the fully condensed liquid enters the economizer.

A small percentage of the of the liquid passes through an expansion valve, into the other side of the economizer where it is evaporated. This low pressure liquid subcools the major part of the refrigerant. Medium pressure vapor then returns to the compressor. The subcooled refrigerant then passes through the expansion valve where pressure is reduced and further cooling takes place before returning to the evaporator.

PROCESS AND INSTRUMENTATION DIAGRAM



SYSTEM COMPONENTS

- EXPANSION VALVE ELECTRONIC
- SOLENOID VALVE
- BALL VALVE
- RELIEF VALVE
- STOP VALVE ANGLE, ACCESS
- PLUG
- PRESSURE SENSOR
- TEMPERATURE SENSOR
- REPLACEABLE CORE FILTER DRYER
- SIGHT GLASS
- FLOW SWITCH (option)
- PRESSURE SWITCH
- ELECTRIC HEATER

MAJOR COMPONENTS

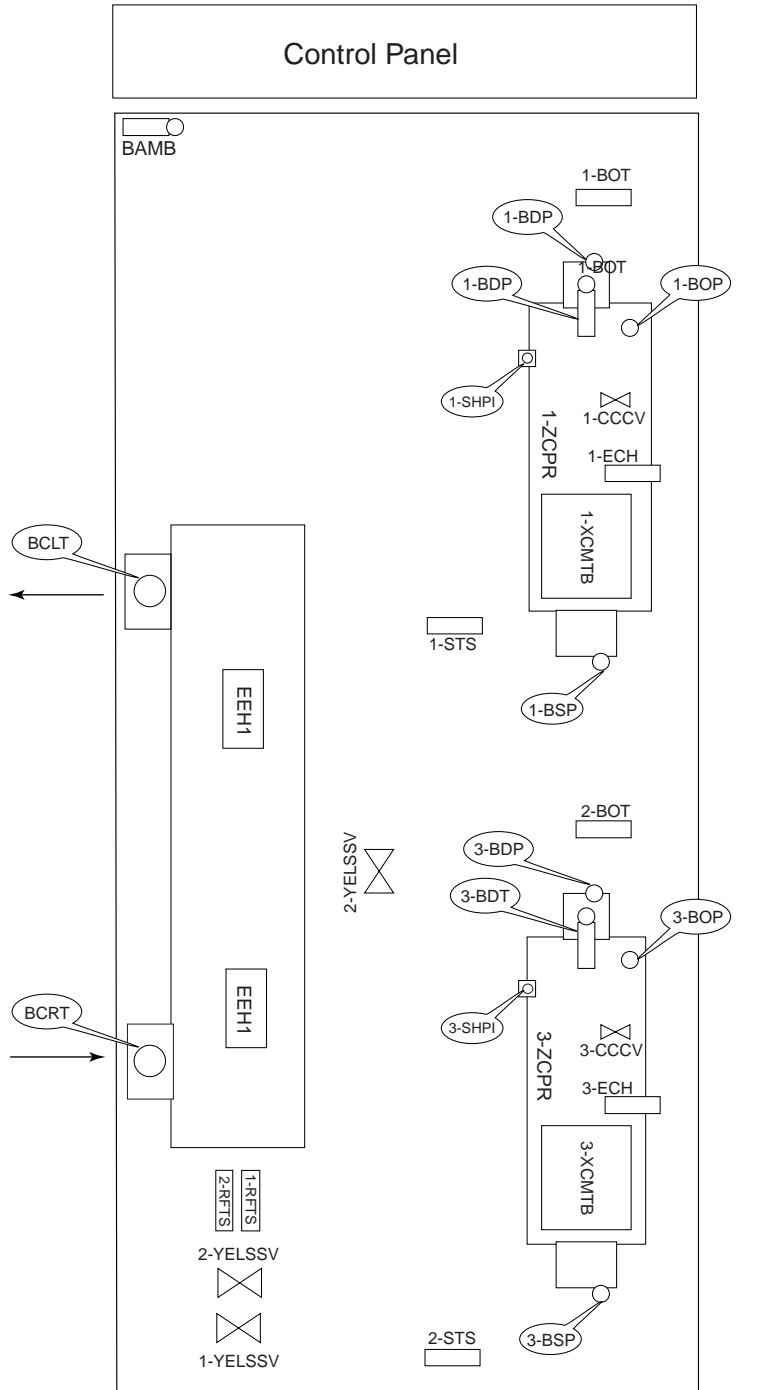
- COMP COMPRESSOR
- CDR CONDENSER COIL
- CLR COOLER
- OC OIL COOLER COIL
- OS OIL SEPARATOR

MICROPROCESSOR CONTROL FUNCTIONS

- CHT CHILLED LIQUID THERMOSTAT
- DIF DIFFERENTIAL PRESSURE CUTOUT
- DFP DISCHARGE PRESSURE FAN CONTROL
- DV DISPLAY VALUE
- HPL HIGH PRESSURE LOAD LIMITING
- HTC HIGH TEMPERATURE CUTOUT
- LPC LOW PRESSURE CUTOUT
- LTC LOW TEMPERATURE CUTOUT

FIG. 37 – PROCESS AND INSTRUMENTATION DIAGRAM

COMPONENT LOCATIONS



- BAMB AMBIENT
- BCLT COLD LEAVING TEMPERATURE
- BCRT COLD RETURN TEMPERATURE
- BDP DISCHARGE PRESSURE
- BDT DISCHARGE TEMPERATURE
- BOP OIL PRESSURE
- BOT OIL TEMPERATURE
- BSP SUCTION PRESSURE
- CCCV COMPRESSOR CAPACITY CONTROL VALVE
- ECH CRANK CASE HEATER
- EEH EVAPORATOR HEATER
- SHPI HIGH PRESSURE CUT-OUT
- STS SUCTION TEMPERATURE SENSOR
- RFTS REFRIGERANT FEED TEMPERATURE SENSOR (R407C only)
- XCMTB COMPRESSOR MOTOR TERMINAL BOX
- YELSSV ECONOMIZER LIQUID SUPPLY SOLENOID VALVE
- ZCPR COMPRESSOR

LD07012

FIG. 38 – COMPONENT LOCATIONS

COMPRESSOR COMPONENTS

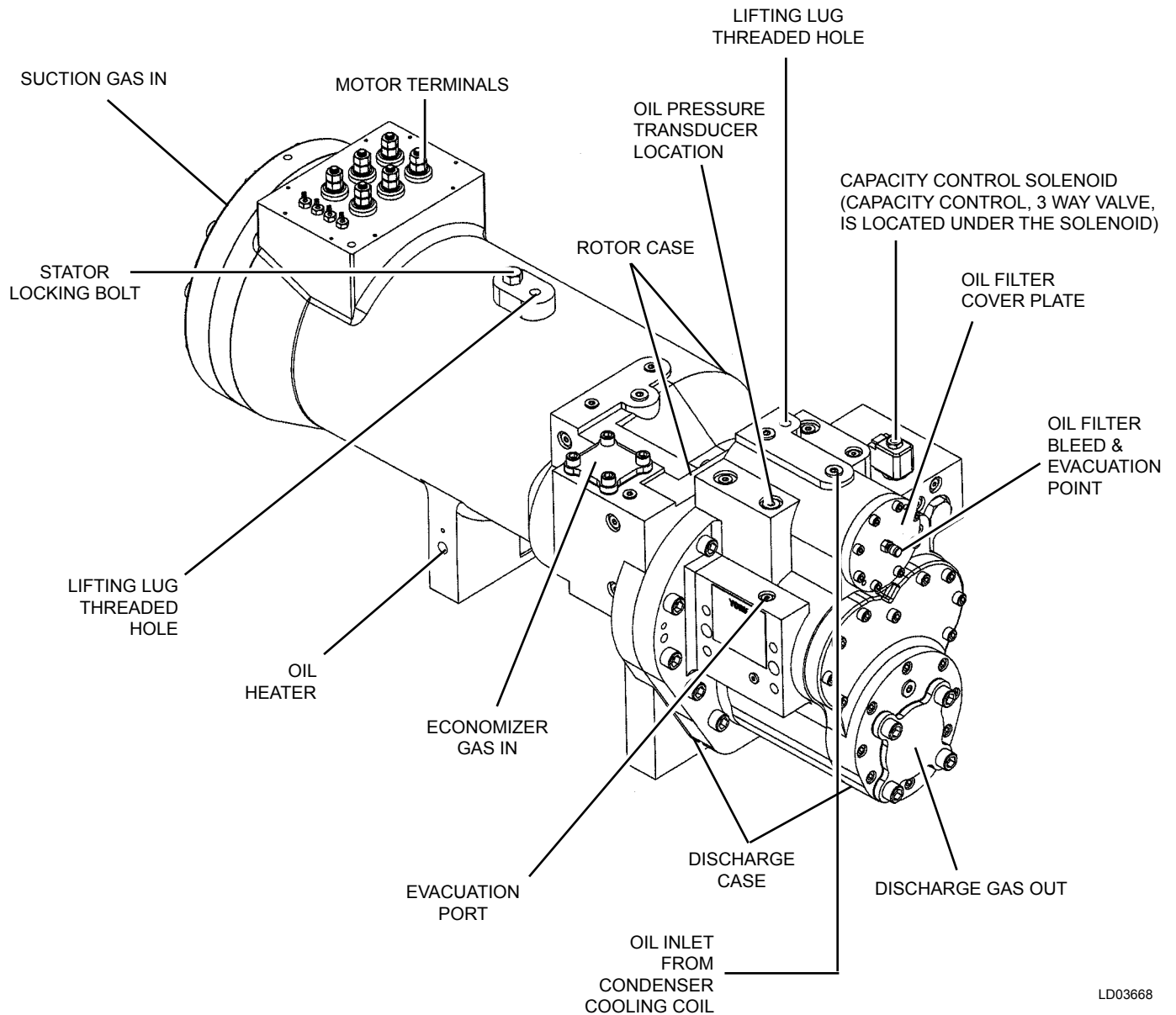
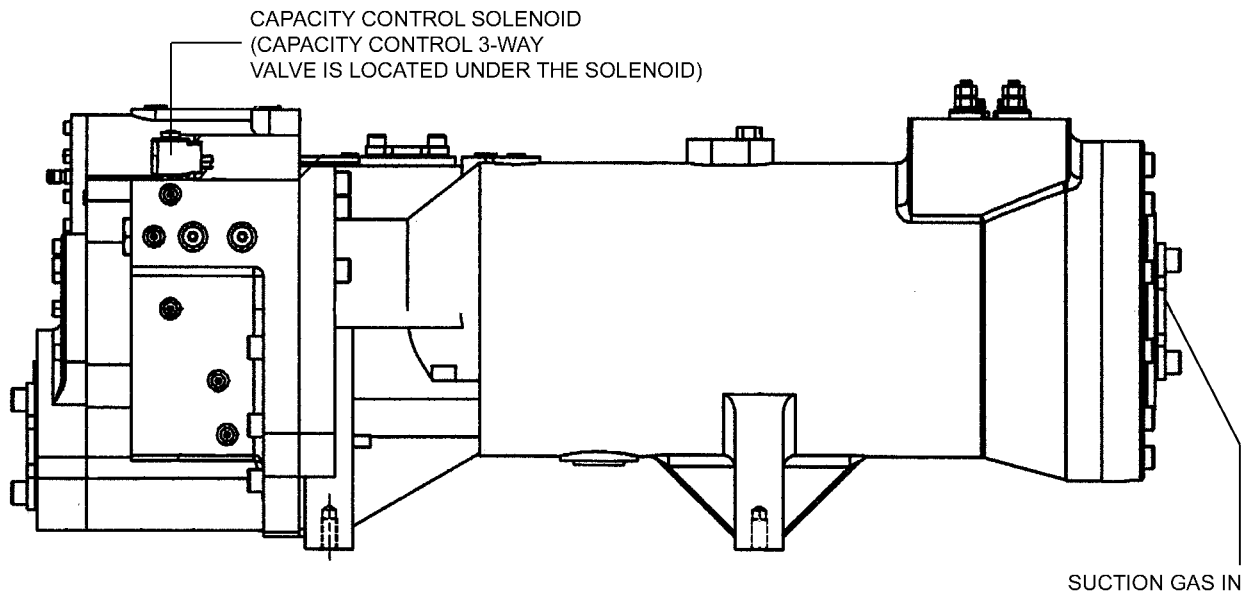


FIG. 39 – COMPRESSOR COMPONENTS

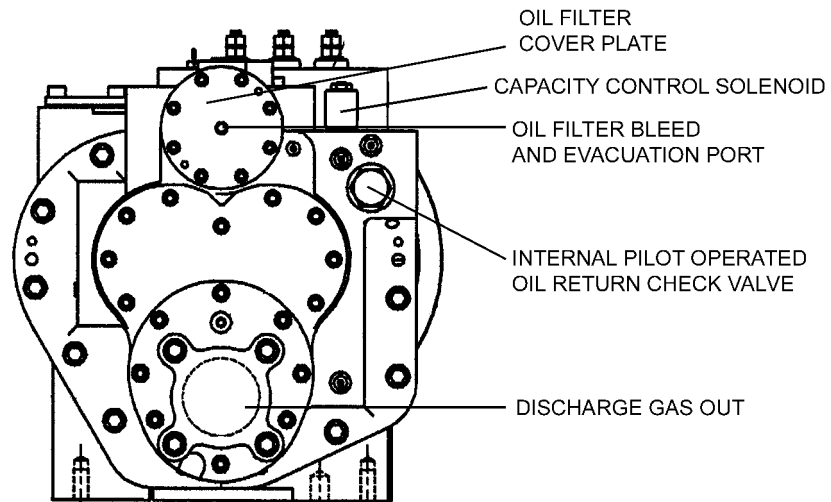
COMPRESSOR COMPONENTS – CONT'D



LD03669

FIG. 40 – COMPRESSOR COMPONENTS

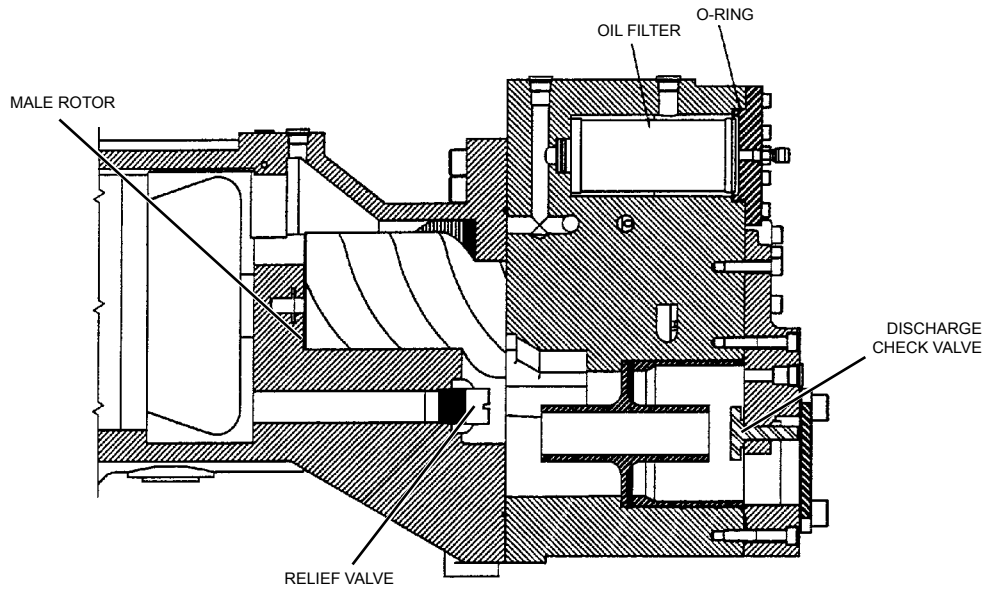
COMPRESSOR COMPONENTS – CONT'D



LD03670

FIG. 41 – COMPRESSOR COMPONENTS

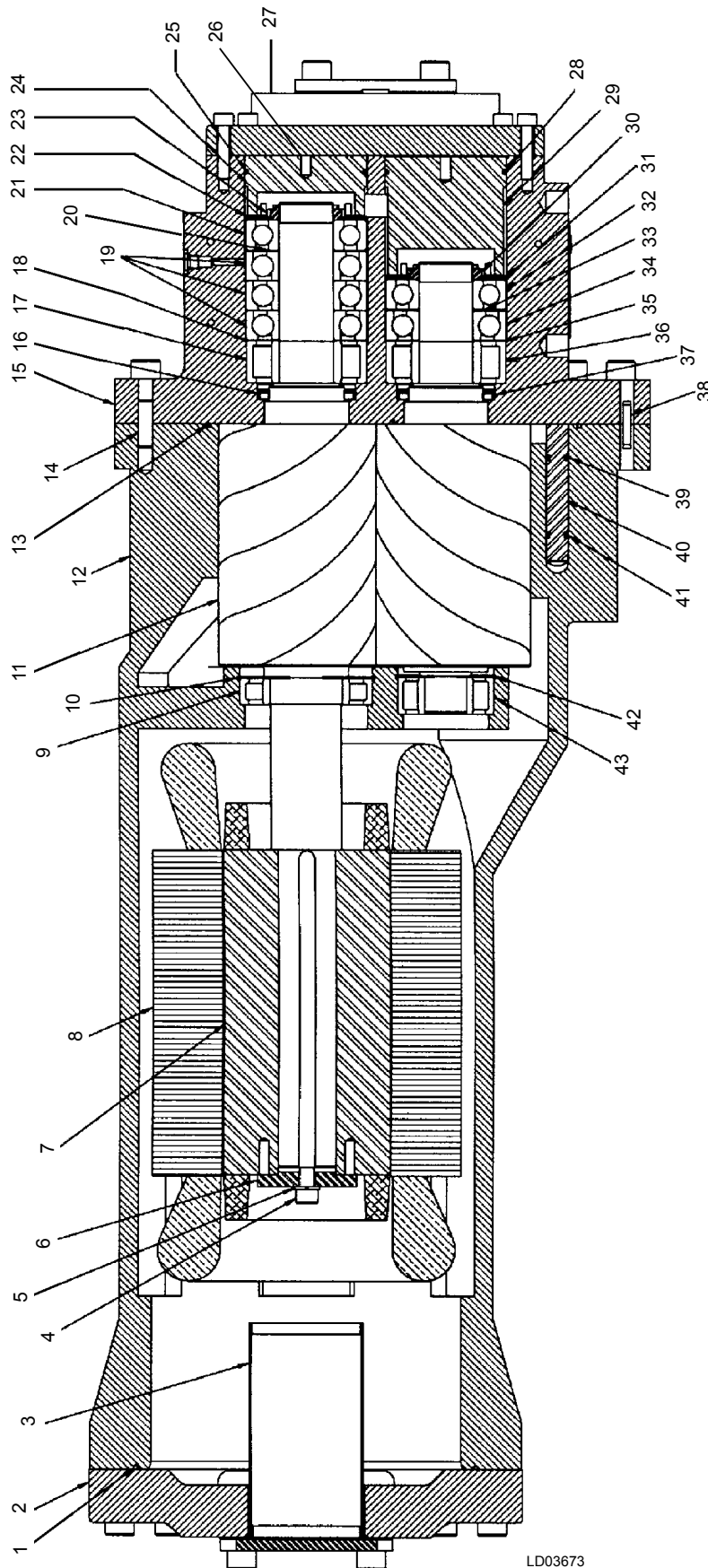
COMPRESSOR COMPONENTS – CONT'D



LD06079

FIG. 42 – COMPRESSOR COMPONENTS

COMPRESSOR COMPONENTS – CONT'D



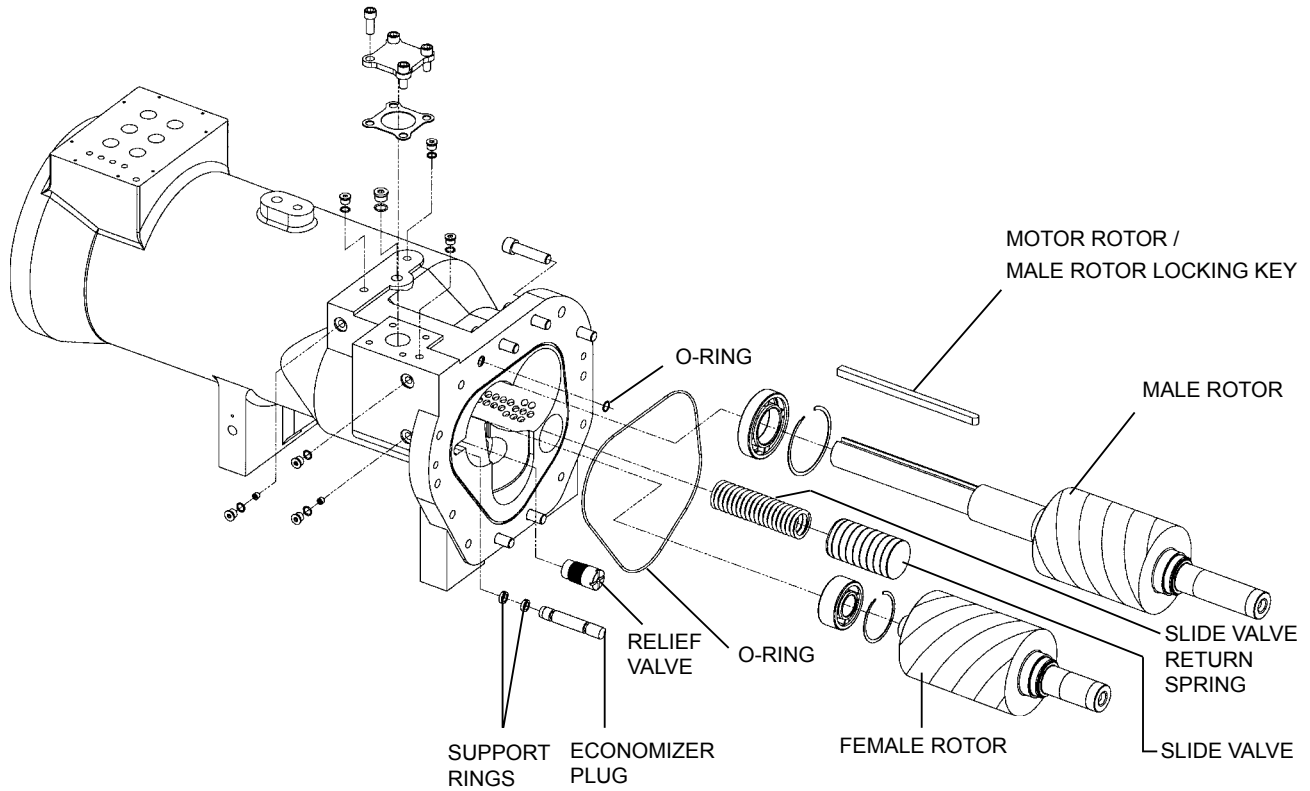
LD03673

NO.	PART NAME
1	O-RING
2	SUCTION COVER
3	SUCTION STRAINER
4	ROTOR SCREW
5	ROTOR LOCK WASHER
6	ROTOR CLAMP WASHER
7	ROTOR
8	STATOR
9	MALE INLET BEARING
10	MALE ROTOR RETAINING RING
11	MALE ROTOR
12	ROTOR CASE
13	O-RING
14	DOWEL PIN
15	DISCHARGE CASE
16	LIP SEAL
17	DISCHARGE RADIAL BEARING
18	SPACER SHIM
19	THRUST BEARINGS
20	THRUST SPACE SHIM
21	REVERSE THRUST BEARING
22	BEARING CLAMP NUT
23	BEARING SPACER SLEEVE
24	BEARING PRELOAD SPRING
25	O-RING
26	BEARING BORE PLUG
27	DISCHARGE COVER
28	BEARING BORE PLUG
29	BEARING PRELOAD SPRING
30	BEARING SPACER SLEEVE
31	BEARING CLAMP NUT
32	REVERSE THRUST BEARING
33	THRUST SPACER SHIM
34	THRUST BEARINGS
35	SPACER SHIM
36	DISCHARGE RADIAL BEARING
37	LIP SEAL
38	DOWEL PIN
39	SUPPORT RING
40	ECONOMIZER PLUG
41	SUPPORT RING
42	FEMALE ROTOR RETAINING RING
43	FEMALE INLET BEARING

FIG. 43 – COMPRESSOR COMPONENTS

YORK INTERNATIONAL

COMPRESSOR COMPONENTS – CONT'D



LD03672

FIG. 44 – COMPRESSOR COMPONENTS

SYSTEM STARTUP CHECKLIST

JOB NAME: _____
SALES ORDER #: _____
LOCATION: _____
SOLD BY: _____
INSTALLING CONTRACTOR: _____
START-UP TECHNICIAN/ COMPANY: _____
START-UP DATE : _____

CHILLER MODEL #: _____
SERIAL #: _____

COMPRESSOR #1
MODEL#: _____
SERIAL #: _____
COMPRESSOR #2
MODEL#: _____
SERIAL #: _____

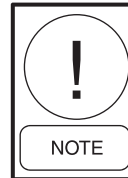
UNIT CHECKS (NO POWER)

Check the system 24 hours prior to initial start.

- 1. Inspect the unit for shipping or installation damage.
- 2. Assure that all piping has been completed.
- 3. Check that the unit is properly charged and that there are no piping leaks.
- 4. Open each compressor suction service valve, discharge service valve, economizer service valve, liquid line stop valve, and oil line ball valves.
- 5. The compressor oil level should be maintained so that an oil level is visible in either of the two oil separator sight glasses. In other words, oil level should always be maintained, running or not, above the bottom of the lower sight glass and below the top of the upper sight glass.

If it is necessary to add oil, connect a YORK oil pump to the charging valve on the oil separator, but do not tighten the flare nut on the delivery tubing. With the bottom (suction end) of the pump submerged in oil to avoid entrance of air,

operate the pump until oil drips from the flare nut joint, allowing the air to be expelled, and tighten the flare nut. Open the oil charging valve on the oil separator and pump in oil until it reaches the proper level as described above.



In actual operation, due to splashing, an oil level may be seen in both sight glasses. Run the compressor for a few minutes fully loaded, shut the system down, and assure there is an oil level showing in the bottom or top sight glass with the compressor off.

- 6. Assure water pumps are on. Check and adjust water pump flow rate and pressure drop across the evaporator.



Excessive flow may cause catastrophic damage to the evaporator.

- 7. Check the control panel to assure it is free of foreign material (wires, metal chips, etc.).
- 8. Visually inspect wiring (power and control). Wiring MUST meet N.E.C. and local codes. See Fig. 9 and 10, pages 36 and 37.
- 9. Check tightness of power wiring inside the power panel on both sides of the motor contactors and inside the motor terminal boxes.
- 10. Check for proper size fuses in main and control circuits.
- 11. Verify that field wiring matches the 3-phase power requirements of the compressor. See chiller nameplate (Pages 25 - 26).
- 12. Assure 115VAC Control Power has 30A minimum capacity. See Fig. 14, page 41.
- 13. Be certain all water temp sensors are inserted completely in their respective wells and are coated with heat conductive compound.
- 14. Assure that evaporator EEV bulbs are strapped onto the suction lines at 4 or 8 o'clock positions.
- 15. Assure that the 15 ton economizer TXV bulbs are strapped onto the compressor economizer supply lines at 4 or 8 o'clock positions.

- 16. Assure that the Flow Switch is properly installed, wired correctly, and working.
- 17. Assure bolts through compressor feet to bottom frame rails are removed.

PANEL CHECKS

(Power ON – Both System Switches “OFF”)

- 1. Apply 3-phase power and verify its value (See Fig. 9 and 10 pages 36 and 37).
- 2. Apply 115VAC and verify its value on the terminal block in the lower left of the Power Panel. Make the measurement between terminals 5 and 2 (See Fig. 14, page 41). The voltage should be 115VAC +/- 10%.
- 3. **Assure the heaters on each compressor are on. Allow the compressor heaters to remain on a minimum of 24 hours before start-up. This is important to assure that no refrigerant is in the compressor oil at start-up!**
- 4. Program the dip switches on the microprocessor board for the desired operating requirements. See Fig. 49, Page 147. OPEN = Left side of switch pushed down. CLOSED = Right side of switch pushed down.

SWITCH	SWITCH "OPEN" SETTING	SWITCH "CLOSED" SETTING
1	Water Cooling	Glycol Cooling
2	Standard Ambient Control	Low Ambient Control
3	Refrigerant R-407C	Refrigerant R-22
4	Do Not Use	YCAS
5	Do Not Use	Motor Current Averaging (Start-Up) Disabled
6	Heat Recovery Disabled	Do Not Use
7	Expansion Valve Thermostatic	Expansion Valve Electronic*
8	Standard Options Enabled	Do Not Use

*Expansion valve electronic should always be selected when an EEV is installed.

Verify the selections by pressing the OPTIONS Key on the control panel. Check them off in the chart above.



Damage to the chiller could result if switches are improperly programmed.

- 5. Program the required operating values into the micro for cut-outs, safeties, etc. and record them in the chart below. See Page 166 for details.
Record programmed values in the chart below.

PROGRAMMED VALUES

- Display Language = _____
- Discharge Press Cutout = _____ PSIG (kPa)
- Discharge Press Unload = _____ PSIG (kPa)
- Suction Press Cutout = _____ PSIG (kPa)
- High Amb Cutout = _____ °F (°C)
- Low Amb Cutout = _____ °F (°C)
- Leaving Chilled Liquid Temp Cutout = _____ °F (°C)
- High Motor Current Unload = _____ % FLA
- Anti-Recycle Time = _____ Secs
- Local / Remote Mode = _____
- Display Units = _____
- Lead / Lag Control = _____
- Power Failure Restart = _____
- Suction Superheat Setpoint = _____ °F (°C)

- 6. Program the Chilled Liquid Setpoint/Range and record:
Setpoint = _____ °F (°C)
Range = +/- _____ °F (°C)

Keep in mind that the setpoint temperature displayed by the micro should equal the desired leaving water temperature.

- 7. Assure that the CLK jumper J18 on the Microprocessor Board is in the ON position (Top 2 pins).
- 8. Set the Time and Date.
- 9. Program the Daily Schedule start and stop times.
- 10. Check the Factory Service Mode programming values, (See Section 8.9) assure they are correct, and record the values below:

- Refrigerant Type = _____
- R407C Chiller Type = _____
- Unit Type = _____

Heat Recovery = _____
 Sys #1 100% FLA = _____ Amps
 Sys #2 100% FLA = _____ Amps
 Sys #1 Motor Protector Input = _____ Volts
 Sys #2 Motor Protector Input = _____ Volts



Typically, these values should not be changed. Incorrect programming may cause catastrophic chiller failure.

- 11. Check the Motor Protector Dip Switch programming. The switches should correctly set at the factory. The switches may be checked visibly and the total ON switches added using binary addition to determine the setting or by reading the display on the motor protector. See Section 8 for programming information. Record the values below:

Sys #1 Wires thru each hole of the C.T. = _____
 Sys #1 MP Setting = _____
 Sys #2 Wires thru each hole of the C.T. = _____
 Sys #2 MP Setting = _____

INITIAL START-UP

After the control panel has been programmed and the compressor heater has been on for 24 hours prior to start-up, the chiller may be placed into operation.

- 1. Place the System Switches on the Microprocessor Board to the ON position.
- 2. The compressor will start and a flow of refrigerant will be noted in the sight glass. After several minutes of operation, the bubbles in the sight glass will disappear and there will be a solid column of liquid when the TXV stabilizes. After the water temperature stabilizes at desired operating conditions, the sight glass should be clear.
- 3. Allow the compressor to run a short time, being ready to stop it immediately if any unusual noise or adverse conditions develop. Immediately at start-up, the compressor will make sounds different from its normal high pitched sound. This is due to the compressor coming up to speed and lubrication changing from liquid refrigerant to oil. This should be of no concern and lasts for only a short time.

- 4. Check the system operating parameters. Do this by selecting various displays such as pressures and temperatures. Compare these to test gauge readings.

CHECKING SUBCOOLING AND SUPERHEAT

The subcooling should always be checked when charging the system with refrigerant and/or before setting the superheat.

When the refrigerant charge is correct, there will be no bubbles in the liquid sight glass with the system operating under full load conditions, and there will be 12 - 15°F (6 - 8°C) subcooled liquid leaving the condenser. An overcharged system should be guarded against. Evidences of overcharge are as follows:

- a. If a system is overcharged, the discharge pressure will be higher than normal. (Normal discharge/condensing pressure can be found in the refrigerant temperature/pressure chart; use entering air temperature +30°F (17°C) for normal condensing temperature.
- b. The temperature of the liquid refrigerant out of the condenser should be not be more than 15°F (8°C) less than the condensing temperature (The temperature corresponding to the condensing pressure from the refrigerant temperature/pressure chart).

The subcooling temperature of each system should be calculated by recording the temperature of the liquid line at the outlet of the condenser and subtracting it from the recorded liquid line pressure at the liquid stop valve, converted to temperature from the temperature/pressure chart.

Example:

Liquid line pressure =
 202 PSIG converted to 102°F (39°C)
 minus liquid line temp. - 87°F (31°C)
 SUBCOOLING = 15°F (8.3°C)

The subcooling should be adjusted to 12-15°F (6.7- 8.3°C).

- 1. Record the liquid line pressure and its corresponding temperature, liquid line temperature and subcooling below:

	SYS 1	SYS 2		
Liq Line Press =	_____	_____	PSIG	(kPa)
Temp =	_____	_____	°F	(°C)
Liq Line Temp =	_____	_____	°F	(°C)
Subcooling =	_____	_____	°F	(°C)



If equipped with an economizer, the economizer will provide approximately an additional 20°F (11.1°C) subcooling at the expansion valve in ambients above 90°F (32°C). Below 90°F (32°C), the economizer will not provide additional subcooling.

After the subcooling is set, the suction superheat should be checked. The superheat should be checked only after steady state operation of the chiller has been established, the leaving water temperature has been pulled down to the required leaving water temperature, and the unit is running in a fully loaded condition. Correct superheat setting for a system is 10 - 12°F (6 - 7°C).

The superheat is calculated as the difference between the actual temperature of the returned refrigerant gas in the suction line entering the compressor and the temperature corresponding to the suction pressure as shown in a standard pressure/temperature chart.

Example:

$$\begin{array}{r} \text{Suction Temp} = 46^{\circ}\text{F} \quad (8^{\circ}\text{C}) \\ \text{minus Suction Press} \\ \text{60 PSIG converted} \\ \text{to Temp} \quad - 34^{\circ}\text{F} \quad (1^{\circ}\text{C}) \\ \hline 12^{\circ}\text{F} \quad (7^{\circ}\text{C}) \end{array}$$

The suction temperature should be taken 6" (13 mm) before the compressor suction service valve, and the suction pressure is taken at the compressor suction service valve.



The EEV is non-adjustable. Superheat setpoint is programmable from the keypad.

- 2. Record the suction temperature, suction pressure, suction pressure converted to temperature, and superheat of each system below:

	SYS 1	SYS 2		
Suction Press =	_____	_____	PSIG	(kPa)
Suction Temp =	_____	_____	°F	(°C)
Suction Press Converted to Temp =	_____	_____	°F	(°C)
Superheat =	_____	_____	°F	(°C)

CHECKING ECONOMIZER SUPERHEAT (IF APPLICABLE) (15 TON TXV)

The economizer superheat should be checked to assure proper economizer operation and motor cooling. Correct superheat setting is approx. 10 - 12°F (6 - 7°C).

The superheat is calculated as the difference between the pressure at the Economizer Service Valve on the compressor converted to the corresponding temperature in a standard pressure/temperature chart and temperature of the gas at the bulb on the entering piping to the motor housing.

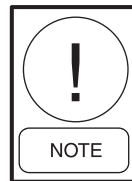
Example:

$$\begin{array}{r} \text{Motor Gas Temp} = 90^{\circ}\text{F} \quad (32^{\circ}\text{C}) \\ \text{minus Economizer Press} \\ \text{139 PSIG converted} \\ \text{to Temp} \quad - 78^{\circ}\text{F} \quad (26^{\circ}\text{C}) \\ \hline 12^{\circ}\text{F} \quad (6^{\circ}\text{C}) \end{array}$$

Normally, the thermal expansion valve need not be adjusted in the field. If however, adjustment needs to be made, the expansion valve adjusting screw should be turned not more than one turn at a time, allowing sufficient time (approximately 15 minutes) between adjustments for the system and the thermal expansion valve to respond and settle out. Assure that superheat is set between 10 - 12°F (6 - 7°C).

- 1. Record the motor gas temperature, economizer pressure, economizer pressure converted to temperature, and economizer superheat below:

	SYS 1	SYS 2		
Economizer Press =	_____	_____	PSIG	(kPa)
Economizer Temp =	_____	_____	°F	(°C)
Economizer Press Converted to Temp =	_____	_____	°F	(°C)
Superheat =	_____	_____	°F	(°C)



This superheat should only be checked in an ambient above 90°F (32°C). Otherwise, mid-range adjustment (factory setting) is acceptable. Below 90°F (32°C) ambient, the economizer will not provide additional subcooling.

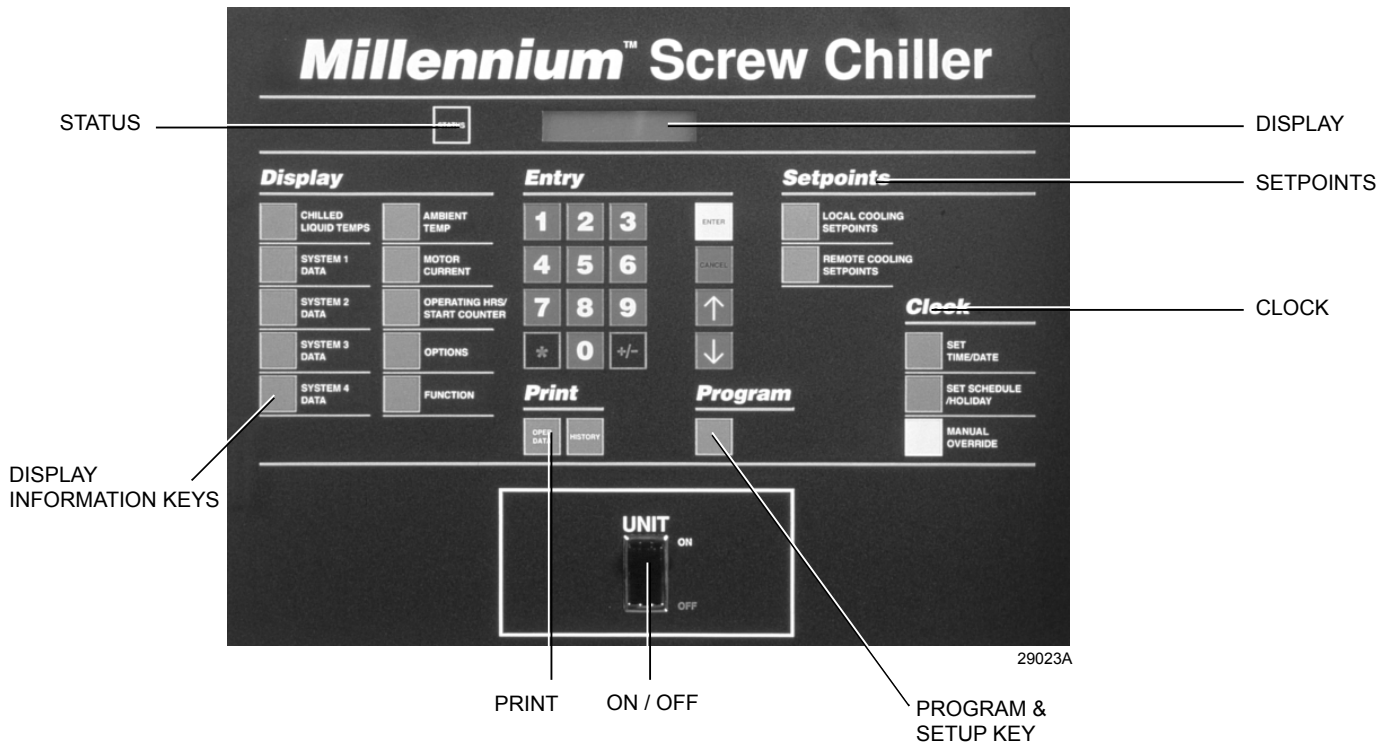
LEAK CHECKING

- 1. Leak check compressors, fittings, and piping to assure no leaks.

If the unit is functioning satisfactorily during the initial operating period, no safeties trip and the compressors load and unload to control water temperature, the chiller is ready to be placed into operation.

This page intentionally left blank.

CHILLER CONTROL PANEL PROGRAMMING AND DATA ACCESS KEYS



DISPLAY AND STATUS INFORMATION KEYS

Status Key - see Section 2

This key provides a display of the current operational and/or fault status of the chiller or individual refrigerant systems.

Display Keys - see Section 3

Each key provides a real time display of commonly required information about the chiller and individual system operating conditions and settings.

Print Keys - see Section 4

These keys allow control panel display or remote printout of both current real-time operating and programmed data as well as fault history data from recent safety shutdowns.

ON / OFF ROCKER SWITCH

This switch shuts down the entire chiller when placed in the OFF position. The switch must be ON for the chiller to operate.

The systems will not pump down at shutdown when the UNIT switch is switched off.

PROGRAM & SETUP KEYS

Entry Keys - see Section 5

The numeric and associated keys are used for entering data required for programming the chiller. The ENTER and $\uparrow\downarrow$ keys are also used for scrolling through information available after pressing certain keys.

Setpoints Keys - see Section 6

These keys are used for display and programming of the local and remote offset chilled liquid temperature setpoints.

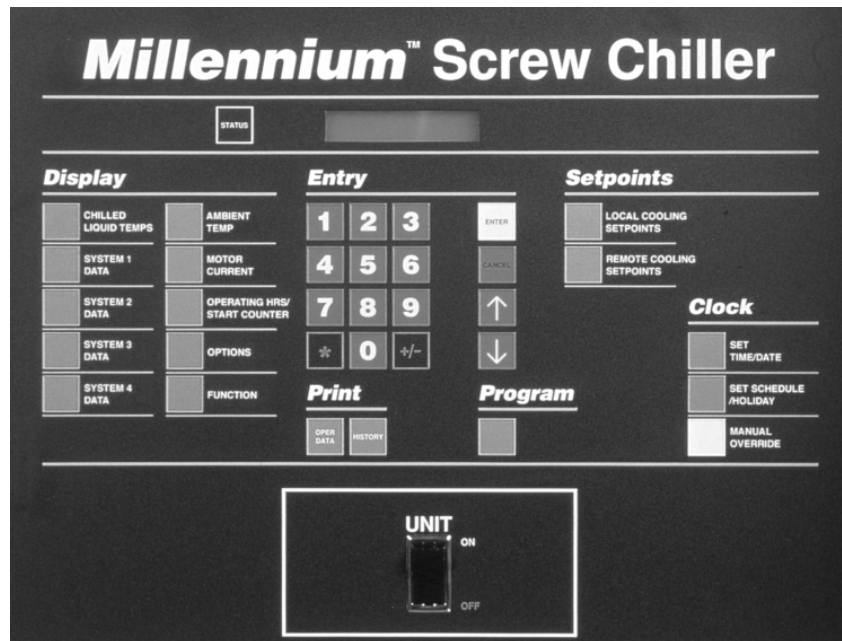
Clock Keys - see Section 7

These keys are used for display and programming of the clock and operating schedule for the chiller.

Program Key - see Section 8

This key is used for display and programming of the chiller operational settings and limits.

1. INTRODUCTION & PHYSICAL DESCRIPTION



29023A

1.1 GENERAL

The YORK Screw Chiller Control Panel is a microprocessor based control system fitted to YCAS liquid chillers. It is capable of multi-refrigerant system control to maintain chilled liquid temperature within programmed limits and to provide safety control of the chiller. The microprocessor monitors leaving chilled liquid temperature deviation from setpoint and the rate of change of this temperature to start, stop, load and unload compressors as required.

User interface is via a touch keypad and a liquid crystal display allowing access to operating and programmed data. Information can be displayed in English (Imperial) units or SI (Metric) units (Section 8.1). Conversion tables are provided at the back of this manual.

A master ON/OFF rocker switch is provided on the chiller control panel to activate or deactivate the complete chiller, while switches to activate or deactivate individual refrigerant systems are provided on the Microprocessor Board.

External interface is available for control of the chiller via a YORK ISN System or YORK Remote Control Center. In addition, EMS/BAS System connections are

provided for remote cycling, current limiting, remote temperature setpoint reset and alarm annunciation.

YCAS chillers each have a single split circuit evaporator serving 2 independent refrigerant systems. YCAS 2 system chillers are configured as a single self contained section with a single control panel controlling the two refrigerant systems.

1.2 KEYPAD & DISPLAY

An operator keypad allows complete control of the chiller from a central location. The keypad offers a multitude of commands available to access displays, program setpoints, and initiate system commands. Keys are grouped and color coded for clarity and ease of use.

A 40 Character Liquid Crystal Display (2 lines of 20 characters) is used for displaying system parameters and operator messages. The display has a lighted background for night viewing as well as a special feature which intensifies the display for viewing in direct sunlight.

Displays will be updated every two seconds by the microprocessor.

1.3 UNIT (CHILLER) ON / OFF SWITCH

A master UNIT (Chiller) ON / OFF switch is located just below the keypad. This switch allows the operator to turn the entire chiller OFF, if desired. The switch must be placed in the ON position for the chiller to operate. Any time the switch is in the OFF position, a Status message indication will be displayed. See page 122 for the location of this switch.

1.4 MICROPROCESSOR BOARD

The Microprocessor Board controls and makes decisions for the chiller. Information inputs from transducers and sensors around the chiller are either connected directly to the Microprocessor Board or are connected to the I/O Expansion Board and multiplexed before being sent to the Microprocessor Board. The Microprocessor Board circuitry multiplexes all of these analog inputs, digitizes them, and constantly scans them to monitor chiller operating conditions. Based on this information, the Microprocessor issues commands to the Relay Boards to activate and deactivate contactors, solenoids, etc. for chilled liquid, operating control, and safety control.

Commands are sent from the Microprocessor Board to the I/O Expansion Board to control the slide valves for chilled liquid control.

Keypad commands are acted upon by the micro to change setpoints, cutouts, scheduling, operating requirements, and to provide displays.

A +12VDC REG supply voltage from the Power Supply Board is converted to +5V REG by a voltage regulator located on the Microprocessor Board. This voltage is used to operate the integrated circuitry on the board.

System Switches 1 - 4

System Switches for each system are located on the Microprocessor Board (Section 1.11, Item 5). These switches allow the operator to selectively turn a given system on or off as desired.

Internal Clock & Memory Backup Battery

The Microprocessor Board contains a Real Time Clock integrated circuit chip (Section 1.11, Item 2) with an internal battery backup. The battery backup assures that any programmed values (setpoints, clock, cutouts, etc.) are not lost during a power failure or shutdown period regardless of the time involved.

The battery is a 10 year lithium type, but life will depend upon whether the Real Time Clock's internal clock

circuit is energized. With the clock OFF, a rated life of approximately 10 years can be expected. With the clock ON, approximately 5 years. The clock is enabled and disabled using a jumper on the microprocessor board.

If the chiller is shut down or power failure is expected for extended periods, it may be desirable to disable the clock to save battery life. The clock can then be reactivated and reprogrammed when the chiller is returned to service. This will not affect the maintenance of programmed values and stored data by the backup battery.

While a chiller is operating, the clock must be ON (Section 1.11, Item 1) or the internal clock on the microprocessor will not be active and the micro cannot keep track of time, although all other functions will operate normally. Failure to turn the Clock ON could result in the chiller not starting due to the time "frozen" on the clock falling outside the Start/Stop time programmed in the Daily Schedule, see Section 7.3.

1.5 ANCILLARY CIRCUIT BOARDS

Power Supply Board

The on-board switching power supply is fuse protected and converts 24VAC from the logic transformer 2T to +12V REG which is supplied to the Microprocessor Board, Relay Output Boards, and the 40 character display to operate the integrated circuitry.

24VAC is filtered, but not regulated, to provide unregulated +24VDC to supply the flow switch, PWM remote temperature reset, PWM remote current reset, lead / lag select, and remote print circuitry which may be utilized with user supplied contacts.

24VAC is also filtered and regulated to +24VDC to be used by the optional EMS/BAS Circuit Boards for remote temperature or remote current reset.

I/O Expansion Board

The I/O Expansion Board provides multiplexing to allow additional inputs to be connected to the Microprocessor Board via a single data line. The additional inputs are multiplexed according to the selection made by the Microprocessor through address lines.

Signals routed through the I/O Expansion Board include Discharge Temperature, Motor Protector Current Transformer outputs (motor current signals from the 2ACE Module), and Oil Temperature.

Included on the I/O Expansion Board are the outputs for the slide valve control. This control consists of a Digital to Analog Converter (DAC) and power transistors to modulate current through the slide valve solenoids.

Relay Output Boards

One Relay Output Board per system operates the motor contactors/starters, solenoid valves, and heaters which control system operation.

The relay boards are located in the logic section of the control panel(s). The boards convert 0 - 12VDC logic levels outputs from the Microprocessor Board to 115VAC levels used by the contactors, valves, etc.

The common side of all relays on the Relay Output Board is connected to +12VDC REG. The open collector outputs of the Microprocessor Board energize the DC relays or triacs by pulling the other side of the relay coil/triac to 0VDC. When not energized, both sides of the relay coils or triacs will be at +12VDC potential.

1.6 CIRCUIT BREAKERS

Three Circuit Breakers are provided for the 115VAC controls.

- CB1 allows removal of control power from System 1 for control system circuitry servicing: specifically, the 115VAC feed to Relay Output Board 1 which energizes contactors, solenoids, and system #1 compressor heater.
- CB2 allows removal of control power from System 2 for control system circuitry servicing: specifically, the 115VAC feed to Relay Output Board 2 which energizes contactors, solenoids, and system #2 compressor heater.
- CB3 allows removal of control power to the Microprocessor Board, Power Supply Board, I/O Expansion Board, and Evaporator Heater.



The Circuit Breakers remove 115VAC control power only. High voltage circuitry will still be energized from the high voltage supply.



REMOVING 115VAC power to CB3 or opening CB3 removes power from the evaporator heaters. This could cause evaporator freeze-up in low ambient temperatures. Removing power from or opening CB1 or CB2 removes power from the respective compressor heater and should be avoided.

1.8 TRANSFORMERS

3 Transformers (2T, 3T, and 4T) are located in the Control Panel. These transformers convert the 115VAC Control Power Input to 24VAC to operate the microprocessor circuitry.

- 2T: This 75VA transformer supplies the 24VAC to the power supply board.
- 3T: Supplies the I/O Expansion Board # 1 voltage for slide valve control.
- 4T: Supplies 24VAC power to the 2ACE Motor Protector Modules.

1.9 MOTOR PROTECTION MODULES

A Motor Protection Module for each compressor is located in the Control Panel. These modules supply motor over-temperature protection, 3-phase current protection, phase imbalance, phase rotation, and a 7 segment display for use when programming or troubleshooting.

The motor over-temperature protection is supplied by 3 temperature sensors imbedded in the motor windings 120 degrees apart. The module monitors these sensors, allowing it to sense a hot winding and shut down the compressor if motor cooling is inadequate.

The on-board C.T.s provide 3-phase current protection. The C.T.s look at current on each phase of power to the motor and send an analog signal proportional to average motor current to the I/O Expansion board and on to the microprocessor board for microprocessor low/high current protection and current display. This allows the micro to monitor current and shut a system down if low or high motor current is sensed. This is a non-adjustable protection circuit electronically sized to a system's motor specifications.

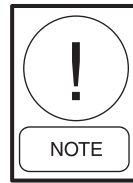
Internally, the (3) on-board C.T.s and internal circuitry allow the Motor Protection Module to protect against high motor current as programmed on the Motor Protector dip switches. These switches are set at the factory according to motor specifications.

The module also provides phase rotation protection to assure the screw compressor does not rotate backwards. A single phase protection circuit located in the module also monitors for a phase imbalance. If phase to phase current imbalance exceeds the 17-25% average imbalance thresholds internally set in the module, the Motor Protector will shut the system down.

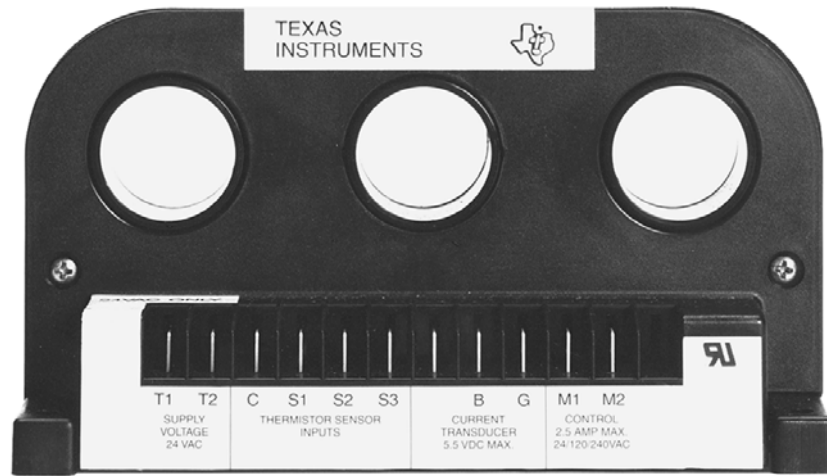
Whenever the Motor Protection Module senses a fault, internal contacts M1-M2 will open, and shut the system down. These contacts are wired in series with the compressor motor contactor. When the contacts open, the micro will attempt to start the system 2 more times. Since the motor contactor signal path from the Relay Output Board to the motor contactor is broken by the Motor Protection Module contacts, it will lock the system out after 3 faults. The Motor Protection Module must then be reset by removing 115VAC power from the Control Panel using CB3. After the Motor Protector is reset, the individual system SYS switch (S2-S5) must be switched OFF and then ON to reset the microprocessor to allow restart of the system.



Always review the data in the history buffer when faults occur. Since the Micro attempts to restart 2 more times and fails to restart with the M1-M2 contacts open, the Micro will record the last 2 faults of "Low Curr/MP/HP". Hence, the third (3rd) history buffer will show data related to the true cause. See page 142 for additional fault data.

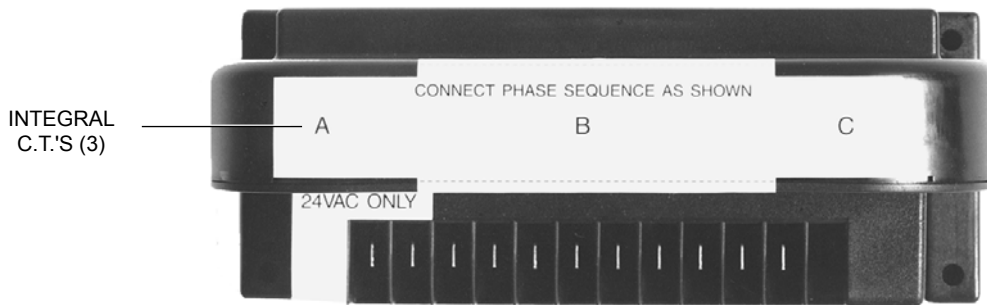


Anytime the module faults, a thorough investigation of the problem should be performed before attempting to return the system to operation. Failure to perform this investigation could lead to motor or compressor failure. Always record the number displayed on the module display before removing power. Additional details on the Motor Protection Module can be found on page 16.



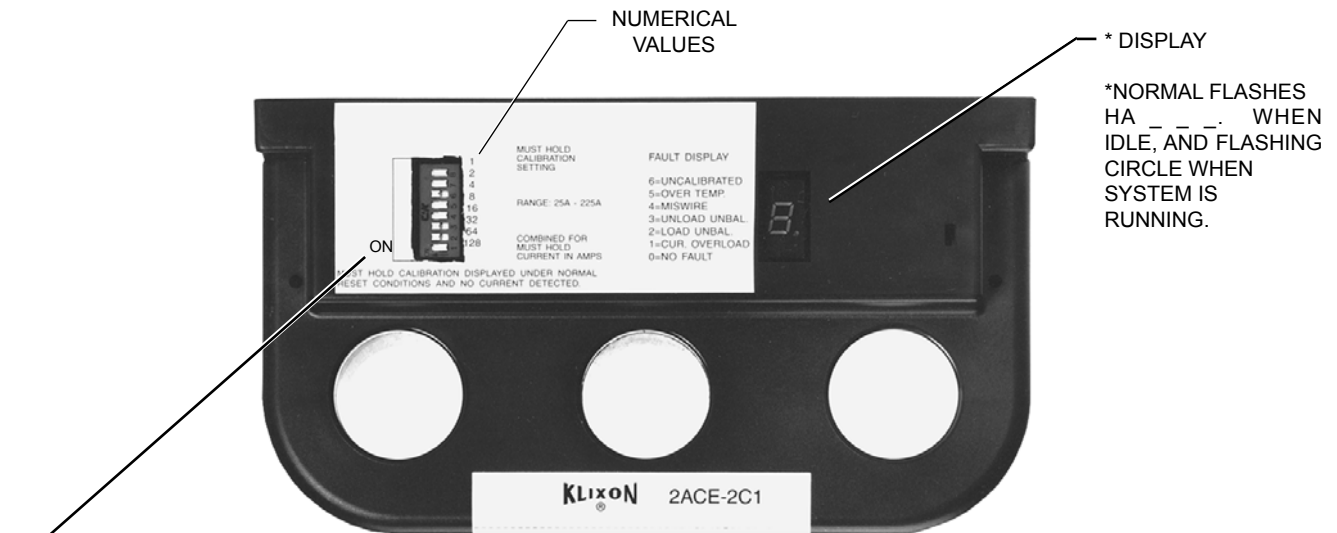
SIDE VIEW

29119A



TOP VIEW

29121A



SIDE VIEW

29120A

SWITCH PUSHED TO LEFT INDICATES ON.

SWITCHES PLACED IN THE ON POSITION ADD TO EQUAL THE OVERLOAD SETTING VALUE.

FOR EXAMPLE, WITH 2 ON AND 128 ON, DISPLAY WILL FLASH HA130.

FIG. 45 – MOTOR PROTECTION MODULE

1.10 EMS/BAS CONTROLS

The microprocessor system can accept remote signals to Start/Stop the chiller, adjust maximum allowable running current for each compressor, and adjust the chilled liquid leaving temperature setpoint. These functions can easily be controlled by connecting user supplied “dry” contacts to terminals in the control panel.

Remote Start/Stop

Remote Start/Stop can be accomplished using a time clock, manual contact or other “dry” contact in series with the flow switch which is connected to Terminals 13 and 14 in the logic section of the control panel. The contact must be closed to allow the chiller to run. Any time this contact opens, the chiller will shut down and the NO RUN PERM message will be displayed. The location of the flow switch connection is shown in Section 1.12.



Never bypass a flow switch. This will cause damage to the chiller and void any warranties.



Wiring from remote “dry” contacts (for stop/start and reset functions) should not exceed 25 ft. (8 m) and should be run in grounded conduit that does not carry any wiring other than control wiring or shielded cable. If an inductive device (relay, contactor) is supplying these contacts, the coil of the device must be suppressed with a suppressor YORK Part Number 031-00808-000 across the inductive coil.

Remote Current Reset

The maximum allowable running current for each compressor can be adjusted remotely to a lower value using repeated timed closure of “dry” contacts connected to Terminals 13 and 16 located in the logic section of the control panel (See Section 1.12). The duration of the contact closure will determine the amount of adjustment. Generally, this input is used for purposes of demand limit and operates as follows:

Closing the input contact for a defined period of time allows reset of the % Current Limit downward. Contact closure of 1 - 11 seconds will allow % Current Limiting to be adjusted downward from 105% by a maximum of 75%, i.e. to a minimum value of 30% FLA. EMS Current Limiting operates independently of the High Average Current Unload (See Section 8.2). The micro will always look at the two Current Limit Setpoints and choose the lower as the controlling value, whenever Remote Current Limiting is utilized. Contact closures of less than 1 second will be ignored. A closure of 11 seconds is the maximum allowable closure and provides a Current Limit reduction of 75%. The remote reset current can be calculated as follows:

REMOTE
 RESET = 105% FLA - $\frac{\{(\text{Contact Closed Time} - 1\text{sec}) \times (75\% \text{FLA})\}}{10 \text{ sec}}$
 CURRENT

For example, after a 4 second pulse, the offset would equal:

$$\begin{aligned} \text{Remote Reset Curr} &= 105\% \text{ FLA} - \frac{\{(4\text{sec} - 1 \text{sec}) \times (75\% \text{FLA})\}}{10 \text{ sec}} \\ &= 105\% - \frac{225\% \text{FLA} \text{sec}}{10 \text{ sec}} \\ &= 82.5\% \text{ FLA} \end{aligned}$$

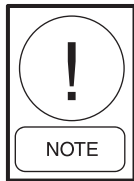
To maintain a given offset, the contact closure signal must be repeated (refreshed) every 30 seconds - 30 minutes. The refresh is not accerted sooner than 30 seconds from the end of the last PWM signal, but must be refreshed before 30 minutes has elapsed. After 30 minutes, if no refresh is provided, the setpoint will change back to its original value.



After an offset signal, the new Remote Current Limit may be viewed on the EMS current Limiting Display under the Motor Current Key (see Section 3.5). However, if this display is being viewed when the reset pulse occurs, the setpoint will not change on the display. To view the new offset, first press any other display key on the keypad and then press the Motor Current Key.



Remote EMS Reset will not operate when a Remote Control Center Option Kit is connected to the micro. The Remote Control Center will always determine the setpoint.



Wiring from remote “dry” contact (for reset functions) should not exceed 25 ft. (8 m) and should be run in grounded conduit that does not carry any wiring other than control wiring or shielded cable. If an inductive device (relay, contactor) is supplying these contacts, the coil of the device must be suppressed with a suppressor YORK Part Number 031-00808-000 across the inductive coil.



Remote Current Reset must never be used to control temperature. These contacts are to be used only for periodic demand limiting purposes.

Remote Setpoint Temperature Reset

The chilled liquid leaving temperature setpoint programmed into the micro can be remotely adjusted to a higher value using repeated timed closure of “dry” contacts connected to Terminals 13 and 17 of TB4 located in the logic section of the control panel (See Section 8.1.12). The duration of the contact closure will determine the amount of adjustment. This is achieved as follows:

The maximum allowable reset value can be programmed from 2°F - 40°F (1°C - 22°C), as appropriate to the application - see Section 6.4. Once the maximum reset is programmed, an input contact closure of 11 seconds provides the maximum reset. Closure for less than 11 seconds will provide a smaller reset. For noise immunity, the micro will ignore closures of less than 1 second. To compute the necessary contact closure time to provide a required Reset, use the following steps:

$$\text{Reset Temp Offset} = \frac{(\text{Contact Closure} - 1\text{sec}) \times \text{Programmed Max Reset}}{10 \text{ sec}}$$

For example, with a programmed setpoint of 44°F (7°C), after a 4 second pulse and a programmed maximum offset of 40°F (22°C), the temperature offset would equal:

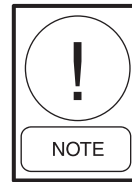
$$\text{Reset Temp} = \frac{(4 \text{ sec} - 1 \text{ sec}) \times 40^\circ\text{F}}{10 \text{ sec}}$$

$$\begin{aligned} \text{Reset Temp} &= \frac{120^\circ\text{Fsec}}{10 \text{ sec}} \\ &= 12^\circ\text{F} (6^\circ\text{C}) \end{aligned}$$

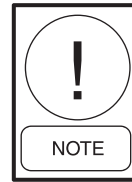
To determine the new setpoint, add the reset to the setpoint programmed into memory. In the example above, if the programmed setpoint = 44°F (7°C), **the**

new setpoint after the 4 second contact closure would be 44°F (7°C) + 12°F (6°C) = 56°F (13°C). This new setpoint can be viewed on the display by pressing the Remote Reset Temperature/Range key.

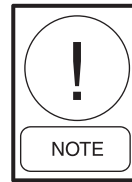
To maintain a given offset, the contact closure signal must be repeated (refreshed) every 30 seconds - 30 minutes. The refresh is not accepted sooner than 30 seconds from the end of the last PWM signal, but must be refreshed before 30 minutes has elapsed. After 30 minutes, if no refresh is provided, the setpoint will change back to its original value.



After an offset signal, the new Remote Setpoint may be viewed by pressing the Remote Coding Setpoint Key. However, if this display is being viewed when the reset pulse occurs, the setpoint will not change on the display. To view the new offset, first press any other display key on the keypad and then press the Remote Cooling Setpoint Range key. The new setpoint will then appear.



Remote Setpoint Reset will not operate when a Remote Control Center Option Kit is connected to the Micro. The Remote Control Center will always determine the setpoint.

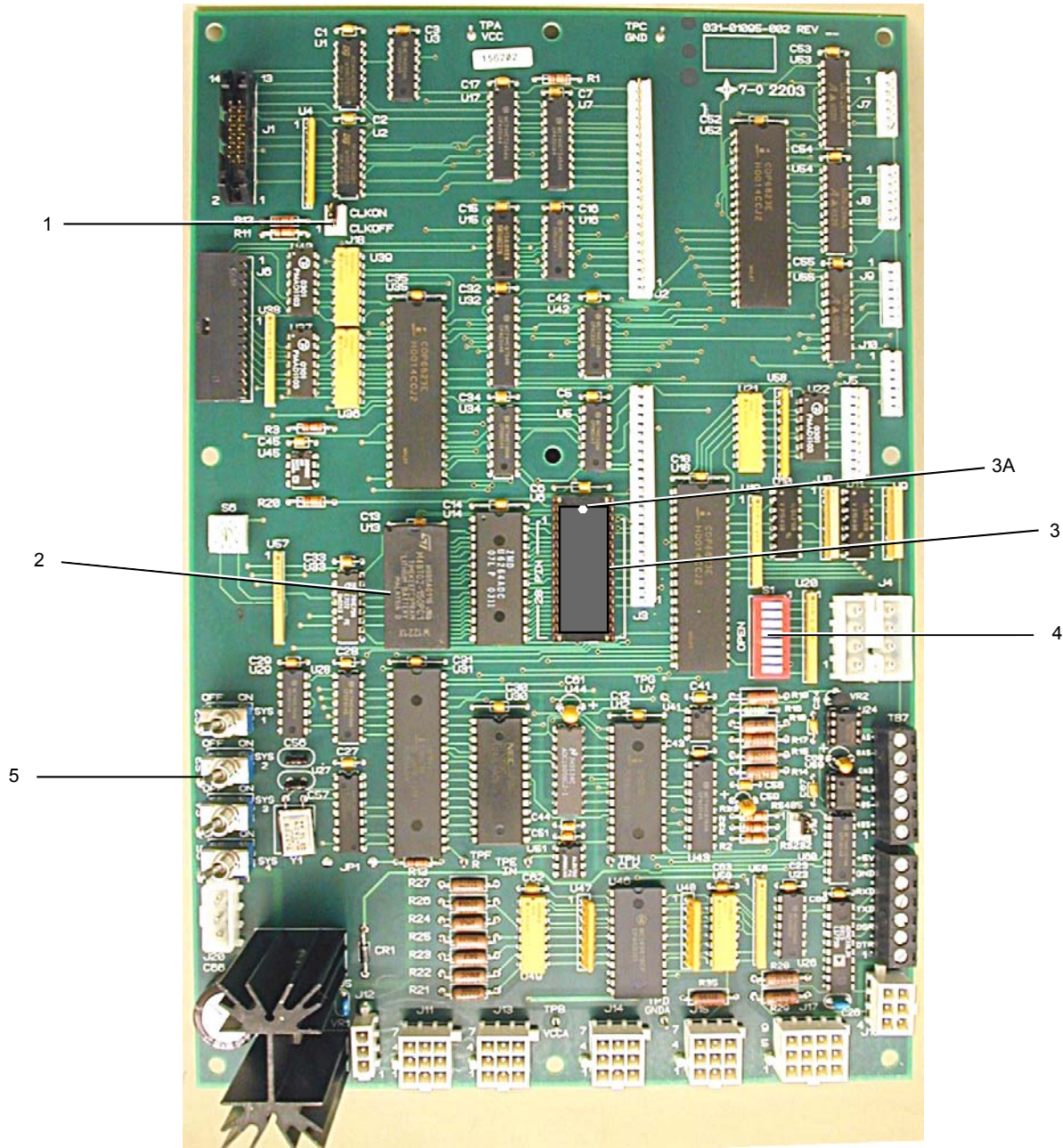


Wiring from remote “dry” contact (for reset functions) should not exceed 25 ft. (8 m) and should be run in grounded conduit that does not carry any wiring other than control wiring or shielded cable. If an inductive device (relay, contactor) is supplying these contacts, the coil of the device must be suppressed with a suppressor YORK Part Number 031-00808-000 across the inductive coil.



Remote Setpoint Reset must never be used to control temperature. These contacts are to be used only for occasional temperature setback due to outside ambient, changes in building occupancy, or ice storage.

1.11 MICROPROCESSOR BOARD LAYOUT



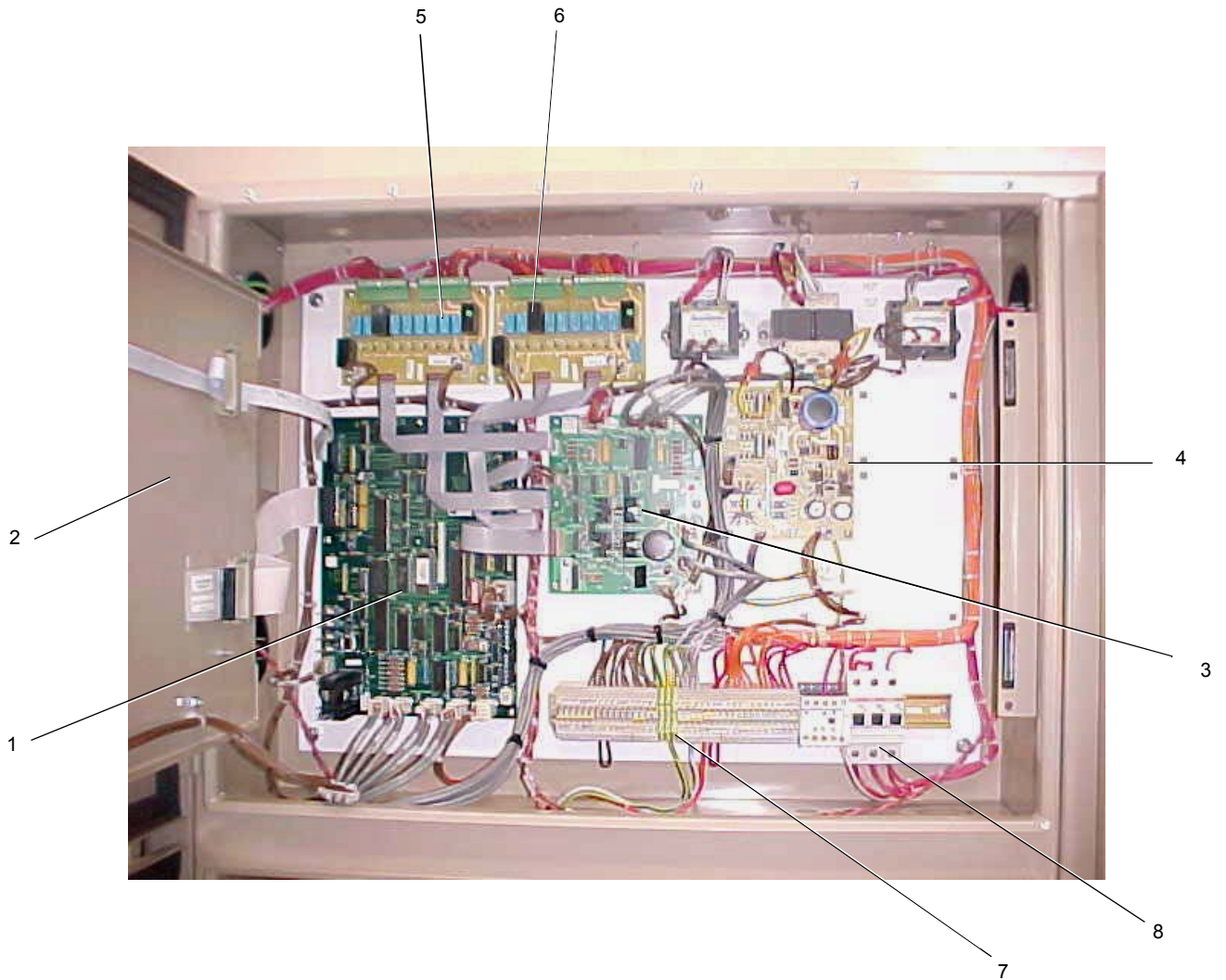
028979-G

ITEM	DESIGNATION	DESCRIPTION
1	J18	Clock Enable/Disable Jump Contact
2	RTC (U13)	Real Time Clock and Battery Backup I.C.
3	EPROM	Microprocessor I.C. (label shows version) <i>NOTE : Dimple is positioned at top edge (3A)</i>
4	S1	Dip Switch Set (8 switches)
5	S2 to S5	System Switches S2 = System 1 S3 = System 2 S4 = System 3 S5 = System 4

FIG. 46 – COMPONENT LAYOUT

1.12 LOGIC SECTION LAYOUT

60 Hz Models :



028980-G

60 HZ MODEL LOGIC SECTION

ITEM	DESCRIPTION
1	Microprocessor Board
2	Back of Keypad
3	I/O Expansion Board # 1
4	Power Supply Board
5	Relay Output Board #1
6	Relay Output Board #2
7	Flow Switch & Customer Connection Terminals (TB4)
8	Circuit Breakers (115V)

FIG. 47 – LOGIC SECTION LAYOUT

1.13 ANTI-RECYCLE TIMER

The programmable Anti-Recycle Timer allows the user to select the compressor anti-recycle time to best suit their needs. Motor heating is a result of inrush current when the motor is started. This heat must be dissipated before another start takes place or motor damage may result. The anti-recycle timer assures that the motor has sufficient time to cool before it is restarted.

An adjustable timer allows for the motor cooling, but gives the user the ability to extend the anti-recycle timer to cut down on cycling. In some applications, faster compressor start response is necessary and shorter anti-recycle times are required. These needs should be kept in mind, but whenever possible the timer should be adjusted for the longest period of time tolerable. 600 seconds is recommended, although 300 seconds provides adequate motor cooling time. Longer periods will allow more heat dissipation, reduce cycling, and possibly increase motor life. See Section 8.2, page 166 for programming of the anti-recycle timer.

1.14 ANTI-COINCIDENCE TIMER

The Anti-Coincidence Timer assures that 2 systems do not start simultaneously. This assures that inrush current is kept to a minimum. A 60 second time delay will always separate motor starts. This timer is not programmable.

1.15 EVAPORATOR PUMP CONTROL

Dry contacts are provided which transition (close) when the Daily Schedule is calling for chiller operation, the unit switch is on, and power has been applied to the Micro Panel for 30 seconds. If for some reason the evaporator pump contacts have been closed to run the pump and a power loss or Daily Schedule shuts the pump down (contacts open), the contacts will not reclose for any reason until 30 seconds has elapsed after power re-application or 30 seconds have elapsed between a Daily Schedule shutdown and restart.

If the Daily Schedule is not used, (On/Off times equal 00:00) the contacts will be closed at all times.

1.16 COMPRESSOR HEATER CONTROL

Each compressor has its own heater. The heater will be off whenever the compressor is running. As soon as the compressor shuts off, the heater will turn on and stay on for 5 minutes. After 5 minutes has elapsed, the heater will shut off if the discharge temperature rises above 150 °F (66°C) and will turn on when the discharge temperature is equal to or less than 150 °F (66°C).

1.17 EVAPORATOR HEATER CONTROL

The evaporator heater is controlled by ambient temperature. When the ambient temperature drops below 40°F (4°C), the heater is turned on when the compressors are turned off. When the temperature rises above 45°F (7°C), the heater is turned off. An under voltage condition will keep the heater off until full voltage is restored to the system. The heater will provide freeze protection to -20°F (-28°C).



115VAC power must remain "ON" through CB3 for freeze protection. Otherwise, the evaporator must be drained.

1.18 PUMPDOWN (EEV) CONTROL

Each compressor undergoes a pump down on shutdown. This assures that liquid refrigerant does not enter the compressor on start-up, eliminating the need for recycling pump down, saving energy and reducing compressor starts and wear.

On start-up, the controls unload the compressor and immediately energize the pilot solenoid on the electronic expansion valve. Normal operation commences without pumpdown.

On shutdown, the microprocessor controls unload the compressor, the pilot solenoid on the electronic expansion valve is de-energized, and the Economizer Liquid Supply Solenoid Valve is de-energized. The compressor continues to operate until it either pumps down to the

Remote evaporator applications equipped with thermostatic TXV and Liquid Line solenoid will also pump down on shutdown.

low suction pressure cutout setting or for 180 seconds, whichever comes first. Pump down occurs on “normal” shutdowns where cooling demand has been satisfied or when a system switch is turned off, a flow switch opens, run permissive is lost or a Daily Schedule or a Remote Shutdown is called for.

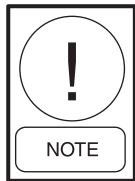
No pumpdown will occur on a safety shutdown. See page 138 for the pumpdown display message.

1.19 ALARMS

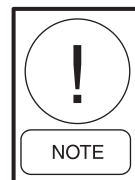
Internal contacts are provided in the Micro Panel (See Section 1.12) which can be used to remotely signal a warning whenever a fault lockout occurs on any system or if power is lost to the control panel. The internal contacts are normally open (N.O.) and will close when control power is applied to the panel, if no fault conditions are present. When a fault occurs which locks out a system, the respective contacts open. If chiller power is lost or a unit fault occurs, such as a Low Water Temp fault, contacts for all systems will open.

Contacts for SYS 1 are located on the bottom right of the microprocessor panel, terminals 23 and 24. SYS 2 contacts are located on terminals 27 and 28. See Fig. 11, Page 38 for the location of these terminals.

A 28VDC or 120VAC (60 Hz models) or up to 240VAC (50 Hz models) external alarm circuit (supplied by others) may be connected to these contacts. The contacts are rated at 125VA.



If any inductive load devices (relay or contactor) supplied by the user are in the electrical circuit connected to the dry alarm contacts, the device must be suppressed at the load with a RC suppressor YORK Part Number 031-00808-000 across the inductive coil. Failure to install suppressors will result in nuisance faults and possible damage to the chiller.



If the alarm circuit is applied in an application used for critical duty (such as process duty or cooling other critical equipment) and the alarm circuit should fail to function, YORK will not be liable for damages.

1.20 RUN STATUS (CHILLER)

Internal Chiller Run Status contacts between Terminal 28 and 29 close whenever one of the systems is running. These contacts are located on the bottom right of the Microprocessor Board and are rated (voltage and current) the same as the alarm contacts (Section 1.19). Also use a suppressor, same as alarm contacts (Section 1.19). Individual system “Run Status” contacts are not available.

1.21 LEAD / LAG COMPRESSOR SELECTION

The chiller may be set up for AUTO or MANUAL Lead/Lag. This is accomplished by programming the option under the Program Key. Details for programming the Manual/Auto Lead/Lag Selection are discussed in Program Key Section 8, page 169.

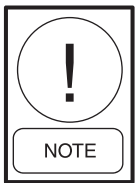
When AUTO Lead/Lag is utilized, the micro attempts to balance run time between the two compressors. A number of conditions can occur which will prevent this from happening. Factors determining lead/lag selection and the resulting lead/lag determination are:

1. The micro automatically defaults the lead to SYS 1 and the lag to SYS 2 if both compressors are ready to start (Anti-recycle Timers timed out) and compressors have equal run time.
2. If all compressors are ready to start (Anti-recycle timers timed out), the compressor with the lowest run hours will start first.
3. If all compressors are waiting to start (Anti-recycle timers have not timed out), the micro will assign the lead to the compressor with the shortest anti-recycle time in an effort to provide cooling quickly.
4. If the lead compressor is locked out, faulted and waiting to restart, SYS switch on the microboard is off, or a run permissive is keeping an individual system from running, the lag compressor is swapped to the lead. This is true regardless of whether the lag compressor is ON or OFF.

MANUAL Lead/Lag selection will be automatically overridden by the micro to allow the lag compressor to automatically become the lead anytime the selected lead compressor shuts down due to a lock-out, lead system faults and is waiting to restart, system switch on the micro board is in the OFF position, or if a run permissive is keeping the lead system off. Automatic switch over in MANUAL mode is provided to try to maintain chilled liquid temperature as close to setpoint as possible.

1.22 ECONOMIZER SOLENOID CONTROL

The economizer solenoid is controlled by the micro based on the ability of the economizer to provide extra capacity according to system operating conditions. This ability is primarily based on outside ambient temperature. If the ambient is low with associated low discharge pressure, the economizer will provide very little extra subcooling. At an ambient of 90°F (32°C) or above with associated high discharge pressure, the economizer will begin to provide appreciable additional subcooling. The extra subcooling may be as much as an additional 20°F to 25°F (11.1°C to 13.8°C), often making the total subcooling at the TXV over 40°F (4.4°C).



This should not be confused with subcooling at the liquid valve, which should generally be 12°F to 15°F (6.7°C to 8.3°C). The micro monitors the difference in pressure ratio between the discharge and suction pressure along with the step of unloading to determine economizer solenoid on/off points.

The micro utilizes the formula below to compute pressure ratio:

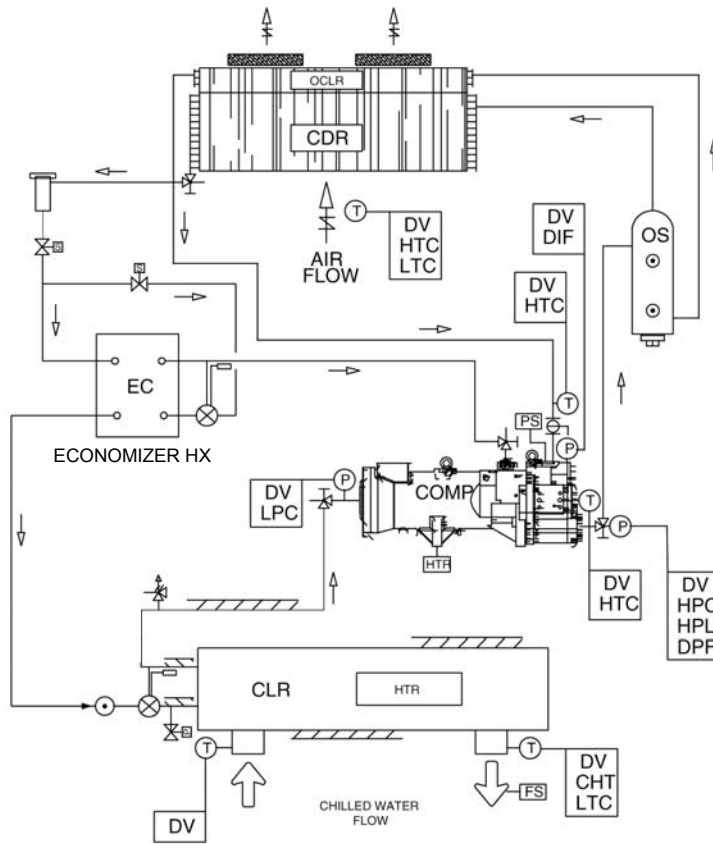
$$PR = \frac{(DP \text{ in PSIG})+14.7}{(SP \text{ in PSIG})+14.7}$$

For the first 3 minutes of operation, the micro will not energize the solenoid. After 3 minutes of operation. If the step of loading is above step 60 and the PR>2.2, the micro energizes the economizer solenoid.

Once on, the solenoid will remain on until the PR<2.0 or the step of loading falls below 50. If the conditions drop below either of these points, the micro will turn off the solenoid.

Economizer cycling is reduced by 2 timers. The timer with the longest remaining time will dictate when the economizer can turn on. The first timer is an "on to on" timer which assures at least 10 minutes elapses from the time the economizer turns on, off, and then on again for a second time. The second timer assures that a minimum of 3 minutes elapses from the time the economizer turns off to the next time it is called to turn on again.

PROCESS AND INSTRUMENTATION DIAGRAM



SYSTEM COMPONENTS

- EXPANSION VALVE, THERMOSTATIC
- SOLENOID VALVE
- BALL VALVE
- RELIEF VALVE
- STOP VALVE ANGLE, ACCESS
- PURGE VALVE
- PLUG
- PRESSURE SENSOR
- TEMPERATURE SENSOR
- REPLACEABLE CORE FILTER DRYER
- SIGHT GLASS
- FLOW SWITCH (option)
- PRESSURE SWITCH
- ELECTRIC HEATER

MICROPROCESSOR CONTROL FUNCTIONS

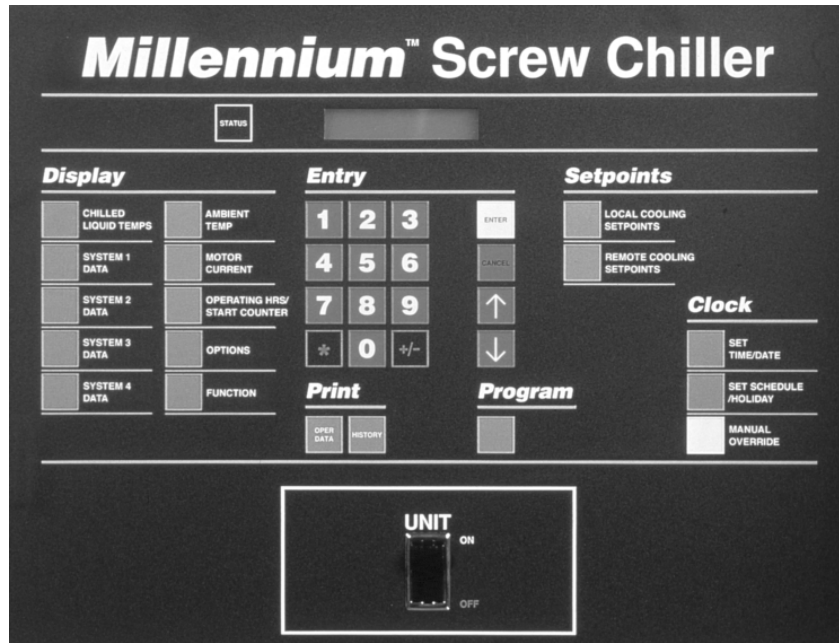
MAJOR COMPONENTS

- COMP COMPRESSOR
- CDR CONDENSER COIL
- CLR COOLER
- EC ECONOMIZER
- OCLR OIL COOLER COIL
- OS OIL SEPARATOR

- CHT CHILLED LIQUID THERMOSTAT
- DIF DIFFERENTIAL PRESSURE CUTOUT
- DFP DISCHARGE PRESSURE FAN CONTROL
- DV DISPLAY VALUE
- HPL HIGH PRESSURE LOAD LIMITING
- HTC HIGH TEMPERATURE CUTOUT
- LPC LOW PRESSURE CUTOUT
- LTC LOW TEMPERATURE CUTOUT
- SHV SUPERHEAT VALVE

FIG. 47A – PROCESS AND INSTRUMENTATION DIAGRAM

2. STATUS KEY: GENERAL STATUS MESSAGES & FAULT WARNINGS



29023A

2.1 GENERAL

Pressing the Status key displays the current chiller or individual system operational status. The messages displayed include running status, cooling demand, fault status, external cycling device status, load limiting, and anti-recycle timer status. The display will show one message relating to the “highest priority” information as determined by the microprocessor.

For individual system status or fault messages, the display shows information for up to two refrigerant systems.

The main categories of messages available using the Status key are:

- 2.2 General Status Messages
- 2.3 Unit Warnings
- 2.4 Anticipation Control Status Messages
- 2.5 Chiller Fault Status Messages
- 2.6 System Fault Status Messages

These messages are described in detail below, with examples of each display. In each example “#” is used as applicable to represent the system number where messages apply to individual systems.

2.2 GENERAL STATUS MESSAGES

Unit Switch OFF:

```
UNIT SWITCH OFF
SHUTDOWN
```

This message indicates that the Chiller ON / OFF Switch on the Control Panel is in the OFF position which will not allow the chiller to run.

Schedule Shutdown:

```
DAILY SCHEDULE
SHUTDOWN
```

This message indicates that the that the chiller has been shut down by the daily schedule programmed into the Clock - Set Schedule / Holiday (Section 7.3).

Remote Controlled Shutdown:

```
REMOTE CONTROLLED
SHUTDOWN
```

This message indicates that either an ISN or RCC (Remote Control Center) has turned the unit OFF through the RS-485 port.

Compressors Running:

```
SYS # COMP RUNNING
SYS # COMP RUNNING
```

This message indicates that the respective compressor is running due to demand.

System Switches OFF:

```

SYS #1 SYS SWITCH OFF
SYS #2 SYS SWITCH OFF

```

This message indicates that the system switch on the Microprocessor Board for the respective system is in the OFF position. A system can only run if the system switch is in the ON position. The switch for System 1 and System 2 should normally be in the ON position for all models. See Section 1.11, Figure 46, page 130 for the location of the system switches.

Anti-Recycle Timers:

```

SYS # AR TIMER 10 S
SYS # AR TIMER 120 S

```

The anti-recycle timer message shows the amount of time remaining before a compressor can be called to restart. The 300 - 600 sec. programmable timers begin timing when a compressor starts, although a minimum of two minutes must always elapse after a compressor shuts down, before it may again restart. If a power failure occurs, the anti-recycle timers will reset to 120 seconds after power is restored. The purpose of the timer is to allow for motor cooling to dissipate the heat generated by inrush current at start-up.

Anti-Coincidence Timers:

```

SYS # COMP RUNNING
SYS # AC TIMER 22 S

```

The anti-coincident timer guards against two or more compressors starting simultaneously. This avoids excessive instantaneous starting currents. A minimum of 60 seconds between compressor starts is maintained even if demand is present and the anti-recycle timers are timed out. The display shows the time before the respective compressor can start. This display will only appear after the anti-recycle timers have timed out.

Run Permissive Contacts OPEN:

```

SYS # NO RUN PERM
SYS # NO RUN PERM

```

This display indicates that an external cycling contact and/or the flow switch connected to terminals 13 & 14 in the Logic Section of the control panel is open. Whenever the contact is open, the No Run Permissive message will be displayed and the indicated system will not run.

System Loading Requirement:

```

SYS # NO COOL LOAD
SYS # NO COOL LOAD

```

This message indicates that chilled liquid temperature is below the point where the microprocessor will bring the lead system on and/or that the loading sequence has not loaded the chiller far enough to bring the lag system on. The lag system will display this message until the loading sequence is ready for the lag system to start.

**MANUAL
OVERRIDE**

If the MANUAL OVERRIDE key is pressed during a scheduled time clock shutdown, the STATUS display will display the MANUAL OVERRIDE message indicating that the schedule is being intentionally overridden. Typically MANUAL OVERRIDE is only used in an emergency. As a result, the message is a priority message and will override other STATUS messages.

2.3 UNIT WARNINGS

Unit Warnings are often caused by conditions which require operator intervention to start the unit or extreme operating conditions. All setpoints and programmable values should be checked, if a chiller shutdown occurred, before restarting the chiller. Unit Warnings are not logged into the HISTORY BUFFER.

Low Battery Warning

```

!! LOW BATTERY !!
CHECK PROG / SETP / TIME

```

On power-up the microprocessor will check the RTC (Real Time Clock) memory back-up battery to make sure it is still operational. Provided the battery checks out, operation will continue normally. If a check is made and the battery has failed, the microprocessor will not allow the chiller to run and the above Status message will appear.



If a low battery condition exists, the micro will restore programmed cut-outs, setpoints, and schedules to their default values.

Once a low battery condition is detected, the only way to run the chiller is to use the Manual Override key - see Section 8.7.4 page 165. This allows reprogramming of setpoints, cutouts, and schedule.

The U13 RTC chip should be replaced as soon as possible with Part # 031-00955-000. Otherwise, the chiller will shutdown and lose all programmed points, and require a MANUAL OVERRIDE restart, if a power failure occurs.

Pump Down:

```
SYS 1 PUMPING DOWN
SYS 2 PUMPING DOWN
```

This message indicates that both refrigerant systems are in a pumpdown cycle. Pumpdown display messages occur on shutdowns where the cooling load has been met, or when a system switch is turned OFF. Note that only one compressor could be pumping down, as shown in the following display:

```
SYS 1 PUMPING DOWN
SYS 2 COMP RUNNING
```

See Section 1.18 (page 132) for details of pumpdown control.

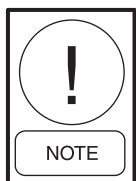
Incorrect Refrigerant Warning:

```
REPROGRAM TYPE OF
REFRIGERANT TO RUN
```

The incorrect Refrigerant Warning will occur if the DIP Switch setting for refrigerant type and the type programmed into the micro “at the factory” under the Service Mode are not the same. This message will be displayed until the non-programmable “factory” programmed refrigerant type and DIP Switch setting agree. See Page 179 for Service Mode programming.

Power Failure Warning:

The Power Failure Warning will only be displayed on “power restoration” after a “power loss,” if manual restart on power failure is selected under the PROGRAM key (page 170). If manual restart on power failure has been selected, the following warning message is displayed indefinitely on power restoration and the chiller will not run until the UNIT Switch is cycled OFF-and-on to restart the unit. This safety is available for users who desire a chiller lock-out on power failure.



This is typically not a desirable feature to select. Most applications require auto-reset after a power failure. Therefore, "Automatic" is typically selected and programmed under the PROGRAM key. See page 170.

```
!! POWER FAILURE !!
CYCLE UNIT SWITCH
```

When this message appears, the chiller will not run and the Unit Switch must be cycled OFF and ON to start the unit.

Incorrect Unit Type Warning:

```
REPROGRAM
UNIT TYPE
```

The incorrect Unit Type Warning will occur if the DIP Switch setting for unit type and the type programmed into the micro "at the factory" are not the same. This message will be displayed until the "factory" programmed unit type and DIP Switch setting agree. See Page 179 for Service Mode Programming.

2.4 ANTICIPATION CONTROL STATUS MESSAGES

Anticipation controls are built into the software to prevent safety shutdowns by automatically overriding the temperature controls, if system conditions approach safety thresholds. This avoids total loss of cooling resulting from a lockout by a safety control.

Anticipation controls monitor discharge pressure, motor current and suction temperature for each compressor and if maximum limits are approached, the slide valve loading of the respective compressor will be reduced to avoid exceeding the limit.

Displays of anticipation safety control messages and their meanings are as follows:

Discharge Pressure Limiting:

```
SYS # DSCH LIMITING
SYS # DSCH LIMITING
```

Discharge Pressure Limiting takes effect when compressor discharge pressure nears the point at which the high pressure cutout would shut the system down. When the above message appears, discharge pressure has exceeded the programmable threshold and the compressor is being unloaded in an effort to prevent shutdown on the high pressure cutout. The operation of this safety is important if condenser coils become dirty, if there is a problem with the condenser fan operation, or if extreme ambient or load conditions occur. See *Anticipatory Unloading Controls Page 161 for detailed operation.*

Compressor Motor Current Limiting:

```

SYS # CURR LIMITING
SYS # CURR LIMITING

```

The Motor Current Limiting message indicates that a compressor motor current has reached a programmable threshold or a BAS current limit threshold, and the system is being unloaded to assure that motor current does not become excessively high causing a fault. See *Anticipatory Unloading Controls Page 161 for detailed operation.*

Suction Temperature Limiting:

```

SYS # SUCT LIMITING
SYS # SUCT LIMITING

```

This message indicates that saturated suction temperature on a system has dropped to 24°F (-4.4°C) in the water cooling mode and that any further temperature reduction could cause some icing of the evaporator tubes. Saturated suction temperature is computed by the micro by converting suction pressure to temperature. See Anticipatory unloading controls page 161 for detailed operation. Suction limiting is not active in the glycol mode.

2.5 UNIT FAULT STATUS MESSAGES

A Unit Fault will shut the entire chiller down when a preset safety threshold is exceeded. The chiller will automatically restart after the condition causing the shutdown clears. Restart will occur only after anti-recycle timers are satisfied and cooling demand requires additional cooling. A reset hysteresis is built into each safety so repetitive faulting and clearing will not occur in a short time period.

Continuous monitoring by the microprocessor assures that instantaneous reaction results. When the chiller is shut down on one of these safeties, a message will appear on the Status display informing the operator of the problem as shown in the text that follows.

Any time that a Unit Fault occurs, the shutdown will be logged into the HISTORY BUFFER.

Low Ambient Temperature Cutout:

```

UNIT FAULT
LOW AMBIENT TEMP

```

The Low Ambient Temperature Safety prevents the chiller from running in very low temperatures which could cause damage due to low system pressures. This feature is programmable and can also be used to shut down the chiller at a temperature where continued run-

ning of the chiller is not economical compared to the use of “free” cooling techniques (see also Section 8.2 / Low Ambient Temperature Cutout [page 168]). The fault will clear when ambient temperature rises 2°F (1°C) above the cut-out.

High Ambient Temperature Cutout:

```

UNIT FAULT
HIGH AMBIENT TEMP

```

The High Ambient Temperature Safety protects the chiller from running in ambients above 130°F (54°C) where potential malfunction of system mechanical and electrical components may result. The High Ambient Cutout is programmable and can be set for lower limit values if required (see also Section 8.2 / High Ambient Temperature Cutout [page 168]). The fault will clear when ambient temperature drops 2°F (1°C) below the cut-out.

Low Leaving Chilled Liquid Temperature Cutout:

```

UNIT FAULT
LOW LIQUID TEMP

```

The Low Liquid Temperature Safety assures that the evaporator is not damaged from freezing due to improperly set control points. It also attempts to protect the chiller from freezing, if the flow switch should fail. However, the flow switch should always be regarded as the primary safety. Whenever the chilled liquid temperature drops below the programmable cutout, the chiller will shut down (see also Section 8.2 / Leaving Water Temperature Cutout, page 168). The chiller fault will clear when temperature rises 4°F (2°C) above the cut-out and cooling demand exists.

115VAC Under Voltage Cut-Out:

```

UNIT FAULT
115VAC UNDER VOLTAGE

```

The Under Voltage Safety assures that the system is not operated at voltages where malfunction of the microprocessor could result in system damage. Whenever the microprocessor senses an on-board control power supply failure while a compressor is running, the chiller is shut down. The microprocessor circuitry is capable of operating at voltages 10% below the nominal 115VAC supply to the panel. Auto-restart of the chiller occurs after a 2 minute start-up timer has elapsed from the time when power is reapplied, if the AUTO RESTART ON POWER FAILURE is enabled. Otherwise the chiller must be manually reset. See Section 8.2 (page 170).

Flow Switch Open:

```
SYS # NO RUN PERM
SYS # NO RUN PERM
```

Closure of the flow switch is monitored to check that flow is present in the evaporator when a compressor is running. Any external cycling devices fitted by the customer are connected in series with the flow switch. YCAS 2 System chillers require a single flow switch wired to the control panel. If the flow switch opens, all systems will shut down and a NO RUN PERM (Permissive) message will be displayed. Closing of the flow switch, when flow is present, will cause the message to disappear and auto-restart to occur.



Never bypass a flow switch. This will cause damage to the chiller and void any warranties.

2.6 SYSTEM FAULT (SAFETY) STATUS MESSAGES

A System Fault will shut the affected system down whenever a preset safety threshold is exceeded for 3 seconds. Automatic restart will occur after the first 2 shutdowns when the anti-recycle timer times out and temperature demand exists. After any combination of 3 Manual Reset Safeties in a 90 minute time period, the affected system will shut down and lock out on the last fault. When one or more systems are shut down on one of these safeties, a message will appear on the Status display informing the operator of the problem.



The High Motor Current Safety is a unique safety which will lock out a system after only a single fault.

To reset a locked out system, turn the System Switch for the affected system to the OFF position, then back to the ON position (see Section 1.11, Page 130, Fig. 46 for switch locations).



Before returning a locked out system to service, a thorough investigation of the cause of the fault should be made. Failure to repair the cause of the fault while manually allowing repetitive restarts may cause further expensive damage to the system.

High Discharge Pressure Cutout:

```
SYS # HIGH DSCH PRES
SYS # HIGH DSCH PRES
```

The Discharge Pressure Safety prevents system pressure from exceeding safe working limits. This safety is a backup for the mechanical High Pressure Cutout in each system. The Discharge Pressure Safety is programmable for a range of values below the system upper limit (see Section 8.2 / Page 166, High Discharge Pressure Cutout for more details).

High Discharge Temperature Cutout:

```
SYS # HIGH DSCH TEMP
SYS # HIGH DSCH TEMP
```

This safety protects the compressor rotors from damage due to overheating, expansion, and breakdown of the oil film seal between the rotors. It also protects against excessive oil temperature in the discharge oil separator.

For the first 4 seconds of operation discharge temperature is ignored. After 4 seconds of operation the compressor will shut down if the discharge temperature exceeds 260°F (127°C).

High Oil Differential Pressure Cutout:

```
SYS # HIGH OIL DIFF
SYS # HIGH OIL DIFF
```

The High Oil Pressure Differential Safety protects the compressors against loss of proper lubrication due to oil line blockage. The “differential oil pressure” for this safety is computed by measuring discharge pressure and subtracting oil pressure returning to the compressor (Discharge - Oil = Oil PSID). Under normal operation, the oil pressure differential display will be less than 25 PSID (1.7 bar), typical 2 - 10 PSID (0.1 to 0.7 bar). If oil pressure at the compressor drops due to filter blockage, the differential pressure on the display will increase and when the maximum limit is reached, the compressor will be shut down.

This safety is activated after 3 minutes of operation. Oil pressure must be less than 65 PSID (4.4 bar) for R22 models as long as the compressor continues to run.

Low Oil Differential Pressure Cutout:

SYS # LOW OIL DIFF
SYS # LOW OIL DIFF

The Low Oil Pressure Differential Safety assures the compressor receives proper lubrication by monitoring the differential between oil pressure returning to the compressor and suction pressure. Lack of a differential indicates that the compressor is not pumping and no oil is being pumped through the compressor to lubricate the bearings and rotors.

This type of oil failure will not be picked up by the High Oil Differential Safety since no flow will cause the differential through the oil piping to drop to zero.

During normal operation, differential oil pressure must be greater than 50 PSID. At start-up, the cut-out is ramped over time according to ambient temperature.

For ambients above 50°F (10°C), the Low Oil Differential Safety is activated after 1 minute of compressor operation when the oil pressure differential must be greater than 10 PSID (.7 bar). After 2 minutes it must be greater than 20 PSID (1.4 bar); after 3 minutes, 30 PSID (2 bar); after 4 minutes, 40 PSID (2.7 bar); and from 5 minutes of operation and onwards, oil pressure must remain higher than 50 PSID (3.4 bar) or the system will be shut down. For lower ambients, the linear ramp times are as follows:

AMBIENT TEMP	RAMP TIME
>50°F (10°C)	5 Minutes
>45°F (7°C)	6 Minutes
>40°F (4°C)	7 Minutes
>35°F (2°C)	8 Minutes
>30°F (-1°C)	9 Minutes
<=30°F (-1°C)	10 Minutes

High Oil Temperature Cutout:

SYS # HIGH OIL TEMP
SYS # HIGH OIL TEMP

This safety assures oil temperature does not exceed a safe operating temperature which affects compressor lubrication. Typical oil temperature during normal operation will be approximately 130 - 150°F (54 - 66°C).

The High Oil Temperature Safety is activated after 2 minutes of compressor operation, after which if oil temperature is above 225°F (107°C) for more than 3 seconds, the compressor will shut down.

Low Suction Pressure Cutout:

SYS # LOW SUCT PRESS
SYS # LOW SUCT PRESS

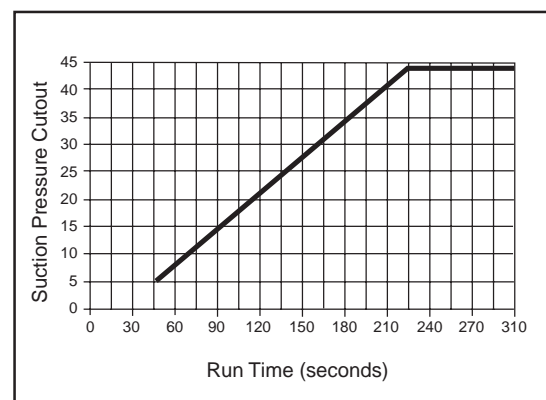
The Low Suction Pressure Cutout aids in protecting the evaporator from damage due to ice build up caused by operation at low refrigerant charge or restricted refrigerant flow. A transient timer feature prevents nuisance trips during start-up, compressor loading, etc. The Low Suction Pressure Safety is programmable (see Section 8.2 / Page 167, Low Suction Pressure Cutout for more details).

The suction pressure cut-out is ignored for the first 45 seconds of operation. During the next 180 seconds of running, suction pressure may be lower than the cutout, but must be greater than:

$$SP \text{ Cutout} = \frac{\text{Programmed Cutout} \times (\text{run Time} - 25)}{200}$$

This cutout value increases with time (10% to 100%) until after 225 seconds it equals the programmed cut-out value. If suction pressure falls below the calculated cutout value before 225 seconds of run time, the system will be shut down.

The following graph shows a typical programmed suction pressure cutout of 44 PSIG (3 bar) and its change from time = 0 sec of compressor run time to 225 seconds of compressor run time.



Suction Pressure Cutout With 44 PSIG Programmed Cutout

LD07013

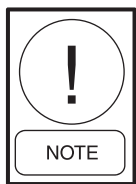
FIG. 48 – SUCTION PRESSURE CUTOUT

After 225 seconds of operation with suction pressure operating above the cut-out, a 30 second transient timer prevents short term fluctuations in suction pressure due to loading or fan cycling from causing shutdown. If suction pressure drops below the cutout point after 225 seconds of operation, the transient timer is activated. While the transient timer is active, suction pressure must not drop below 10% of the cut-out initially programmed and must be greater than:

$$C.O. = \frac{\text{Programmed C.O.} \times (\text{Run Time} - 25)}{200}$$

This transient cutout value increases with time until after 30 seconds it equals the programmed cutout value. If the suction pressure falls below the value as calculated by the formula relative to time, the system will shut down on a low suction pressure fault. If the suction pressure rises above the programmed cutout value, the 30 second timer will be reset.

If the Dip Switch on the microprocessor board is set for "Water Cooling" (see page 146), the cutout is programmable between 44 - 70 PSIG (3-5 bar) for both R-22 and R407C models. In this mode, settings of 44 PSIG (3 bar) for R-22 and R407C are recommended. If the Switch is set for "Brine Cooling" (glycol) the cutout is programmable between 5 - 70 PSIG (0.3 - 5 bar) for R-22 and R407C models. In this mode, the cutout should typically be set to the saturated refrigerant pressure equivalent to 18°F (10°C) below the temperature of the chilled liquid.



The sludge point of the glycol MUST be at least 20°F (11°C) below the equivalent cutout temperature.

S Y S # 1 L O W S U P E R H E A T
S Y S # 2 L O W S U P E R H E A T

The Low Superheat Cutout is to protect the compressor(s) from liquid floodback due to low suction superheat. This safety is ignored for the first 30 seconds of system runtime.

This safety can be triggered by two events. The first is when suction superheat <0.5°F. The second is when the pilot solenoid is closed 10 times in 2 minutes due to low superheat.

S Y S # 1 S E N S O R F A I L U R E
S Y S # 2 S E N S O R F A I L U R E

The Sensor Failure Safety prevents the system from running when the sensors measuring superheat are not functioning properly. This safety is ignored for the first 15 seconds of system runtime.

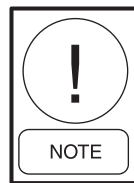
This safety will shut down a system if either suction temperature or suction pressure sensors read out of range high or low. This condition must be present for 3 seconds to cause a system shutdown. The safety locks out a system after the first fault and will not allow automatic restarting.

High Compressor Motor Current Cutout:

S Y S # H I G H M T R C U R R
S Y S # H I G H M T R C U R R

The High Motor Current Safety protects against excessively high motor current and shuts a system down and locks it out after only a single occurrence of a rise in average motor current above the cutout point. Motor current is monitored using 3 Current Transformers (CTs) per motor, one on each phase. The C.T.'s are part of the Motor Protector Module.

Average motor current is monitored after 7 seconds of compressor operation. The system will be shut down if average motor current exceeds 115% FLA. This safety only requires one shutdown to lock out a system.



FLA (full load amps) is approximately 1.08 x RLA (rated load amps). RLA is specified on the motor / chiller nameplate and is typical current demand under rated operating conditions in a fully loaded system. When a system is fully loaded, typical motor currents may be 60 - 85% FLA depending on operating conditions.

Low Motor Current Cutout / Motor Protector (Hi Motor Winding Temp Cutout) / Mechanical High Pressure Cutout / External Motor Overload:

S Y S # L O W C U R R / M P / H P
S Y S # L O W C U R R / M P / H P

The Low Motor Current Safety prevents a compressor motor running with less current than would normally be expected. This may result from loss of refrigerant, a defective contactor, power problems, or from a compressor that is not pumping due to a mechanical malfunction.

Motor current is monitored using 3 Current Transformers (CTs) per motor, one on each phase. The C.T.'s are located in the Motor Protector Module.

Average motor current is monitored after 4 seconds of compressor operation. From this time the system will be shut down if average motor current is less than 10% of FLA.

Compressor Motor Protection Modules, and Mechanical High Pressure Cutouts are integral to each system. All of these devices stop the compressor by removing power from the motor contactor coils. This causes the CTs to obviously sense a zero current draw by the compressor motor and causes a Low Motor Current Fault to be displayed. These devices operate as follows:

The **Motor Protection Module** protects against excessive motor winding temperature by monitoring sensors built into the motor windings. If the temperature becomes excessive, the module will cause power to be removed from the compressor contactors shutting down the compressor. Auto restart will not occur since manual reset by power removal is required. A fault lockout will automatically occur after the micro attempts 2 more starts with the MP contacts open. Manual reset is accomplished by removing 115VAC control power from the micro panel after the motor sensors have sufficient time to cool. Details relating to operation of the Motor Protection Module can be found on page 16.

The **Mechanical High Pressure Cutout** protects against excessive refrigerant discharge pressure and is set to 405 PSIG (28 bar). Auto-restart will be permitted after shutdown on discharge pressure, when the pressure drops below 330 PSIG (23 bar) and the cutout contacts close. A fault lockout will result if safety thresholds are exceeded three times in a 90 minute period.

Low Evaporator Temperature Cutout (R407C Only):

```
S Y S 1 L O W E V A P T E M P
S Y S 2 L O W E V A P T E M P
```

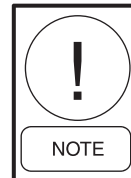
The Low Evaporator Temperature Cutout is to protect the evaporator from freeze-up with R-407C. This safety uses the Evaporator Inlet Refrigerant Temp Sensors to monitor evaporator inlet refrigerant temperature on each system. These sensors are only installed on R-

407C units. If the refrigerant temperature falls below 20°F (11.1°C) in water cooling mode, the system will be shut down. If the refrigerant temp falls 15°F (8.3°C) below the leaving chilled liquid temp in glycol cooling mode, the system will shut down. If a malfunctioning or missing evaporator inlet refrigerant temp sensor reads out of range low, the system will also shut down. The low evap temp safety is ignored for the first 3 minutes of operation. After 3 minutes of run time there is a 5 minute Low Evap Temp Safety Bypass Ramp: Any time the evaporator inlet temperature drops below the cutout, the cutout will be lowered 6°F and ramped up to original value over the next 5 minutes. If the evaporator inlet temperature rises above the original cutout during the ramp, the cutout will be reset to the original value and the ramp will be ended.

2.7 PRINTOUT ON FAULT SHUTDOWN

If an optional printer is installed, the contents of History Buffer 1 will be sent to the printer any time a fault shutdown occurs. This will allow record keeping of individual faults, even if they do not cause a lockout of the system. This information may be useful to identify developing problems and troubleshooting.

The No Run Permissive fault messages will not be stored in the History Buffer and will not cause an auto printout.



Due to extreme operating conditions or systems where control deficiencies are present, occasional faults may occur with the corresponding automatic printout. This is not a cause for concern.

3. DISPLAY KEYS & OPTION SWITCHES



29023A

3.1 GENERAL

The Display keys provide direct access to retrieve commonly required data about the operation of the chiller. This is particularly useful during commissioning, monitoring the operation of the chiller, diagnosing potential future problems and service troubleshooting.

When a Display key is pressed, the corresponding message will be displayed and will remain on the display until another key is pressed.

Displayed data is in “real-time” and is updated approximately every 2 seconds. If updating of one of the messages is required faster than every 2 seconds, the appropriate key for the desired display can be pushed and held to provide updating every 0.4 seconds.

Display Messages may show characters indicating “greater than” (>) or “less than” (<). These characters indicate the actual values are greater than or less than the values which are being displayed, but are outside the ability of the micro to give an actual reading. This

is unlikely to occur unless a problem exists in the measuring sensors or during extreme conditions.

The Display keys and the data available from each is as follows:

3.2 CHILLED LIQUID TEMPS KEY

When the Chilled Liquid Temperatures key is pressed a display of chilled liquid temperatures leaving the chiller (LCHLT) and returning to the chiller (RCHLT) is provided as follows:

```
LCHLT = 44.2 ° F
RCHLT = 54.0 ° F
```

If the key is pressed again, the following message will appear if an optional mixed chilled leaving temp sensor is installed for multi unit sequencing. If a sensor is not installed, pressing the key will have no effect.

```
MCHLT = 43.8 ° F
```

3.3 SYSTEM # DATA KEYS

Pressing one of the System # Data keys a number of times scrolls through displays of differential oil pressure (OIL), suction pressure (SP) and discharge pressure (DP), oil temperature, suction temperature (ST), discharge temperature (DT), saturated suction temperature, suction superheat, saturated discharge temperature, discharge superheat and compressor slide valve position.

Examples of these displays are shown where # is the appropriate system number:

```
SYS # OIL = 176 PSIG
SP = 64 DP = 195 PSIG
```

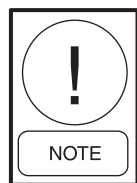
```
SYS # OIL = 157.4 °F
ST = 31.0 DT = 123.2 °F
```

```
S# SAT SUCT = 32.9 °F
SUCT SHEAT = 15.0 °F
```

```
S# SAT DSCH = 130.0 °F
DSCH SHEAT = 54.3 °F
```

```
SYS # S V STEP = 37
```

```
SYS # COOLER INLET
REFRIG TEMP = 28.2 °F
```

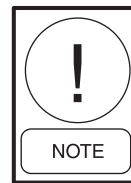


The Evaporator Inlet Temp. display will only appear if the chiller is selected for R407C.

Temperatures and pressures are either measured directly by transducers and temperature sensors, or computed from these measurements as follows:

Saturated discharge and suction temperatures are computed by converting measured pressure to temperature.

Slide Valve Position is computed based on the number of loading steps that the micro has sent to the slide valve solenoid in the form of a voltage signal. To the microprocessor, STEP 0 = fully unloaded and STEP 75 = fully loaded.



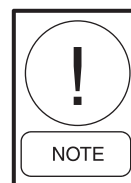
Slide valve position is APPROXIMATE and should be used for reference only. Under actual conditions the compressor may be fully loaded between step 60 - 75 and fully unloaded between step 0 - 35.

Superheats are the difference between the respective saturated temperature (converted from pressure) and the actual. Display Limits for the System Pressures and Temperatures displays are as follows:

	MIN. LIMIT	MAX. LIMIT
Oil Pressure	208 PSID (14 Bar)	0 PSID (0 Bar)
Suction Pressure	0 PSIG (0 Bar)	199 PSIG (14 Bar)
Discharge Pressure	0 PSIG (0 Bar)	399 PSIG (28 Bar)
Suction Temp.	* 9.0 °F (-13°C)	84.2 °F (29°C)
Discharge Temp.	40.3 °F (5°C)	302.6 °F (150°C)
Oil Temp.	40.3 °F (5°C)	240.0 °F (116°C)
Sat. Discharge Temp.	-41.0 °F (-41°C)	140.5 °F (60°C)
Sat. Suction Temp.	-41.0 °F (-41°C)	101.3 °F (39°C)
Slide Valve Position	0% (0%)	100% (100%)
Suction Superheat	* -81.5 °F (-63.1°C)	60.9 °F (16°C)
Discharge Superheat	22.5 °F (-5.3°C)	216.0 °F (102.2°C)



Minimum and maximum values may change as software (EPROM) revisions are made.



**Below 9.0°F (13°C), the Suction Temp. display will disappear. This will in turn cause the Superheat display to disappear.*

3.4 AMBIENT TEMP KEY

When the Ambient Temperature key is pressed, ambient air temperature, as measured surrounding the chiller, is displayed.

```
AMBIENT AIR TEMP
= 71.9 °F
```

Display Limits: Minimum - 4.6°F (-20.3°C)
Maximum 137.9°F (58.8°C)

3.5 % MOTOR CURRENT KEY

Pressing the Motor Current key displays compressor current for each system:

```
COMP 1 = 63 AMP 85% FLA
COMP 2 = 30 AMP 41% FLA
```

This display shows the average motor current in amps and average compressor motor current as a percentage of FLA. All values are approximate.

```
ISN CRNT LIMIT : NONE
EMS CRNT LIMIT : NONE
```

On the second press of the of the Motor Current Key, the current limit values as set by the ISN (Remote BAS System) and EMS-PWM current limiting input are displayed, if they are active. See Sections 1.10, and 2.4 for more details.

3.6 OPERATING HRS / START COUNTER KEY

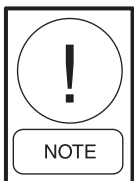
When the Operating Hours / Starts Counter key is pressed, the accumulated running hours and starts for System 1 and 2 compressors are displayed. Where applicable, pressing the key again displays the values for Systems 3 and 4 on larger models:

```
HRS 1 = 1143.2 = 1382
STR 1 = 285.2 = 322
```

```
HRS 3 = 1255.4 = 1095
STR 3 = 365.4 = 455
```

Display Limits : Maximum run hours 99,999
Maximum starts 99,999

Values roll over to zero, if the maximum limit is exceeded.



These counters are zeroed at the factory, but may indicate run time and number of starts logged during factory testing prior to shipment.

3.7 OPTIONS KEY & DIP SWITCH SETTINGS

The Options key provides a display of options which are programmed by the positions of the S1 Dip Switches on the Microprocessor Board. Proper programming of

the switches is important during the commissioning of the chiller. The Options key can be used to verify the Dip Switch positions without looking at or handling the Microprocessor Board.

Each press of the key will scroll to the next option/dip switch setting. Option Switch Messages (S1-1 to S1-8) will then be displayed in sequence. At the end of the sequence, the display will automatically revert to the first Option Switch message.

The following is a detailed guide to programming the Dip Switches together with the associated display message provided for each selection when the Options key is pressed:

SWITCH 1: Water / Glycol Cooling

Open:

```
S1 - 1 CHILLED LIQUID
      WATER
```

Water Cooling Mode is for water cooling applications and allows the chilled liquid leaving temperature setpoint to be programmed from 40 to 70 °F (4 to 21°C). Selecting this mode also auto-programs the Low Chilled Liquid Cut-Out at 36°F (2°C) and the Suction Pressure Cut-Out at 44 PSIG (3 bar).

Closed:

```
S1 - 1 CHILLED LIQUID
      GLYCOL
```

Glycol Cooling Mode is for brine/glycol applications with setpoints below 40°F (4°C) and allows the chilled liquid leaving temperature setpoint to be programmed from 10 to 70°F (-12 - 21°C). In this mode, the Low Chilled Liquid Cut-Out can be programmed from 8 to 36°F (-13 to 2°C) and the Suction Pressure Cut-Out programmed from 20 to 70 PSIG (1 to 5 bar) for R-22 models and 5 to 70 PSIG (0.3 to 5 bar) for R407C models.

SWITCH 2: Ambient Temp. Range Low Ambient Cutout

Open:

```
S1 - 2 AMBIENT CONTROL
      STANDARD
```

Standard Ambient Mode auto-programs the Low Ambient Cutout setting at 25°F (-4°C) and is not adjustable.

Closed:

**S 1 - 2 A M B I E N T C O N T R O L
L O W A M B I E N T**

Low Ambient Mode allows the Low Ambient Cut-Out to be programmed from 0 to 50 °F (-18 to 10°C). Values above 25°F (-4°C) can be used to automatically shut down the chiller when direct cooling methods become operational.

SWITCH 3: Refrigerant

Open:

**S 1 - 3 R E F R I G E R A N T
R - 4 0 7 C**

The R-407C Mode **MUST** be selected for models using refrigerant R-407C. Incorrect selection of this switch may cause serious damage to the chiller.

Closed:

**S 1 - 3 R E F R I G E R A N T
R - 2 2**

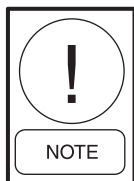
The R-22 Mode **MUST** be selected for models using refrigerant type R-22. Incorrect selection of this switch may cause serious damage to the chiller.

SWITCH 4: Unit Type

Open:

S 1 - 4 Y C W S

DO NOT USE THIS POSITION.

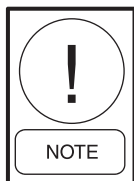


Incorrect programming may cause damage to the chiller.

Closed:

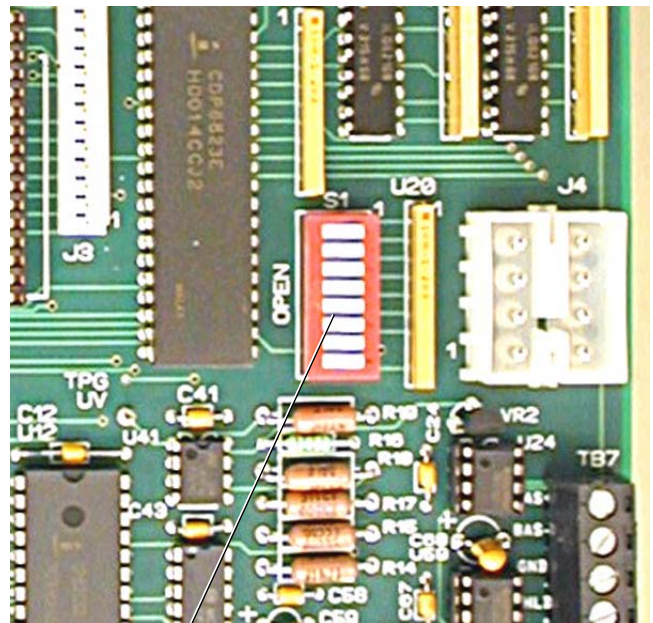
S 1 - 4 Y C A S

Place the switch in the CLOSED position selects the type of chiller as an air cooled chiller (YCAS). The switch **MUST** always be in the CLOSED position.



Incorrect programming may cause damage to the chiller.

Dip Switch Physical Location and Setting



028981-G

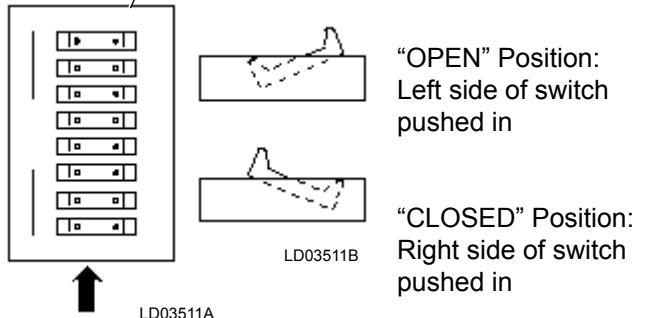


FIG. 49 – ENLARGED PHOTOGRAPH OF DIP SWITCHES ON MICROPROCESSOR BOARD

SWITCH 5: Motor Current Average option (start-up)

Open:

**S 1 - 5 M O T O R C U R R E N T
A V E R A G I N G E N A B L E D**

DO NOT USE THIS POSITION.

Nuisance trips at start-up could result.

Closed:

**S 1 - 5 MOTOR CURRENT
AVERAGING DISABLED**

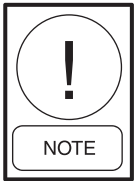
Placing the switch in the CLOSED position, disables motor current averaging protection at start-up. It is recommended that this option be selected to avoid nuisance start-up trips especially at extreme ambient/operating conditions.

SWITCH 6: Heat Recovery

Open:

**S 1 - 6 HEAT RECOVERY
DISABLED**

Placing the switch in the OPEN position, disables the heat recovery option. **The switch MUST be placed in the OPEN position.**

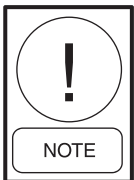


Incorrect programming may cause damage to the chiller.

Closed:

**S 1 - 6 HEAT RECOVERY
ENABLED**

DO NOT USE THIS POSITION.



Incorrect programming may cause damage to the chiller.

SWITCH 7: Expansion Valve Type

Open:

**S 1 - 7 EXPANSION VALVE
THERMOSTATIC**

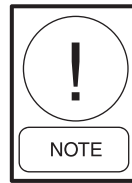
Placing the switch in the OPEN position, configures the chiller for a TXV. TXV's will never be used on standard chiller packages. The switch **MUST NEVER** be placed in the OPEN position.

Closed:

**S 1 - 7 EXPANSION VALVE
ELECTRONIC**

Placing the switch in the CLOSED position, configures

the chiller for an EEV (Electronic Expansion Valve). The switch **MUST** be placed in the CLOSED position.



Incorrect programming may cause damage to the chiller.

SWITCH 8: Standard Options

Open:

Standard Options Enabled.

Closed:

Do not use.

SUMMARY OF SETTINGS

The following table gives a summary of Modes (displayed messages) which can be selected using the Open and Closed positions for each of the eight SW1 Dip Switches.

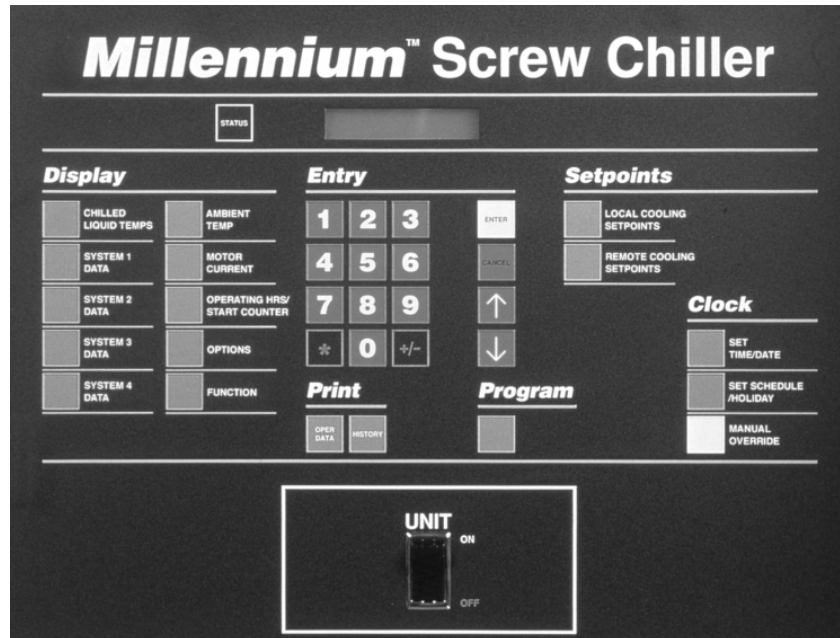
SWITCH	SWITCH "OPEN" SETTING	SWITCH "CLOSED" SETTING
1	Water Cooling	Glycol Cooling
2	Standard Ambient Control	Low Ambient Control
3	Refrigerant R-407C	Refrigerant R-22
4	Do Not Use	YCAS
5	Do Not Use	Motor Current Averaging (Start-Up) Disabled
6	Heat Recovery Disabled	Do Not Use
7	Expansion Valve Thermostatic	Expansion Valve Electronic*
8	Standard Options Enabled	Do Not Use

3.8 FUNCTION KEY

Pressing the Function key only displays the same message as pressing the Status key. Pressing the Function key followed by another display key will scroll through all the data available under that key once. E.g., pressing the Function key followed by the System 1 Data key will result in scrolling through the 5 displays shown in Section 3.3 without the need to press the System 1 Data key to scroll to the next display. After scrolling through the data, the display returns to the status message.

The following keys can be scrolled using the Function Key: Chilled Liquid Temps, System # Data, Motor Current and Options.

4. PRINT KEYS



29023A

4.1 GENERAL

The Print keys provide access to two sets of information either locally on the panel display or, if an optional printer is connected, remotely as hard copy printouts.

The Operating Data (Oper Data) key provides a real-time list of system operating data and programmed settings. The History key provides a comprehensive list of operating data and programmed settings “at the instant of fault” on each of the last six faults.

4.2 OPER DATA KEY

If a remote printer is not connected, pressing the Operating Data key allows the user to scroll through information, on the 40 character display, which is not directly available from the Display keys on the panel.

If a remote printer is connected, pressing the Operating Data key causes a snapshot to be taken of system operating conditions and of the user programming selections. The data is stored in temporary memory, then transmitted from the microprocessor to the remote printer. As the data is transmitted it is erased from the memory.

Information available using the Operating Data key is described in the following sections. In example displays “#” is used to indicate system number where appropriate.

4.3 OPERATING DATA – LOCAL DISPLAY MESSAGES

YCAS 2 System Models :

When the Operating Data key is pressed, the following message appears:

```

OPERATING DATA
DISPLAYS
  
```

Repetitively pressing the ↑↓ keys will scroll through the following Common (whole chiller) Data and individual System Data information displays.

Common Data:

```

LOAD TIMER      10 SEC
UNLOAD TIMER    0 SEC
  
```

This message shows the time remaining on the Load Timer and the Unload Timer. These Timers constantly recycle and are used in conjunction with “rate control” and “temperature deviation from setpoint” to determine when loading/unloading should occur.

```
TEMP ERROR 00.5 ° F
TEMP RATE - 0.9 ° F / M
```

The upper message indicates the difference (error) between actual leaving chilled liquid temperature and the programmed Target temperature. The lower message indicates the rate of change of the chilled liquid leaving temperature in degrees per minute. A minus sign (-) indicates falling temperature. No sign indicates rising temperature.

```
LEAD SYSTEM IS
SYSTEM NUMBER #
```

This message advises which system is programmed as the lead.

```
EVAP PUMP IS OFF
EVAP HEATER IS ON
```

This message indicates the position of the optional auxiliary contacts for the evaporator water pump and the status of the evaporator heater.

For the evaporator pump contacts, ON = contacts closed, OFF = contacts open.

The Evaporator Heater status is controlled on ambient temperature as follows: If measured ambient falls below 40°F (4°C), the Evaporator Heater is switched ON. If measured ambient then rises above 45°F (7°C) the heater is switched OFF. The evaporator heater prevents water standing in the evaporator from freezing.

```
ACTIVE REMOTE CTRL
NONE
```

This message indicates that a remote device such as a Remote Control Center, an ISN controller, or another device sending a PWM signal for temperature or current reset is overriding control points programmed through the keypad or default microprocessor setpoints. The following displays may be encountered:

NONE – No remote control active. Remote monitoring may be active.

ISN – YorkTalk via ISN or Remote Control Center (remote mode).

PWM CURR – EMS PWM Current Limiting Enabled

PWM TEMP – EMS PWM Temp. Reset Enabled

CUR/TEMP – EMS PWM Current Limiting & Temperature Reset Enabled

System Data:

The following sequence of three displays are provided first for System 1, then for System 2, and then for Systems 3 and 4 as applicable.

```
SYS # COMPRESSOR
IS ON
```

This message indicates whether the compressor on this system is ON or OFF.

```
SYS # MOTOR CURRENT
135 AMPS 78% FLA
```

This message indicates the compressor motor current in amps and as a percentage of Full Load Amps.

```
SYS # OIL = 175 PSIG
SP = 62 DP = 271 PSIG
```

This message indicates the system oil pressure, suction pressure, and discharge pressure.

```
SYS # OIL = 154.8 ° F
ST = 39.0 DT = 123.7 ° F
```

This message shows the system oil temperature, suction temperature, and discharge temperature.

```
S # SAT SUCT = 34.7 ° F
SUCT SHEAT = 10.5 ° F
```

These messages indicate compressor suction gas saturation temperature and superheat.

```
S # SAT DSCH = 129 ° F
DSCH SHEAT = 62.8 ° F
```

This message indicates compressor discharge gas saturation temperature and superheat.

```
SYS # SV STEP = 40
```

This message indicated the compressor slide valve position. 0 steps equals minimum capacity and 75 steps equals fully loaded.

```

SYS X EEV      = 37.4 %
SUCT SHEAT     = 10.2 ° F

```

This message indicates the EEV preheat % and the suction superheat.

```

SYS # RUN TIME
1 - 3 - 48 - 17 D - H - M - S

```

This message displays the accumulated Run Time since the last start in Days (D), Hours (H), Minutes (M), and Seconds (S).

```

SYS # LLSV IS      ON
ECON TXV SOL IS    ON

```

This message indicates the Liquid Line Solenoid Valve and the economizer TXV solenoid valve position: ON = Energized/Open, OFF = De-energized/Closed.

```

SYS # FAN STAGE    3
COMP HEATER IS     ON

```

This message advises the stage of condenser fan operation on this system and the status of the compressor heater. See Section 8.4 for details of fan staging.

Once the System Data sequence has been repeated for the second system, pressing the \uparrow or \downarrow key again will loop back to the beginning to the Load/Unload Timer display. To leave the sequence at any point, press a key from another section of the keypad.

SOFTWARE VERSION

The software version may be viewed by pressing the * key.

The software version will be displayed similar to the sample below:

```

SOFTWARE VERSION
C . ACS . 09 . 08

```

4.4 OPERATING DATA – REMOTE PRINTOUT

The follow text shows a typical example printout obtained by pressing the Operating Data key with an optional printer attached. In this case, an example is shown for a YCAS 2 System Chiller.

```

YORK INTERNATIONAL CORPORATION
MILLENNIUM SCREW CHILLER

```

```

UNIT STATUS
2:04PM 01 JUN 02

```

```

SYS 1      NO COOLING LOAD
SYS 2      COMPRESSOR RUNNING

```

OPTIONS

```

CHILLED LIQUID      WATER
AMBIENT CONTROL     STANDARD
REFRIGERANT TYPE    R-22
UNIT TYPE            YCAS
MOTOR CURRENT AVERAGING  ENABLED
HEAT RECOVERY       DISABLED

```

PROGRAM VALUES

```

DSCH PRESS CUTOUT    399 PSIG
DSCH PRESS UNLOAD    375 PSIG
SUCT PRESS CUTOUT    44 PSIG
HIGH AMBIENT CUTOUT  130.0 DEGF
LOW AMBIENT CUTOUT   25.0 DEGF
LEAVING LIQUID CUTOUT 36.0 DEGF
MOTOR CURRENT UNLOAD 100 %FLA
ANTI RECYCLE TIME    600 SECS
LOCAL/REMOTE MODE    REMOTE
LEAD/LAG CONTROL     AUTOMATIC

```

UNIT DATA

```

LEAVING LIQUID TEMP  49.0 DEGF
RETURN LIQUID TEMP   58.2 DEGF
SETPOINT             42.0 +/- 2.0 DEGF
REMOTE SETP          42.0 +/- 2.0 DEGF
AMBIENT AIR TEMP     74.8 DEGF
LEAD SYSTEM          SYS 2
EVAPORATOR PUMP      ON
EVAPORATOR HEATER    OFF
ACTIVE REMOTE CONTROL NONE
SOFTWARE VERSION     C.ACS.09.00

```

SYSTEM 1 DATA

```

COMPRESSORS STATUS   OFF
RUN TIME             0- 0- 0- 0 D-H-M-S
MOTOR CURRENT        0 AMPS 0 %FLA
SUCTION PRESSURE     125 PSIG
DISCHARGE PRESSURE   131 PSIG
OIL PRESSURE         130 PSIG
SUCTION TEMPERATURE  68.4 DEGF
DISCHARGE TEMPERATURE 68.8 DEGF
OIL TEMPERATURE     68.8 DEGF
SAT SUCTION TEMP     71.8 DEGF

```



```

SUCTION SUPERHEAT      3.4 DEGF
SAT DISCHARGE TEMP     74.5 DEGF
DISCHARGE SUPERHEAT   6.3 DEGF
SLIDE VALVE STEP       0
EEV OUTPUT              0.0 %
EVAPORATOR INLET REFRIG  44.6 DEGF
LIQUID LINE SOLENOID   OFF
ECONOMIZER TXV SOLENOID OFF
CONDENSER FAN STAGE    OFF
COMPRESSOR HEATER      ON
WYE-DELTA RELAY        OFF
    
```

SYSTEM 2 DATA

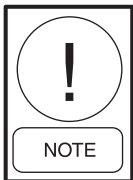
```

COMPRESSORS STATUS      ON
RUN TIME                0- 0-15-26 D-H-M-S
MOTOR CURRENT           104 AMPS 87 %FLA
SUCTION PRESSURE        57 PSIG
DISCHARGE PRESSURE      233 PSIG
OIL PRESSURE            218 PSIG
SUCTION TEMPERATURE    42.9 DEGF
DISCHARGE TEMPERATURE  145.5 DEGF
OIL TEMPERATURE        102.8 DEGF
SAT SUCTION TEMP        31.7 DEGF
SUCTION SUPERHEAT      11.2 DEGF
SAT DISCHARGE TEMP     112.1 DEGF
DISCHARGE SUPERHEAT    33.4 DEGF
SLIDE VALVE STEP       70
EEV OUTPUT              35.6 %
EVAPORATOR INLET REFRIG  23.6 DEGF
LIQUID LINE SOLENOID   ON
ECONOMIZER TXV SOLENOID ON
CONDENSER FAN STAGE    3
COMPRESSOR HEATER      OFF
WYE-DELTA RELAY        ON
    
```

DAILY SCHEDULE

```

S M T W T F S      *=HOLIDAY
MON START=00:00AM  STOP=00:00AM
TUE START=00:00AM  STOP=00:00AM
WED START=00:00AM  STOP=00:00AM
THU START=00:00AM  STOP=00:00AM
FRI START=00:00AM  STOP=00:00AM
SAT START=00:00AM  STOP=00:00AM
HOL START=00:00AM  STOP=00:00AM
    
```



The System Evaporator Inlet Refrigerant Temperature will be printed if the unit is in R407C mode.

4.5 HISTORY KEY

If a safety shutdown occurs on the chiller, a comprehensive list of operating and programmed settings data is stored by the microprocessor. The information is stored at the instant of the fault, regardless of whether the fault caused a lockout to occur. This information is not affected by power failures or manual resetting of a fault lockout.

The microprocessor stores data for up to 6 safety shutdowns. Once this limit is reached, a further shutdown will cause the oldest set of data to be discarded in favor of storing the new shutdown data. The Safety Shutdowns are numbered from 1 to 6 with number 1 always being the most recent.

If a remote printer is not connected, pressing the History key allows the operator to locally scroll through information relating to the stored safety shutdowns on the control panel display.

If a remote printer is connected, pressing the History key will cause data from the last 6 shutdowns to be transmitted from the microprocessor to the remote printer. The printout will begin with the most recent fault which occurred. This does not affect the stored data and as many prints as desired may be taken. See Section 4.7 for a HISTORY printout sample.

4.6 FAULT HISTORY DATA – LOCAL DISPLAY MESSAGES

When the History key is pressed, the following message will appear:

```

D I S P L A Y   S A F E T Y   S H U T -
D O W N   N O . 1   ( 1   T O   6 )
    
```

To select a Safety Shutdown, press the appropriate key on the numeric key pad, then press Enter. Remember that the most recent fault information is stored as shutdown No. 1. After the ENTER Key is pressed, a message indicating the time and date of the Fault Shutdown will appear:

```

S H U T D O W N   O C C U R R E D
5 : 5 9 A M      2 9   N O V   0 2
    
```

Repetitively pressing the $\uparrow\downarrow$ Keys allows scrolling through the information available in the Safety Shutdown buffer. This is divided into Chiller Data and Individual System Data displays as follows:

Chiller Data:

```
SYS 1 NO FAULTS
SYS 2 HIGH MTR CURR
```

This message indicates the fault that caused the shutdown; in this case, a high motor current in System 2 was the cause of the shutdown.

```
S1 - 1 CHILLED LIQUID
      WATER
```

This message displays the type of chilled liquid selected (water or glycol) at the time of the fault.

```
S1 - 2 AMBIENT CONTROL
      LOW AMBIENT
```

This display indicates whether standard or low ambient operation was selected at the time of the fault.

```
S1 - 3 REFRIGERANT
      R - 2 2
```

This message indicates the type of refrigerant that was programmed at the time of the fault (R-22 or R407C).

```
S1 - 4      YCAS
```

This message indicates the type of Chiller (YCAS or YCWS) programmed at the time of the fault. **(MUST BE IN YCAS MODE)**

```
S1 - 5 MOTOR CURRENT
      AVERAGING DISABLED
```

This message indicates whether motor current averaging at start-up is enabled or disabled.

```
S1 - 6 HEAT RECOVERY
      DISABLED
```

This message indicates whether heat recovery is disabled or enabled. **(HEAT RECOVERY MUST BE DISABLED)**

```
S1 - 7 EXPANSION VALVE
      ELECTRONIC
```

This message indicates whether electronic or thermostatic expansion valve is selected. **(ELECTRONIC MUST BE SELECTED FOR EEV OPERATION)**. (Remote barrel applications are programmed for thermostatic).

```
DISCHARGE PRESSURE
CUTOUT = 395.0 PSIG
```

This message indicates the discharge pressure cut-out programmed at the time of the fault.

```
DISCHARGE PRESSURE
UNLOAD = 375.0 PSIG
```

This display provides the discharge pressure unload point, programmed at the time of the fault.

```
SUCTION PRESSURE
CUTOUT = 44.0 PSIG
```

This message displays the suction pressure cut-out programmed at the time of the fault.

```
HIGH AMBIENT TEMP
CUTOUT = 130.0 °F
```

This message indicates the High Ambient Temperature Cutout at the time of the fault.

```
LOW AMBIENT TEMP
CUTOUT = 25.0 °F
```

This display shows the Low Ambient Cutout programmed at the time of the fault.

```
LEAVING LIQUID TEMP
CUTOUT = 36.0 °F
```

This display shows the Low Leaving Chilled Liquid Cutout programmed at the time of the fault.

```
HIGH MOTOR CURRENT
UNLOAD - 100% FLA
```

This message shows the programmed %FLA Motor Current Unload at the time of the fault.

LOCAL / REMOTE MODE
LOCAL

This message shows whether remote or local communications was selected at the time of the fault.

LEAD / LAG CONTROL
AUTOMATIC

This message displays the lead/lag selection programmed at the time of the fault.

LCHLT = 44 . 1 ° F
RCHLT = 52 . 9 ° F

This message indicates the leaving and return chilled liquid temperature at the time of the fault.

MCHLT = 43 . 8 ° F

This message indicates the mixed water temperature at the time of the fault. A mixed water sensor may be present when multi-unit sequencing is utilized. If no mixed water temperature sensor is installed, the display will not present.

SETPOINT = 44 . 0 ° F
RANGE = + / - 2 . 0 ° F

This message displays the programmed chilled liquid setpoint and deviation (control range) programmed at the time of the fault.

AMBIENT AIR TEMP
77 . 6 ° F

This message indicates the outdoor Ambient Air Temperature at the time of the fault.

LEAD SYSTEM IS
SYSTEM NUMBER 1

This message indicates which system was in the lead at the time of the fault.

EVAP PUMP IS ON
EVAP HEATER IS OFF

This message indicates the status of both the evaporator pump signal from the microprocessor and the evaporator heater.

ACTIVE REMOTE CTRL
NONE

This message indicates that a remote device such as a Remote Control Center, an ISN controller, or another device is sending a PWM signal for temperature or current reset is overriding control points programmed through the keypad or default microprocessor setpoints.

System Data:

Following the Common Data is a sequence of twenty information displays which are given twice, first for System 1, then for System 2. In each example, “#” is used to indicate System number:

SYS # COMPRESSOR
IS ON

This message indicates whether the compressor on this system was ON or OFF at the time of the fault.

SYS # RUN TIME
1 - 3 - 48 - 17 D - H - M - S

This message shows the Run Time logged on the system since the last compressor start, in Days (D), Hours (H), Minutes (M), and Seconds (S).

SYS # MOTOR CURRENT
135 AMPS 78% FLA

This message indicates the compressor motor current in amps and as a percentage of Full Load Amps.

```

SYS # OIL = 175 PSIG
SP = 62 DP = 271 PSIG

```

This message indicates the system oil pressure, suction pressure, and discharge pressure at the time of the fault.

```

SYS # OIL = 154.8 °F
ST = 39.0 DT = 123.7 °F

```

This message shows the system oil temperature, suction temperature, and discharge temperature at the time of the fault.

```

S # SAT SUCT = 34.7 °F
SUCT SHEAT = 10.5 °F

```

These messages indicate compressor suction gas saturation temperature and superheat at the time of the fault.

```

S # SAT DSCH = 129 °F
DSCH SHEAT = 62.8 °F

```

This message indicates compressor discharge gas saturation temperature and superheat at the time of the fault.

```

SYS # SV STEP = 40

```

This message indicates the compressor slide valve position at the time of the fault. 0 steps equals minimum capacity and 75 steps equals fully loaded.

```

SYS X EEV = 37.4 %
SUCT SHEAT = 10.2 °F

```

This message indicates the EEV preheat % and the suction superheat.

```

SYS # COOLER INLET
REFRIG TEMP = 28.2 °F

```

This message, which is only displayed if the unit is in R-407C mode, indicates the refrigerant temperature at the inlet of the evaporator.

```

SYS # LLSV IS ON
ECON TXV SOL IS OFF

```

This message indicates the EEV PILOT Solenoid Valve and the economizer Thermal Expansion Valve Solenoid Valve position: ON = Energized / OFF = De-Energized (OFF) at the time of the fault.

```

SYS # FAN STAGE 3
COMP HEATER IS OFF

```

This message indicates the stage of condenser fan operation on the system and the status of the compressor heater at the time of the fault. See Section 8.4 for details of fan staging.

```

SYS # WYE-DELTA ON

```

This message indicate whether the WYE-DELTA output to the compressor was energized at the time of the fault

```

SYS X DSCH CL SV OFF
SYS X WYE-DELTA OFF

```

This message indicates whether the discharge cooling solenoid was energized at the time of the fault and if the WYE-DELTA output to the compressor was energized. (Low Temperature Glycol Chillers Only)

**4.7 FAULT HISTORY DATA –
REMOTE PRINTOUT**

A printout history of unit and system operating conditions, at the time of the fault, can be obtained by pressing the HISTORY Key with an optional printer installed. 2 compressor chillers will provide a history printout on the last 6 faults.

An example of the HISTORY Printout is shown below:

```

YORK INTERNATIONAL CORPORATION
MILLENNIUM SCREW CHILLER

SAFETY SHUTDOWN NUMBER 1
SHUTDOWN @ 3:56PM 29 SEP 02

SYS 1 HIGH DSCH PRESS SHUTDOWN
SYS 2 NO FAULTS

OPTIONS

CHILLED LIQUID WATER
AMBIENT CONTROL STANDARD
REFRIGERANT TYPE R-22
UNIT TYPE YCAS
MOTOR CURRENT AVERAGING ENABLED
HEAT RECOVERY DISABLED

PROGRAM VALUES

DSCH PRESS CUTOUT 399 PSIG
DSCH PRESS UNLOAD 375 PSIG
SUCT PRESS CUTOUT 44 PSIG
HIGH AMBIENT CUTOUT 130.0 DEGF
LOW AMBIENT CUTOUT 25.0 DEGF
LEAVING LIQUID CUTOUT 36.0 DEGF
MOTOR CURRENT UNLOAD 100 %FLA
ANTI RECYCLE TIME 600 SECS
LOCAL/REMOTE MODE REMOTE
LEAD/LAG CONTROL AUTOMATIC

UNIT DATA

LEAVING LIQUID TEMP 49.0 DEGF
RETURN LIQUID TEMP 58.2 DEGF
SETPPOINT 42.0 +/- 2.0 DEGF
REMOTE SETP 42.0 +/- 2.0 DEGF
AMBIENT AIR TEMP 74.8 DEGF
LEAD SYSTEM SYS 2
EVAPORATOR PUMP ON
EVAPORATOR HEATER OFF
ACTIVE REMOTE CONTROL NONE
SOFTWARE VERSION C.ACS.09.00

SYSTEM 1 DATA

COMPRESSORS STATUS OFF
RUN TIME 0- 0- 0- 0 D-H-M-S
MOTOR CURRENT 0 AMPS 0 %FLA
SUCTION PRESSURE 125 PSIG
DISCHARGE PRESSURE 131 PSIG
OIL PRESSURE 130 PSIG
SUCTION TEMPERATURE 68.4 DEGF
DISCHARGE TEMPERATURE 68.8 DEGF
    
```

```

OIL TEMPERATURE 68.8 DEGF
SAT SUCTION TEMP 71.8 DEGF
SUCTION SUPERHEAT 3.4 DEGF
SAT DISCHARGE TEMP 74.5 DEGF
DISCHARGE SUPERHEAT 6.3 DEGF
SLIDE VALVE STEP 0
EEV OUTPUT 0.0 %
EVAPORATOR INLET REFRIG 44.6 DEGF
LIQUID LINE SOLENOID OFF
ECONOMIZER TXV SOLENOID OFF
CONDENSER FAN STAGE OFF
COMPRESSOR HEATER ON
WYE-DELTA RELAY OFF

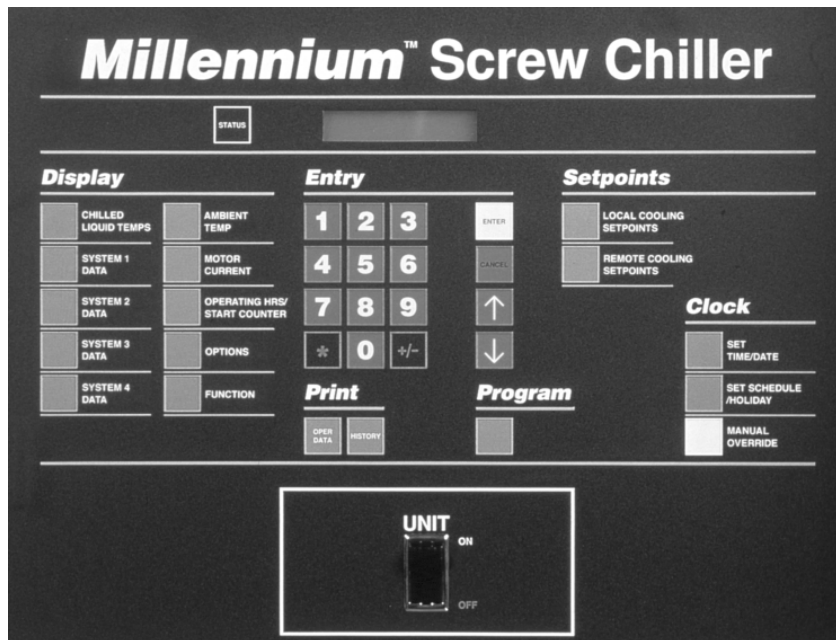
SYSTEM 2 DATA

COMPRESSORS STATUS ON
RUN TIME 0- 0-15-26 D-H-M-S
MOTOR CURRENT 104 AMPS 87 %FLA
SUCTION PRESSURE 57 PSIG
DISCHARGE PRESSURE 233 PSIG
OIL PRESSURE 218 PSIG
SUCTION TEMPERATURE 42.9 DEGF
DISCHARGE TEMPERATURE 145.5 DEGF
OIL TEMPERATURE 102.8 DEGF
SAT SUCTION TEMP 31.7 DEGF
SUCTION SUPERHEAT 11.2 DEGF
SAT DISCHARGE TEMP 112.1 DEGF
DISCHARGE SUPERHEAT 33.4 DEGF
SLIDE VALVE STEP 70
EEV OUTPUT 35.6 %
EVAPORATOR INLET REFRIG 23.6 DEGF
LIQUID LINE SOLENOID ON
ECONOMIZER TXV SOLENOID ON
CONDENSER FAN STAGE 3
COMPRESSOR HEATER OFF
WYE-DELTA RELAY ON

DAILY SCHEDULE

S M T W T F S *=HOLIDAY
MON START=00:00AM STOP=00:00AM
TUE START=00:00AM STOP=00:00AM
WED START=00:00AM STOP=00:00AM
THU START=00:00AM STOP=00:00AM
FRI START=00:00AM STOP=00:00AM
SAT START=00:00AM STOP=00:00AM
HOL START=00:00AM STOP=00:00AM
    
```

5. ENTRY KEYS



29023A

5.1 GENERAL

The Entry keys allow the user to change numerical values programmed in as chiller setpoints, cutouts, clock, etc.

5.2 NUMERICAL KEYPAD

The Numerical keypad provides all keys necessary to program numerical values into the Micro Panel.

The “*” key is used to designate holidays when programming special start/stop times for designated holidays in the SET SCHEDULE/HOLIDAY program mode.

The “+/-” key allows programming -C setpoints and cut-outs in the metric display mode.

5.3 ENTER KEY

The Enter key must be pushed after any change is made to setpoints, cutouts, or system clock. Pressing this key tells the micro to accept new values into memory. If this is not done, the new values entered will be lost and the original values will be returned.

The Enter key is also used to scroll through available data when using the Program or Set Schedule/Holiday keys.

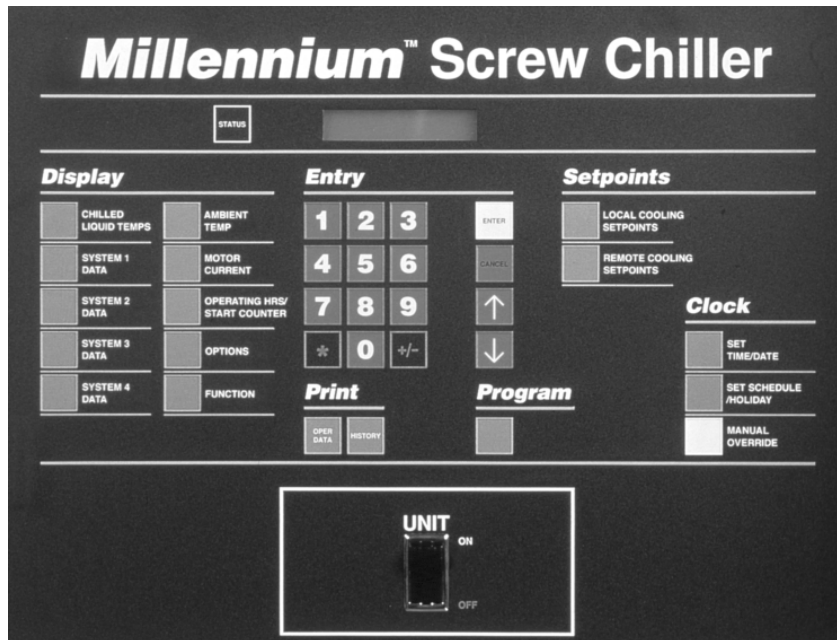
5.4 CANCEL KEY

When the Cancel key is pressed, the cursor will always return to the first character to be programmed in the display message. This allows the operator to begin re-programming, if an error is made. When the Cancel key is pressed, the values already keyed in will be erased and the original or internally programmed default values will appear. In other instances the display will remain the same and the only reaction will be the cursor returning to the first character.

5.5 ↑↓ KEYS

The ↑↓ keys allow the user to scroll through data under the OPER DATA and HISTORY Key and to select the correct day of the week and the correct month when programming the micro with the correct time and date. The ↓ key also operates as a toggle AM/PM key if the cursor is over “AM” or “PM” on the display. For example, pressing the ↓ key when the cursor is on “PM” changes it to “AM.”

6. SETPOINTS KEYS & CHILLED LIQUID CONTROL



29023A

6.1 GENERAL

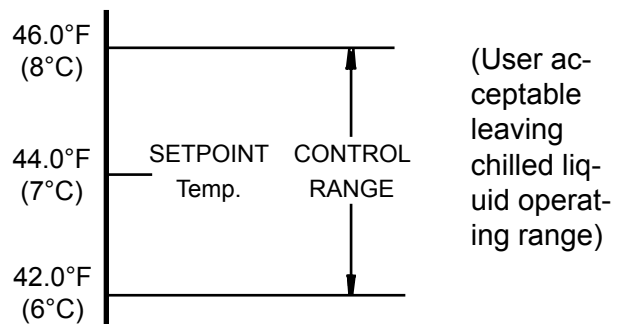
The microprocessor monitors leaving chilled liquid temperature and adjusts the chiller cooling capacity to maintain this temperature within a programmed range. The capacity is controlled by switching compressors on or off, and by varying a load/unload voltage to each compressor slide valve to adjust the capacity of the compressors. The microprocessor controls chilled liquid temperature through a combination of Fuzzy Logic control and internal timers. Fuzzy logic enables the micro to analyze the deviation from setpoint and the rate of change and determine the amount of loading and unloading necessary to control to the desired chilled liquid setpoint temperature. The micro also attempts to maximize efficiency by spreading the cooling load between compressors, minimize compressor cycling, and optimally utilize evaporator tube surface (maximize efficiency). This method of control is suitable for both water and glycol cooling. A control setpoints can be programmed into the chiller to establish the desired range of leaving chilled liquid operating temperatures. A description of the operation and programming follows.

6.2 CHILLED LIQUID TEMPERATURE CONTROL

The Setpoints keys are used to program the required chilled water liquid temperature for the application. This is accomplished by programming the “Setpoint” and the acceptable deviation (+ or - Range) This deviation is simply called the “Control Range” and is best

described as the maximum acceptable + and - deviation from Setpoint.

The minimum acceptable temperature is the Lower Range Limit and is calculated by subtracting the “-” Range from the Setpoint. The Lower Range Limit is the lowest acceptable leaving temperature. The highest acceptable temperature is referred to as the Upper Range Limit and is calculated by adding the “+” Range to the Setpoint. The Upper Range Limit is the highest acceptable leaving temperature. For example, if the desired Setpoint temperature is 44.0°F (7°C) and the allowable deviation (+/- Range) from this temperature is +/- 2.0°F (1°C), then the micro will attempt to control leaving chilled liquid temperatures to 42.0°F (6°C) to 46.0°F (8°C). This can be viewed pictorially as follows:



To assure that the chilled liquid leaving temperature stays within the Control Range, the micro will attempt to control the leaving temperature to the actual Setpoint temperature. This is accomplished by analyzing the temperature error and the rate of change to determine the amount of loading necessary to cool the chilled liquid

to the Setpoint Temperature. The amount of loading is varied by changing the amount of DC Voltage signal to the slide valve solenoid of each compressor. Voltage increases with load (0 - approximately 9VDC at full load).

Slide Valve Control

The slide valve of each compressor can be moved 75 steps, where “0” equals minimum capacity and fully loaded equals 75 steps. The amount of movement that occurs when the micro initiates changes may vary according to the error or deviation from setpoint and the rate of change of chilled liquid temperature. Each time a change is made, the incremental change may vary from 1 to 10 steps as determined from the micro. In cases where internal limiting is not in effect due to possible fault conditions, the micro will load the compressor with the lowest number of steps, alternating loading back and forth between compressors until both are fully loaded.

In some cases the micro will be required to make decisions regarding loading under conditions where the temperature “error” and temperature “rate” conflict. For example, the micro may elect to unload a compressor if the error is “0” (temperature is at setpoint), while the rate of change of chilled liquid temperature is negative (falling). The micro may also elect to hold capacity when error is “+” (temperature is above setpoint) because the rate of change of chilled liquid is “-”. Below is a chart which illustrates these conditions.

		ERROR		
		Negative	Zero	Positive
RATE	Negative	Unload	Unload	Hold
	Zero	Unload	Hold	Load
	Positive	Hold	Load	Load

Load Timers

Fixed timers are set to minimize undershoot and overshoot as a result of slide valve control.

- Load Timers are always set at 10 seconds between changes.
- Unload Timers are set at 5 seconds between changes.

Slide Valve Position

A slide valve position (S V STEP), under the keypad system keys, of 75 indicates that the compressor is fully loaded. However due to the non-exact movement of the mechanism, a position less than 75, possibly 60, could also mean that the compressor is fully loaded. A compressor may also be fully unloaded at step 35 and below. Keep this potential indicator error in mind when attempting to determine slide valve position versus actual compressor capacity.

Compressor Starting & Loading Sequence

If no compressors are running, the Daily Schedule permits, all safeties and run permissives are satisfied, the anti-recycle timers have timed out, and the leaving liquid temperature rises above the upper range limit of the Control Range, the lead compressor will be started. A 0VDC signal is sent to the compressor slide valve control solenoid to allow the internal spring to push the slide valve to a minimum loading position to assure it is fully unloaded at start. At the same time, the micro will energize (open) the pilot solenoid on the EEV. After an initial period of 15 seconds, the micro will begin to load up the lead compressor to bring the chilled liquid temperature to setpoint.

After 5 minutes of run time, if leaving chilled liquid temperature is not within the Control Range, the micro will start the lag compressor. This is not dependent on slide valve position which after 5 minutes will typically be fully loaded at a S V Step of “75”. The lead compressor will be reduced in capacity to a slide valve step of 40. The lag compressor will then be loaded until it also reaches a slide valve step of 40 while the lead compressor is maintained at a constant load. At this point the compressors will be alternately loaded with loading always occurring on the compressor with the lowest slide valve step until the leaving chilled liquid is satisfied.

Compressor Loading

The micro loads and unloads individual compressors by varying voltage to the Slide Valve solenoid which controls oil flow to the slide valve. The slide valve load solenoid applies oil pressure to the slide valve to overcome spring pressure from an internal spring, increasing capacity. The internal spring moves the slide valve in the opposite direction against oil pressure to decrease capacity.

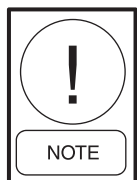
Whenever chilled liquid leaving temperature is above the Setpoint plus the control range, loading voltage will increase to allow oil pressure to push against the internal slide valve return spring and move the slide valve to increase capacity. Every 10 seconds, when the load timer decrements to 0, the micro will increment the slide valve step from 1 to 10 steps according to error (deviation from setpoint) and rate of change of chilled liquid.

The micro will always choose the compressor with the lowest slide valve position to load on increasing demand, provided the compressor is not pumping down, has run at least 15 seconds, and is not in a "Limiting" condition.

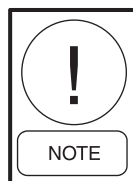
Compressor Unloading and Shutdown Sequence

Whenever temperature is below the Setpoint, minus the control range, the voltage to the slide valve solenoid will decrease, which bypasses oil pressure to the slide valve allowing the slide valve return spring to move the slide valve forward to the fully unloaded position on the compressor with highest slide valve step. Every 5 seconds, the micro will decrement the compressor with the highest slide valve position by 1 - 10 steps according to the error (deviation from Setpoint) and the rate of change of chilled liquid temperature until the temperature falls within the control range.

As load drops, the micro will continue to unload the compressor with the highest slide valve step until all compressor slide valves are at "0." At this point, the last lag compressor will pump down and cycle off, if chilled liquid temperature drops below "Setpoint - Control Range/2". When the lag compressor cycles off, the lead compressor slide valve will increment to step 30. As load continues to decrease, the lead compressor will continue to unload to a slide valve position of "0" and will pump down and cycle off if the chilled liquid temperature drops below "Setpoint - Control Range."



The lag compressor may be shut down before it is fully unloaded to avoid a Chiller fault on a Low Water Temperature cut-out under the following conditions: a) if chilled liquid temperature falls below the low end of the Control Range (CR) for more than 37 seconds, b) if chilled liquid temperature drops more than CR/4 below the low limit of the Control Range.



The lead compressor may be shut down before it is fully unloaded to avoid a Chiller Fault on Low Water Temperature under the following conditions: a) if chilled liquid temperature drops 2°F below the low limit of the Control Range (CR), b) if chilled liquid temperature drops more than CR/2 below the low limit of the Control Range.

ANTICIPATORY LOAD LIMITING CONTROLS

The purpose of the Anticipatory Load Limiting controls is to prevent the system from ever reaching a point where the micro would be forced to unload a system to prevent the system from reaching a safety threshold. This in turn prevents cycling of the slide valve as the micro would load and unload the system as system operating pressures and temperatures move above and below the forced unload point.

Anticipatory load limiting controls monitor motor current, discharge pressure, and saturated suction temperature. When the system is called to load in an attempt to satisfy chilled liquid temperature, the micro looks at these three operating parameters and determines if any are nearing the user programmed or internal microprocessor unload threshold points programmed into the micro panel. If the micro determines that the unload points could be exceeded, it limits the steps of loading or may decide not to provide any further loading of the specific system, even though there is a need for additional cooling. No status display will be present when anticipatory load limiting occurs.

In the case of both Motor Current and Discharge Pressure, the micro limits loading as follows based on the programmed unload point. These thresholds are outlined in the following table:

Percentage of Motor Current or Discharge Pressure Unload Point	Maximum Steps of Loading After Load Timer Counts to "0"
> 70 %	3
> 80 %	2
> 90 %	1
> 95 %	0

In the case of Saturated suction temperature, the micro limits loading based on saturated suction temperature dropping toward the point of unloading. In the water

cooling mode, the saturated suction temperature unload point is 24°F (-4.42°C). In glycol cooling mode, the control is inactive. The load limiting thresholds are shown in the following table:

Temperature Difference Between Saturated Suction Temperature and the Unload Temperature	Maximum Steps of Loading After Load Timer Counts to "0"
< 7.0	3
< 4.5	2
< 2.5	1
< 1.0	0

ANTICIPATORY UNLOADING CONTROLS

The purpose of these controls is to prevent the system from ever reaching a point where pressure or temperature safety threshold would be exceeded shutting down a system. This is accomplished by forcibly unloading the compressor.

Anticipatory unloading controls monitor motor current, discharge pressure, and saturated suction temperature every 2 seconds and compare the values with the user or internally programmed unload points. When the system exceeds the unload point, the micro unloads the compressor based upon the difference between the actual pressure/temperature and the unload point. This action is taken even through there may be a need for additional cooling.

In the case of both the Motor Current and Discharge Pressure, the micro unloads the compressor as follows based on the user programmed unload threshold. The amount of unloading based upon the deviation versus the number of steps of unloading which will take place is outlined in the following table:

Percentage of Motor Current or Discharge Pressure Unload Point	Maximum Steps of Unloading After Load Timer Counts to "0"
> 100 %	1
> 102 %	2
> 104 %	3
> 106%	4
> 108 %	5
> 115 %	10

In the case of Saturated suction temperature, the unloading is based on saturated suction temperature dropping below the internally programmed unload threshold. In the water cooling mode, the saturated suction temperature unload point is 24°F (-4.42°C) In the glycol cooling

mode, the saturated suction temperature unload point is equal to the leaving chilled liquid setpoint -11°F (6.1°C). The unload limiting thresholds are shown in the table below:

Temperature Difference Between Saturated Suction Temperature and the Unload Temperature	Maximum Steps of Unloading After Load Timer Counts to "0"
< 0.0	1
< -0.5	2
< -1.0	3
< -1.5	4
< -2.0	5
< -3.5	10

Whenever these controls are active, a STATUS Message will appear on the display indicating the condition. See displays below:

```
SYS # DSCH LIMITING
SYS # DSCH LIMITING
```

```
SYS # CURR LIMITING
SYS # CURR LIMITING
```

```
SYS # SUCT LIMITING
SYS # SUCT LIMITING
```

DISCHARGE TEMPERATURE ANTICIPATORY SHUTDOWN CONTROL

If the discharge temperature nears the safety shutdown point, the micro may turn off the compressor to avoid a high discharge temperature fault.

If the discharge temperature rises above 255°F (123°C), the micro will pump down the compressor and shut it off. The micro will not allow the affected system to restart for a period of 15 minutes. A message indicating the compressor start inhibit will be displayed. An example of the display is shown below:

```
SYS # DSCH / OIL INHIB
SYS # DSCH / OIL INHIB
```

OIL TEMPERATURE ANTICIPATORY SHUTDOWN CONTROL

If the oil temperature nears the safety shutdown point, the micro may turn off the compressor to avoid a high oil temperature fault.

If the oil temperature rises above 220°F (104°C) and SV position is <60 steps, the micro will pump down the compressor and shut it off. The micro will not allow the effected system to restart for a period of 15 minutes. A message indicating the compressor start inhibit will be displayed. An example of the display is shown below.

```
SYS # DSCH / OIL INHIB
SYS # DSCH / OIL INHIB
```

6.3 LOCAL COOLING SETPOINTS KEY

The Local Cooling Setpoints key is used to program the required Leaving Chilled Liquid control temperatures for the application. When the key is pressed, the following message will be displayed:

```
SETPOINT = 44.0 °F
RANGE = +/- 2.0 °F
```

Key in the desired Chilled Liquid Setpoint and the allowable deviation (Range). The micro will accept values from 10.0 - 70.0°F (-12 to 21°C). For values below 40°F (4.4°C), Dip Switch S1, Switch #1 on the Microprocessor Board must be properly programmed for Glycol Cooling (see Section 3.7). If unacceptable values are entered, or the switch is incorrectly selected when setpoints below 40°F (4.4°C) are entered, the following message will be displayed before returning to the Control Range message:

```
OUT OF RANGE -
TRY AGAIN!
```

After the Setpoint is keyed in, the cursor will automatically advance to the first digit of the Range as shown:

```
SETPOINT = 44.0 °F
RANGE = +/- 2.0 °F
```

This value should be programmed for the maximum desirable positive and negative chilled liquid temperature deviation that is acceptable from setpoint for the system application. A typical value would be +/- 2.0°F (1.1°C). The micro will accept a range from 1.5 - 2.5°F (0.9 to 1.4°C).

After the Setpoint and Range is keyed in, press the ENTER Key to store the data in memory.



Failure to press the Enter key will cause the newly programmed values to be ignored and not entered into memory.

After pressing the Enter key, the display will continue to show the message until another key is pressed.

6.4 REMOTE COOLING SETPOINTS KEY

Remote Cooling Setpoints key allows resetting the setpoint upward from the programmed value in memory from a remote device. This feature is typically used for demand limiting or ice storage applications. Reset is accomplished by timed closure of external contacts for a defined period of time and allows reset of the setpoint upward by up to 40°F (22°C) above the setpoint programmed in memory – see Section 1.7.

The maximum allowable reset must be programmed into memory and can be a value of 2 to 40°F (1 to 22°C) depending on user requirements. To program the maximum reset, press the Remote Reset Temperature Range key. The following message will appear:

```
REM SETP = 44.0 °F
RANGE = +/- 2.0 °F
```

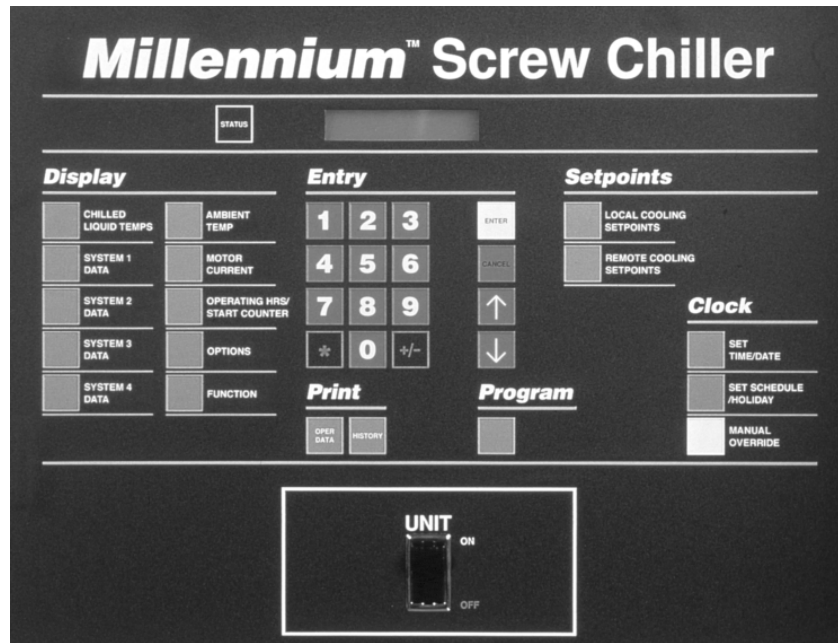
The display indicates the Remote Setpoint which is always equal to the chilled liquid setpoint programmed by the Chilled Liquid Temperature/Range key plus the offset from the remote reset signal. The display will also show the Range which is the programmed maximum deviation allowed for the application. The RANGE display is not programmable, and only the setpoint will change as a result of a signal from a remote device.

```
MAX EMS - PWM REMOTE
TEMP RESET = +40 °F
```

Pressing the REM RESET TEMP RANGE Key again scrolls the display to the MAX EMS-PWM REMOTE TEMP RESET which is programmable. This should be programmed to the maximum offset which is required for the application. The maximum programmable value is 40°F (22°C), while the minimum programmable value is 2°F (1.1°C).

The cursor will stop beneath the first digit of the maximum reset. Key in the maximum reset allowed for the application, remembering to use a leading “0” for values less than 10°F (or 10°C). Press the ENTER Key to store the new value in memory.

7. CLOCK KEYS



29023A

7.1 GENERAL

The microprocessor features a continuously running internal Clock and calendar and can display actual time as well as the day of the week and the date. An automatic schedule feature is provided for starting and stopping the chiller on individual days of the week, eliminating the need for an external time clock. Also provided are a Holiday feature, allowing special start/stop times to be set for designated holidays, and a Manual Override feature to aid servicing. If the automatic schedule feature is not required, the micro can be programmed to run the chiller on demand as long as the Chiller ON/OFF and System switches are in the ON position.

Programming of the internal clock/calendar and operating schedule are described below.

7.2 SET TIME KEY

When the Set Time key is pressed, a message showing the day, time and date will be displayed with the cursor below the first digit of the time as shown:

```
T O D A Y   I S   M O N   1 1 . 1 2 A M
                1 9   F E B   2 0 0 3
```

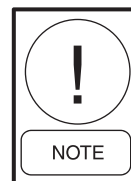
First press the ↑ or ↓ key until the proper day appears. Press ENTER to move on to the hour part of the display. Next, key in the time (hours/minutes) using a leading

“0” for times before 10 o’clock. e.g. 08:31. The cursor will then advance to the AM/PM designation. If necessary press the ↑ or ↓ key to change to the opposite time period.

Next, key in the day of the month (the cursor will automatically skip from AM/PM to the first digit of the date when a “number key” is pressed). The cursor will then skip to the first digit of the year. Key in the year. Always use two digits for the day and the year, using a leading “0” for days 1-9 e.g. 02 FEB 03. Finally, change the month as needed by repetitively pressing the ↑ or ↓ key until the proper month appears. Once the desired information is keyed in, it must be stored into memory by pressing the Enter key.

Any valid time or date will be accepted. If an out of range value is entered, the following message will be displayed for 3 seconds then revert back to the Set Time display message for reprogramming:

```
O U T   O F   R A N G E   -
T R Y   A G A I N   !
```



Pressing the Set Time key once, enters the “programming” mode in which the displayed time does not update. Pressing the Set Time key a second time enters “display” mode in which the cursor will disappear and the “live” clock will be displayed.

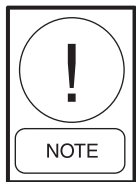
7.3 SET SCHEDULE / HOLIDAY KEY

Messages showing each week day and the holiday start/stop schedule, as shown below, can be displayed using the Set Schedule / Holiday key:

```

MON  START  =  06 : 00  AM
      STOP   =  05 : 30  PM
    
```

The displays for each day are scrolled through by repetitively pressing the set Schedule/Holiday key. To re-program any of the daily schedules, key in the new Start time then, if necessary, change the associated AM/PM by pressing the ↑ or ↓ key.



The ↑ or ↓ key can only be pressed once to change AM/PM. If an error is made, press Cancel and begin again.

Next key in the Stop Time (the cursor will automatically skip from AM/PM to the first digit of the stop time when a “number key” is pressed) and the AM/PM if necessary. Now press the ENTER key to store the new schedule. The display will scroll to the next day. If an unacceptable time is entered, the following message will be displayed for 3 seconds then return to the schedule display:

```

OUT OF RANGE
TRY AGAIN!
    
```

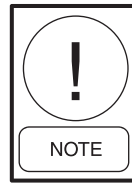


New start/stop times programmed for Monday are automatically used for all of the following days of the week.



Always use the Set Schedule/Holiday key, not the Enter key to scroll through the schedule displays. Pressing the ENTER key after viewing Monday will change times programmed for the remainder of the week to the Monday schedule.

If the chiller is not cycled by the Daily Schedule, but is required to run whenever remote cycling devices, system switches, and main Chiller ON/OFF switch are in the ON position, all 00.00s should be programmed into the daily schedule. This can be done manually for individual days or for all days by pressing Cancel and Enter for the Monday Start/Stop schedule.



Programming the DAILY SCHEDULE will not affect the holiday schedule.

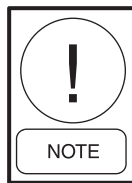
If the chiller is not required to run on a given day, the Start time should be programmed for 00:00 AM and the Stop time programmed for 12:00 AM.

Continue to program each day as needed. After SUN has been entered, the Holiday message will be displayed:

```

HOL  START  =  08 : 30  AM
      STOP   =  12 : 00  PM
    
```

The Holiday (HOL) Start / Stop allows a specific day(s) to be assigned for special requirements. This is provided so that a day(s) needing special start / stop requirements can be programmed without disturbing the normal working schedule. The start / stop times for the Holiday schedule are programmed just as any other day.



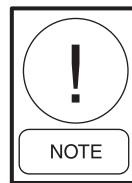
Only one start/stop time can be programmed which will apply to each of the Holiday days selected.

After the Enter key is pressed, a display to designate which days of the week are holidays will appear:

```

S * M T W T F S
HOLIDAY NOTED BY *
    
```

When the display appears, the cursor will first stop after Sunday as shown. To designate a day as a holiday, press the “ * ” key. If a day marked as a holiday is not to be a holiday, press the “ * ” key. When the “ * ” key is pressed, the cursor will advance to the next day. Use the ↑ or ↓ keys to move back and forth among days. After all the holiday days are programmed, press Enter to store the new data. The display will then return to the beginning of the Daily Schedule (MON).



The Holiday Schedule is only executed once, then erased from memory. This avoids the need for reprogramming after the holiday, as most special Holiday Schedule requirements occur only occasionally.

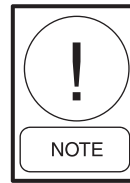
If an error is made while programming or a change is required, press Cancel. This will clear the programmed (*) "Holiday" days (the "0" key will not cancel out a "*" and cannot be used for correcting a programming error).

7.4 MANUAL OVERRIDE KEY

When the Manual Override key is pressed, the Daily Schedule programmed into the chiller is ignored and the chiller will start up when water temperature is above the high limit of the Control Range, the Chiller ON/OFF switch is ON, remote cycling devices are CLOSED, and system switches permit.

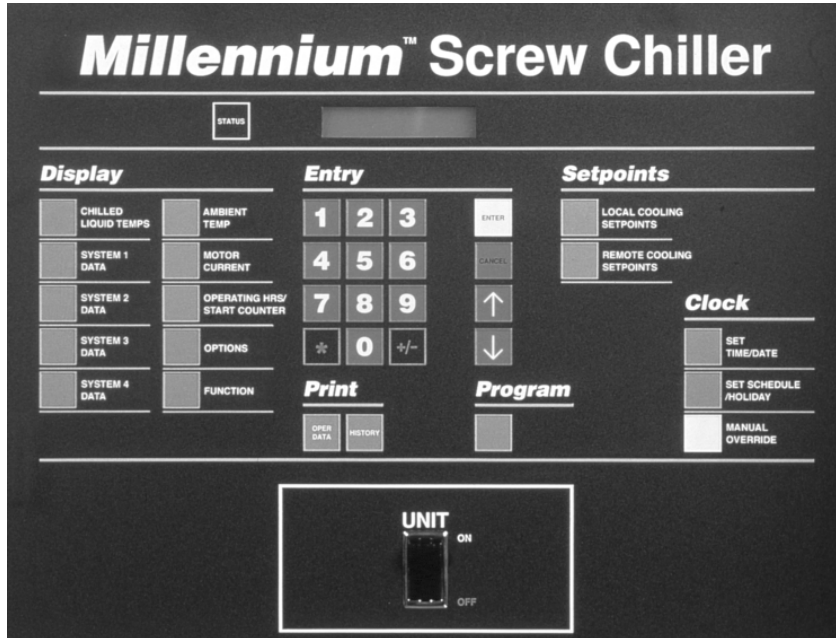
Normally this key is only used for servicing when the chiller is required to run, but the Daily Schedule is in an OFF period. This key avoids the need to reprogram the Daily Schedule. Once activated, Manual Override is only active for a period of 30 minutes and the following status message will be observed:

M A N U A L
O V E R R I D E



If a Warning – Low Battery fault message appears on the display, the internal clock, calendar, and program settings cannot be relied on for accuracy. Default values are loaded into the microprocessor memory and the Manual Override key can be used to zero out the daily schedule and allow unlimited operation regardless of the time on the internal clock. Reprogramming of the setpoints and cutout values may also be necessary. When the MANUAL OVERRIDE key is pressed, the low battery message will disappear. If a power failure should again occur, the above process will again need to be repeated to bring the chiller back on line. See also Section 2.5.

8. PROGRAM KEY



29023A

8.1 GENERAL

The Program key is used to program system operating parameters including cutout points for safeties, anticipatory unload points to avoid faults, and anti-recycle timer duration.

When the Program key is pressed, the following message will be displayed to indicate the display is in the Program Mode:

PROGRAM MODE

Pressing the ENTER Key causes the display to show the operator the language the control panel messages are displayed.

**DISPLAY LANGUAGE
ENGLISH**

The operator may select 7 display message languages. The options are English, Spanish, French, Dutch, Italian, Portuguese, and Chinese. The ↑ or ↓ keys can be used to select the desired language.

Pressing the Enter key repeatedly allows scrolling through the programmable displays.

As each value is displayed, it may be reprogrammed using the 12 Entry keys and ↑↓ Keys. New values will be programmed into memory when the Enter key is pressed and the display will scroll on to the next programmable value.

If an unacceptable value is entered at any stage, the following message is displayed for a few seconds and the entered value is ignored:

**OUT OF RANGE
TRY AGAIN!**

The following section shows examples of each programmable value display in the order in which they appear after pressing the Program key, along with guidance on programming each parameter.



The programmable values under the Program Key must be checked and properly programmed when commissioning the chiller. Failure to properly program these values may cause operating problems or damage to the chiller.

8.2 PROGRAM KEY – USER PROGRAMMABLE VALUES

High Discharge Pressure Cut-Out

**DISCHARGE PRESSURE
CUTOUT = 395.0 PSIG**

The Discharge Pressure Cutout is a microprocessor backup for the mechanical high pressure cutout located in each refrigerant circuit. This safety is bypassed for the first 5 seconds of operation after which if the cutout point is exceeded for 3 seconds, the system will shut down. Normally, air-cooled chillers, such as YCAS chillers,

should have the cutout set at 395 PSIG (27 bar) for R22 and R407C models. The micro will, however, accept values between 200 - 399 PSIG (14 - 28 bar).

To program the Discharge Pressure Cutout, key in the desired value and press the Enter key to store the value into memory and scroll to the next display.

High Discharge Pressure Unload Point

**D I S C H A R G E P R E S S U R E
U N L O A D = 3 6 0 . 0 P S I G**

The Discharge Pressure Unload point is used to avoid a high pressure cutout shutdown by unloading a compressor, if its discharge pressure approaches the cutout value. The chiller can then continue to run automatically at reduced capacity until the cause of the excessive pressure is attended to (e.g. dirty condenser coils) or ceases naturally (e.g. high ambient temperature).

For the first 60 seconds of operation, discharge pressure limiting is disabled. After this time, if discharge pressure exceeds the programmed limit, unloading of the affected compressor will occur until the discharge pressure drops below the programmed limit. The message will be removed and reloading will take place when discharge pressure has dropped to 90% of the programmed unload point.

Typically the unload point should be set 20 - 25 PSIG (1.4 - 1.7 bar) below the below the discharge pressure cutout setting. The micro will accept a range of programmable values between 200 - 399 PSIG (14 - 28 bar).

To program the Discharge Pressure Unload, key in the required setting and press the Enter key to store the value into memory and scroll to the next display.

Low Suction Pressure Cutout

**S U C T I O N P R E S S U R E
C U T O U T = 4 4 . 0 P S I G**

The Low Suction Pressure Cutout protects the evaporator from damage due to ice build up caused by operation at low refrigerant suction pressure.

After the compressor starts, and the pump down cycle is completed (pump down to cutout or 30 seconds, whichever comes first.), suction pressure is monitored as long as the compressor runs. For the first 270 seconds of running, suction pressure can be lower than the programmed cutout, but must be greater than:

$$\text{Programmed Cutout} \times \frac{\text{Run Time}/3 + 10}{100}$$

Example: If programmed Cutout = 44 PSIG (3 bar) and Run Time = 60 seconds

$$\text{New Cutout} = 44 \times \frac{60/3 + 10}{100} = 13.2 \text{ PSIG (0.9 bar)}$$

This cutout value increases with time, until after 270 seconds, it equals the programmed cutout value. If suction pressure falls below the calculated cutout value before 270 seconds, the system will be shut down.

After 270 seconds, a transient timer prevents short term fluctuations in suction pressure from causing shutdown as follows: If suction pressure drops below the cutout point, a 90 second transient timer starts. During the 90 second time period, the suction pressure must be greater than:

$$\text{Programmed Cutout} \times \frac{100 - \text{transient time remaining}}{100}$$

Example: If programmed Cutout = 44 PSIG (3 bar) and the timer has run 30 seconds:

$$\text{New Cutout} = 44 \text{ PSIG} \times \frac{100-60}{100} = 17.6 \text{ PSIG (1.2 bar)}$$

This cutout value increases with time, until after 90 seconds, it equals the programmed cutout value. If the suction pressure rises to more than 5 PSI (0.3 bar) above the programmed cutout value during the 90 second time period, the timer will be reset. If the suction pressure does not rise to more than 5 PSI (0.3 bar) above the cutout, the timer will remain at zero and if the pressure then falls below the cutout again, the system will shut down on a low pressure fault.

If the Dip Switch on the microprocessor board is set for "Water Cooling" (see Section 3.7), the cutout is programmable between 44 - 70 PSIG (3-5 bar) for both R22 and R-407c models. In this mode, settings of 44 PSIG (3 bar) for R22 and R-407C are recommended. If the Switch is set for "Brine Cooling" (glycol) the cutout is programmable between 5 - 70 PSIG (0.3 bar) for R22 and R-407c models. In this mode, the cutout should be

set to the saturated refrigerant pressure equivalent to 18°F (10°C) below the lowest temperature of the programmed chilled liquid Control Range (Section 6).

To program the Suction Pressure Cutout, key in the required setting and press the Enter key to store the value into memory and scroll the next display.

High Ambient Temperature Cutout

**H I G H A M B I E N T T E M P
C U T O U T = 1 3 0 . 0 ° F**

The High Ambient Cutout is used to select the ambient temperature above which the chiller may not operate. If the ambient temperature rises 1°F (.5°C) above this point, the chiller will shut down. Restart will occur automatically, when temperature falls more than 2°F (1°C) below the cutout and cooling demand is present.

This cutout is normally set at 130°F (54°C) to allow operation to the absolute maximum temperature capability of the electromechanical components; however, values between 100.0 - 130.0°F (38 - 54°C) are accepted.

To program the High Ambient Cutout, key in the required setting and press the Enter key to store the value into memory and scroll to the next display.

Low Ambient Temperature Cutout

**L O W A M B I E N T T E M P
C U T O U T = 2 5 . 0 ° F**

The Low Ambient Cutout is used to select the ambient temperature below which the chiller may not operate. If the ambient temperature falls 1°F (.5°C) below this point, the chiller will shut down. Restart will occur automatically, when temperature rises more than 2°F (2°C) above the cutout and cooling demand is present (see also Section 2.5 page 139).

If the SW1 Dip Switch on the Microprocessor Board is set for “Standard Ambient Control” (see Section 3.7) the low ambient cutout is set at 25°F (-4°C) and is NOT programmable. If the Dip Switch is set for “Low Ambient Control”, programming of the cutout between 00.0 - 50.0°F (-17.8 - 10°C) is allowed. This allows higher values than 25°F (-4°C) to be programmed to shut down the chiller when other cooling methods become operational. Values below 25°F (-4°C) can be used for applications requiring chiller operation at lower temperatures. The chiller will not operate below 0°F (-17.8°C).

To program the Low Ambient Cutout, key in the required setting and press the Enter key to store the value into memory and scroll to the next display.

Low Leaving Liquid Temperature Cutout

**L E A V I N G L I Q U I D T E M P
C U T O U T = 3 6 . 0 ° F**

The Low Leaving Liquid Temperature Cutout protects the evaporator from damage due to ice build up caused by operation below the chilled liquid freezing point.

If the leaving chilled liquid temperature (water or glycol) drops below the cutout point, the chiller will shut down. The chiller will restart automatically when temperature rises more than 4°F (2°C) above the cutout point and cooling demand exists.

If the Dip Switch on the microprocessor board is set for “Water Cooling” (see Section 3.7, page 146) the cutout is automatically set at 36°F (2°C) and cannot be reprogrammed. If the Switch is set for “Brine Cooling” (glycol) the cutout can be programmed between 08.0 - 36.0°F (-13 to -2°C). The cutout should normally be set to 4°F (2°C) below the setpoint minus the range, i.e. 34°F (setpoint) – 2°F (range) - 4°F = 28°F (see Section 6, page 158).

To program the Leaving Liquid Temperature Cutout, key in the required setting and press the Enter key to store the value into memory and scroll to the next display.

High Motor Current Unload Point

**H I G H M O T O R C U R R E N T
U N L O A D = 1 0 5 % F L A**

The Motor Current Unload point is used to avoid a high motor current safety shutdown by unloading a compressor, if current draw approaches the maximum limit cutout value. The chiller can then continue to run automatically at reduced capacity until the cause of the excessive current is attended to.

The micro will accept between 30 - 105% for the unload point. The motor current safety will shut the compressor down whenever current exceeds 115%.

If the programmable limit is set between 100% and 105% of full load current, this feature will protect against excessive current causing compressor shutdown due to extremely high ambient, high chilled liquid temperature, and condenser malfunction caused by dirt or fan problems.

If the programmable limit is set below 100% of full load current, this control feature can be used for “demand limiting”. This is important when demand limiting is critical due to power requirements or limitations in the building (See also Section 1.10).

For the first 60 seconds of operation, the unloading control is disabled. After this time, if motor current exceeds the programmed limit, the SYS X CURR LIMITING message will appear on the display and a 1 second unload pulse will be sent to the slide valve of the affected compressor every 5 seconds, until the motor current drops below the programmed limit. The message will be removed and additional loading will take place when motor current drops below 90% of the programmed threshold.

Typically, this setpoint should be set at 100% for maximum motor protection. Programming for 100% is recommended. When programming values below 100%, the use of a leading “0” is required, e.g. 085%.

To program the High Motor Current Unload, key in the required setting and press the Enter key to store the value into memory and scroll to the next display.

```

ANTI RECYCLE TIMER
= 600 SECS

```

The Anti-Recycle Timer controls the minimum time between starts for each compressor. This is the time available for the heat build-up caused by inrush current at start to be dissipated before the next start. Insufficient cooling time between starts can cause heat build-up and motor damage. A fast compressor start response is needed in some applications and not in others. Although the minimum setting allowed on this timer will avoid excessive heat build up, adjusting the timer for the longest period acceptable in each application will reduce cycling and maximize motor life. **600 seconds is recommended.**

The micro will accept a range of programmable values between 300 - 600 seconds.

To program the Anti-Recycle Time, key in the required setting and press the Enter key to store the value into memory and scroll to the next display.

```

SUCTION SUPERHEAT
SETPOINT = 12.0 ° F

```

The EEV superheat setpoint is programmable. The setpoint can be programmed for 9.0°F (5.0°C) to 15°F (8.3°C) with 12.0°F (6.6°C) as the default.

Local/Remote Communications

```

LOCAL / REMOTE MODE
LOCAL

```

The panel can be programmed for “Local” or “Remote” communications. “Local” mode allows monitoring only through the RS-485 port. “Remote,” allows an external device such as an ISN or Remote Control Center to change setpoints and programming points, as well as monitoring chiller parameters.

The $\uparrow\downarrow$ keys are used to change from Local to Remote. The ENTER Key must be pressed to save the selection in memory.

Imperial/SI Units Display

```

DISPLAY UNITS
IMPERIAL

```

This allows the operator to select messages to display Imperial Units (PSIG, °F, etc.) or SI (Scientific International, Bars, °C, etc.).

The $\uparrow\downarrow$ keys are used to change from Imperial to SI units. The ENTER Key must be pressed to save the selection in memory.

Automatic/Manual “Lead/Lag”

```

LEAD / LAG CONTROL
AUTOMATIC

```

The chiller may be selected for manual lead/lag or automatic lead/lag. In some cases the operator may want to manually select the system that is desired to be the lead system. In most cases, automatic lead/lag is selected to allow the micro to attempt to balance run time between the system. Details of manual and automatic lead / lag operation are outlined in Section 1.21.

The $\uparrow\downarrow$ keys are used to change from Automatic to Manual lead/lag. The ENTER key must be pressed to save the selection in memory.

If manual control is desired, press the ↑ or ↓ key. One of the following messages will be displayed:

```
LEAD / LAG CONTROL
MANUAL SYS 1 LEAD
```

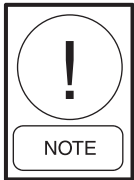
```
LEAD / LAG CONTROL
MANUAL SYS 2 LEAD
```

System 1 or 2 can be selected as the lead by pressing the ↑ or ↓ key. The ENTER key must be pressed to save the selection in memory.

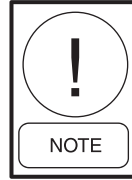
Automatic/Manual Power Failure Restart

```
POWER FAIL RESTART
AUTOMATIC
```

The chiller may be selected for “Automatic” or “Manual” restart after a power failure. In most instances, “Automatic Restart” is preferred to allow the chiller to automatically restart when power is reapplied after a power failure. When “Manual” is selected, the chiller will not operate after re-application of power until the ON / OFF Rocker Switch on the keypad is cycled OFF and then ON.



In most applications, it is undesirable to use Manual Reset on power failure since chillers normally are required to auto-restart after a power failure.



It is often easier to select Default Setpoints and then reprogram a few that require changing rather than programming each individual value from scratch.

Press the Program key again, key in the numbers “6140”, then press Enter. As the code is being keyed in, the digits are not displayed but are shown as “*” as shown:

```
PROGRAM MODE
* * * *
```

When the Enter key is pressed, the following message will appear:

```
DEFAULT SETPOINTS ?
1 = YES , 0 = NO, 1
```

Key in a “1” for if default setpoints are required, or a “0” for individually programmed values, then press Enter to store the selection into memory.

If individual programming is selected (0), the display will now return to the Status display. If a default setpoints have been selected, the display will momentarily display the message shown below before returning to the Status display:

```
PROGRAM OPTIONS SET
TO DEFAULT VALUES
```

8.3 PROGRAMMING "DEFAULT" VALUES

Programmable values may be individually programmed at start-up or any time thereafter. For ease of programming, once the type of refrigerant is programmed under the Program key and in the Service Mode, a “defaults password” may be programmed to automatically program default values into memory. This will preset all programmable values under the Program key to values that will allow operation of the chiller under most operating conditions. This allows quick start-up programming for typical chilled water applications.

To program the default values into memory, first press the PROGRAM key followed by the ENTER key, to program the “refrigerant type” .

The default values shown below are entered into memory, when the program option is selected. The list also provides the low and high limits the micro will accept.

Program Value	Mode	Low Limit	High Limit	Default
Display Language	--	NA	NA	English
Discharge Pressure Cutout	--	200 PSIG	399 PSIG	399 PSIG
		13.8 Bars	27.5 Bars	27.5 Bars
Discharge Pressure Unload	--	200 PSIG	399 PSIG	375 PSIG
		13.8 Bars	27.5 Bars	25.9 Bars
Suction Pressure Cutout	Water Cooling	44.0 PSIG	70.0 PSIG	44.0 PSIG
		3.03 Bars	4.83 Bars	30.3 Bars
	Glycol Cooling	5.0 PSIG	70.0 PSIG	44.0 PSIG
		0.34 Bars	4.83 Bars	3.03 Bars
High Ambient Air Temp Cutout	--	100.0 °F	130.0 °F	130.0 °F
		37.8 °C	54.4 °C	54.4 °C
Low Ambient Air Temperature Cutout	Standard Ambient	--	--	25.0 °F
		--	--	-3.9
	Low Ambient	0 °F	50.0 °F	25.0 °F
		-17.8 °C	10.0 °C	-3.9 °C
Leaving Chilled Liquid Temp Cutout	Water Cooling	--	--	36.0
		--	--	2.2
	Glycol Cooling	8.0 °F	36.0 °F	36.0 °F
		-13.3 °C	2.2 °C	2.2 °C
	Low Temp Glycol	-5.0 °F	36.0 °F	36.0 °F
		-20.5 °C	2.2 °C	2.2 °C
High Motor Current Unload	--	30%	105%	100
Anti Recycle Time	--	300 sec	600 sec	600 sec
Local / Remote Mode	--	NA	NA	Local
Units Mode	--	NA	NA	Imperial
Lead / Lag Control Mode	--	NA	NA	Automatic
Power Failure Restart Mode	--	NA	NA	Automatic
Motor Current Averaging Cutout	--	30% FLA	110% FLA	70 % FLA
Suction Superheat Setpoint	EEV	9.0 °F	15.0 °F	12.0 °F
		5.0 °C	8.3 °C	6.6 °C

8.4 ELECTRONIC EXPANSION VALVE

ELECTRONIC EXPANSION VALVE

The Electronic Expansion Valve (EEV) is an electronically controlled expansion valve. The control algorithms to control the EEV reside in the microprocessor software. The superheat setpoint can be programmed on the control panel.

The purpose of the EEV is to meter a flow of liquid refrigerant into the evaporator to maintain a superheat

setpoint. The refrigerant flow direction is designated by an arrow on the expansion valve body.

There are two safeties associated with the EEV; Low Superheat Cutout and Sensor Failure Cutout.

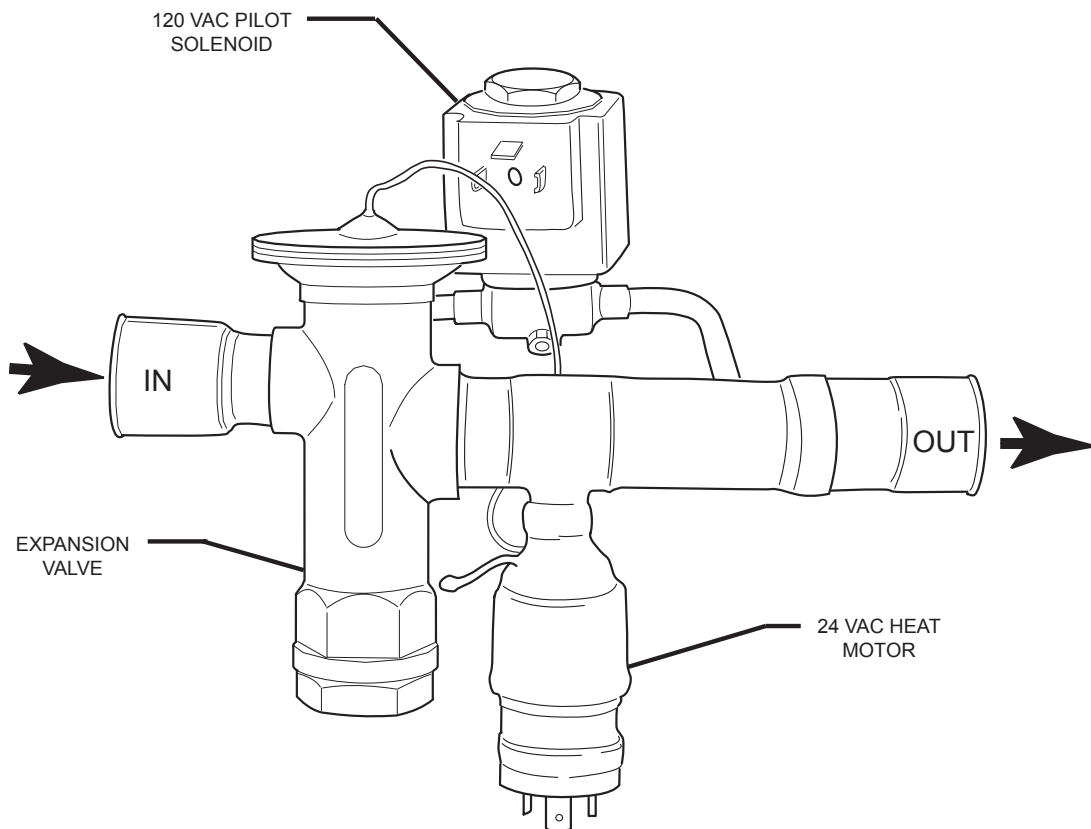


FIG. 50 – ELECTRONIC EXPANSION VALVE

LD09132

8.5 EEV OPERATION

EEV OPERATION

The EEV is an electronically controlled expansion valve that meters a flow of liquid refrigerant into the evaporator to control superheat. The refrigerant flow direction is designated by an arrow on the expansion valve body.

24VAC HEAT MOTOR

The 24VAC Heat Motor is fed from the EEV output board in the control panel. The Heat Motor allows the micro to open and close the valve to control suction superheat.



The heat motor must be plugged into the 24 volt shielded cable feed from the EEV output board. Damage to the heat motor will occur if it is plugged into 120VAC wiring for the Pilot Solenoid.

CONTROLLER

When EEV is selected as the expansion valve type via DIP switch on the micro board, the EEV controller will become active. When TXV is selected, the EEV output will be fixed at 0 and the low superheat and sensor failure safeties will be disabled.

The EEV controller is a PI (Proportional plus Integral) controller. Gain scheduling varies the proportional gain based on the superheat error. As the superheat error gets smaller the proportional gain will get smaller. The integration time is adjusted to increase the controller response during start-up and low superheat conditions.

The output from the PI controller is the EEV output percentage which is shown on the display and printouts. This output is then fed into a model of the ETRE bulb/heat motor to over and under drive the heat motor for faster valve response. The output of this ETRE model is the PWM percentage that will be sent to the ETRE heat motor. This PWM output is the percentage of a 1 second period that the 24VAC heat motor power signal is energized.

MOP FEATURE

The controller also has an MOP feature (Maximum Operating Pressure) that overrides superheat control when the MOP setpoint is exceeded. This control generally will be active for hot water starts. The MOP setpoint is 60° F Saturated Suction Temperature.

The MOP feature is also used to prevent undershoot of the superheat setpoint when the suction temperature of a system being started is much higher than the return water temperature. This provides better startup superheat control for high ambient, low water temp startups when the superheat measurement is artificially high due to the warm suction line. If the return water temp sensor is in range, run time is less than 5 minutes, and suction temperature is greater than (RCHLT + 3° F), the MOP setpoint is reset to RCHLT - Superheat Setpoint. If this value is higher than the fixed MOP setpoint, the original setpoint is retained.

VALVE PREHEAT FEATURE

The heat motor is preheated for moderate and low ambient standby conditions. When the ambient is below 25° F, the heat motor is preheated with a 25% duty cycle. This preheated value is ramped from 25% to 0% from 25° F to 50° F. When the ambient is above 50° F the heat motor is not preheated.

PILOT SOLENOID (LLSV) CONTROL

The Pilot Solenoid allows the EEV to be used in the same way as a Liquid Line Solenoid Valve. When the Pilot Solenoid is turned off, the EEV closes immediately and prevents the Heat Motor from opening the valve.

Each system has a Pump Down feature upon shut off. Manual pump down from the keypad is not possible. On a non-safety, non-unit switch shutdown, the system will fully unload. The Pilot Solenoid will be turned off and the system will run unloaded until the suction pressure falls below the cutout or for 180 seconds, whichever comes first.

The Pilot Solenoid is also used as a low superheat safety device when EEV is selected as the expansion valve type, for YCAL units only. While the system is running and not in a pumpdown mode the Pilot Solenoid will close if the suction superheat falls below 4.0° F. The Pilot Solenoid will open again when the superheat rises above 7.0° F. This safety device is ignored for the first 30 seconds of system run time. If the Pilot Solenoid is closed 10 times in 2 minutes on the safety device, the low superheat safety will be triggered.

LOW SUPERHEAT CUTOUT SAFETY

The Low Superheat Cutout is to protect the compressors from liquid floodback due to low suction superheat. This safety is only active when EEV is selected as the expansion valve type. This safety is ignored for the first 30 seconds of system run time.

This safety can be triggered by two events. The first is when the suction superheat is less than 0.5° F (1.1°C) for 3 seconds. The second, only applies to YCAL units, is when the Pilot Solenoid is closed 10 times in 2 minutes due to low superheat. Following are the safety fault messages for all systems:

```
SYS 1 LOW SUPERHEAT
SYS 2 LOW SUPERHEAT
```

SENSOR FAILURE CUTOUT SAFETY

The Sensor Failure Cutout is to prevent the EEV from running when the sensors measuring superheat are not functioning properly. This safety is only active when EEV is selected as the expansion valve type. This safety is ignored for the first 15 seconds of system run time.

This safety will shutdown a system if either suction temperature or suction pressure sensors read out of range high or low. This condition must be present for 3 seconds to cause a system shutdown. This safety will lock out a system the first time and will not allow automatic restarting. Following are the messages for all systems:

```
SYS 1 SENSOR FAILURE
SYS 2 SENSOR FAILURE
```

OPERATING DATA DISPLAYS

The following display relating to EEV operation is available under each systems Data Key: EEV Output% and Suction Superheat.

```
SYS X EEV = XXX.X %
SUCTION SHEAT = XXX.X °F
```

HISTORY DATA DISPLAYS

The following display relating to EEV operation is available under each systems Data Key: EEV Output% and Suction Superheat.

```
SYS X EEV = XXX.X %
SUCTION SHEAT = XXX.X °F
```

OPERATING DATA PRINTOUT

Pressing the PRINT key and then the OPER DATA key allows the operator to obtain a printout of current system operating parameters. When the OPER DATA key is pressed, a snapshot will be taken of system operating conditions and panel programming selections. This data will be temporarily stored in memory and transmission of this data will begin to the printer. The following items are added to the standard operational data printout when EEV is selected:

SYSTEM 1 DATA	
COMPRESSORS STATUS	OFF
RUN TIME	0- 0- 0- 0 D-H-M-S
MOTOR CURRENT	0 AMPS 0 %FLA
SUCTION PRESSURE	125 PSIG
DISCHARGE PRESSURE	131 PSIG
OIL PRESSURE	130 PSIG
FAN DISCHARGE PRESS	254 PSIG (B HR)
SUCTION TEMPERATURE	68.4 DEGF
DISCHARGE TEMPERATURE	68.8 DEGF
OIL TEMPERATURE	68.8 DEGF
SAT SUCTION TEMP	71.8 DEGF
SUCTION SUPERHEAT	3.4 DEGF
SAT DISCHARGE TEMP	74.5 DEGF
DISCHARGE SUPERHEAT	6.3 DEGF
SLIDE VALVE STEP	0
EEV OUTPUT	0.0 % (EEV)
COOLER INLET REFRIG	44.6 DEGF
LIQUID LINE SOLENOID	OFF
ECONOMIZER TXV SOLENOID	OFF (YCAS)
OIL COOLING SOLENOID	OFF (YCWS)
HEAT RECOVERY SOLENOID	OFF (B HR)
DISCHARGE COOLING SOLENOID	OFF (EC, LT)
CONDENSER FAN STAGE	OFF
COMPRESSOR HEATER	ON
WYE-DELTA RELAY	OFF

8.6 EEV PROGRAMMING

EXPANSION VALVE OPTIONS DISPLAY

When the expansion valve type is set to thermostatic by opening DIP switch #7, the EEV controller, low superheat safety device, low superheat safety and the sensor failure safety will be disabled. The EEV output will be set to 0.

**S1 - 7 E X P A N S I O N V A L V E
T H E R M O S T A T I C**

When the expansion valve type is set to electronic by closing DIP switch #7, the EEV controller, low superheat safety device, low superheat safety and the sensor failure safety will be enabled.

**S1 - 7 E X P A N S I O N V A L V E
T H E R M O S T A T I C**

The Expansion Valve type selection is viewable under the OPTIONS key.

PROGRAM MODE DISPLAYS

The following value is programmable under the PROGRAM key (See Table 2).

- System Suction Superheat Setpoint (9.0°F to 15.0°F)
(5.0°C to 8.3°C)

**S U C T S U P E R H E A T
S E T P O I N T = X X . X ° F**

TABLE 2 – PROGRAMMABLE VALUES TABLE (MINIMUM/MAXIMUM)

PROGRAM VALUE	MODE	LOW LIMIT	HIGH LIMIT	DEFAULT
SUPERHEAT SETPOINT	EEV	9.0°F (5.0°C)	15.0°F (8.3°C)	12.0°F (6.6°C)

8.7 EEV TROUBLESHOOTING

TROUBLESHOOTING

Below are problems and possible solutions or items to check.

• The system shuts down on Low Suction Pressure

- Verify that all refrigerant valves are open.
- Verify that the system is not low on charge.
- Verify that the Expansion Valve Type is set to Electronic.
- Verify that the pilot solenoid is energizing (use Service Mode to manually energize the solenoid coil).
- Verify that the EEV is wired per the elementary diagram.
- Verify that the Heat Motor is getting a 24VAC PWM signal. (Use Service Mode to manually energize the EEV output.
- If everything checks out, it is possible that the EEV has failed. If the small charge in the bulb leaks, the valve will not be able to open and the entire EEV must be replaced.

• The system shuts down on Low Superheat

- Verify that the suction temperature sensors are properly installed. They should be located at 4 or 8 o'clock on the suction line. They should not be located near the outlet of the evaporator. They should be installed with copper straps and be well insulated.
- Verify that the suction temperature sensor cables are not swapped between systems (unplugging one sensor at a time with the chiller off can verify proper wiring).
- Verify that the EEV heat motor is properly insulated.
- For units with Hot Gas Bypass installed, check that the Hot Gas Bypass valve is set correctly.
- For glycol units, verify that the glycol % is correct.

8.8 CONDENSER FAN CONTROL

The chiller is equipped with 8 or 10 condenser fans, with 4 or 5 fans per system as given below. Fan control is via Outside Ambient Temperature (OAT) and Discharge Pressure (DP). There are 4 or 5 stages of fan control, utilizing 3 outputs per system. The fan stages will work according to Table 3 and 4 depending on the number of fans per system. There will be a variable delay between all fan stages. The delay between turning on fan stages is based on the ambient temperature. The time is ramped from 30 seconds at 10°F (-12.2°C) to 5 seconds at 60°F (15.6°C) (time delay = $(35 - (oat/2))$).

Condenser fan ON conditions are governed solely by the Discharge Pressure (DP). When the DP rises above 230 PSIG, fan stage 1 is activated. From here, subsequent fan stages are activated as the DP rises in increments of 10 - 20 PSIG. The system will remain at the highest fan stage reached unless the OFF conditions are satisfied.

Condenser fan OFF conditions are governed by both the DP and OAT. Fan staging will be decreased from the highest fan stage reached if both the DP and OAT requirements are met. For example, if a system is at a fan stage of 4, and the DP falls under 205 PSIG and the OAT drops below 75°F (24°C), the fan stage will be reduced to 3.

Tables 3 and 4 describe fan operation and contactor data for the fans involved in each fan stage. SYS 1 uses relay board #1. SYS 2 uses relay board #2.

YCAS0130, 0140, 0150, 0160, 0170 and 0190 models have 4 condenser fans/system:

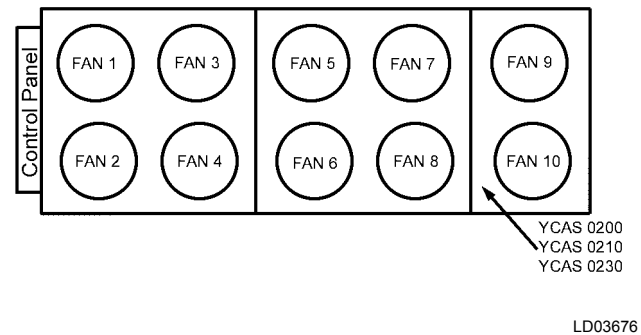


FIG. 51 – CONDENSER FAN LAYOUT FOR DXST 2 COMPRESSOR UNITS

TABLE 3 – CONDENSER FAN CONTROL AND FAN CONTACTOR DATA FOR DXST UNITS WITH 4 FANS/SYSTEM

	Fan Stage	Fans	ON * ** Conditions DP	OFF * Conditions DP & OAT	Fan Contactor	Wire Number	Relay Board Output*
S	1	1	>230 PSIG	<160 PSIG & <60°F	9M	130	15
Y	2	5 & 7	>250 PSIG	<180 PSIG & <65°F	11M & 12M	132	10
S	3	1, 5, & 7	>265 PSIG	<195 PSIG & <70°F	9M, 11M, & 12M	130 & 132	10 & 15
1	4	1, 3, 5, & 7	>275 PSIG	<205 PSIG & <75°F	9M, 10M, 11M, & 12M	130, 131, & 132	10, 14, & 15
S	1	2	>230 PSIG	<160 PSIG & <60°F	15M	230	15
Y	2	6 & 8	>250 PSIG	<180 PSIG & <65°F	17M & 18M	232	10
S	3	2, 6, & 8	>265 PSIG	<195 PSIG & <70°F	15M, 17M, & 18M	230 & 232	10 & 15
2	4	2, 4, 6, & 8	>275 PSIG	<205 PSIG & <75°F	15M, 16M, 17M, & 18M	230, 231, & 232	10, 14, & 15

* Sys 1 Outputs are on Relay Output Board #1
Sys 2 Outputs are on Relay Output Board #2

** At ambients above 85°F, Stages 3 and 4 will both turn on at 240 PSIG.

TABLE 4 – CONDENSER FAN CONTROL AND FAN CONTACTOR DATA FOR DXST UNITS WITH 5 FANS/SYSTEM

	Fan Stage	Fans	ON * ** Conditions DP	OFF * Conditions DP & OAT	Fan Contactor	Wire Number	Relay Board Output*
S	1	1	>230 PSIG	<160 PSIG & <60°F	9M	130	15
Y	2	7 & 9	>250 PSIG	<180 PSIG & <65°F	12M & 13M	132	10
S	3	1, 7, & 9	>265 PSIG	<195 PSIG & <70°F	9M, 12M, & 13M	130 & 132	10 & 15
1	4	3, 5, 7, & 9	>275 PSIG	<205 PSIG & <75°F	10M, 11M, 12M, & 13M	131 & 132	14 & 15
1	5	1, 3, 5, 7, & 9	>285 PSIG	<210 PSIG & <80°F	9M, 10M, 11M, 12M, & 13M	130, 131, & 132	10, 14, & 15
S	1	2	>230 PSIG	<160 PSIG & <60°F	15M	230	15
Y	2	8, & 10	>250 PSIG	<180 PSIG & <65°F	18M & 19M	232	10
S	3	2, 8, & 10	>265 PSIG	<195 PSIG & <70°F	15M, 18M, & 19M	230 & 232	10 & 15
2	4	4, 6, 8, & 10	>275 PSIG	<205 PSIG & <75°F	16M, 17M, 18M, 19M	231 & 232	14 & 15
2	5	2, 4, 6, 8, & 10	>285 PSIG	<210 PSIG & <80°F	15M, 16M, 17M, 18M, & 19M	230, 231, & 232	10, 14, & 15

* Sys 1 Outputs are on Relay Board #1
Sys 2 Outputs are on Relay Output Board #2

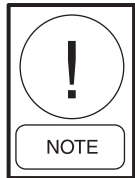
** At ambients above 85°F, Stages 3, 4 and 5 will both turn on at 240 PSIG.

8.9 SERVICE MODE: UNIT SETUP

The Service Mode allows programming unit set-up values. These values are programmed before the chiller leaves the factory and typically should never be changed.



Catastrophic failure of chiller components can occur if the set-up values are improperly programmed. If for some reason these values need to be checked or changed, care should be exercised.



Whenever an EPROM is changed, the programmed values should be recorded prior to removing the old EPROM. These values should then be checked and programmed into the micro when the new EPROM is installed.

Setup values may be checked in the Service Mode by pressing the PROGRAM, 5144, and ENTER keys. Table 5 lists the value and the program range that will be accepted.

**TABLE 5 – SERVICE MODE
PROGRAMMABLE VALUES**

SETUP MODE VALUE	PROGRAMMABLE RANGE
Refrigerant Type	R-22 or R-407C
R-407C Chiller Type	Optimized or Drop-in
Unit Type	YCAS or YCWS **
Heat Recovery Unit	Enabled or Disabled ***
Sys 1 100% Full Load Amps	75 to 500 Amps *
Sys 2 100% Full Load Amps	75 to 500 Amps *
Sys 1 Motor Protector Input	1.0 to 5.0 volts *
Sys 2 Motor Protector Input	1.0 to 5.0 volts *
Oil Cooling On	167 to 203 °F 180 °F default ****
Oil Cooling Diff	9 to 18 °F 9 °F default ****
Discharge Cooling On	176.0 to 239.0 °F 212.0 °F default
Discharge Cooling Diff	7.2 to 27.0 °F 18 °F default
Data Logging Mode	OFF or ON
Data Logging Timer	6 to 60 seconds
Sys 1 Operating Hours	0 to 99,999
Sys 2 Operating Hours	0 to 99,999
Sys 1 Starts	0 to 99,999
Sys 2 Starts	0 to 99,999
Clear History Buffer	YES or NO

NOTE:

* See Table 6 or 7 for programming system 100% Full Load Amps and System Motor Protector input voltage. Also assure that the correct number of wires per phase pass through each C.T. The C.T. is built internally into the 2ACE motor protector.

** The chiller must always be programmed for YCAS

*** Heat recovery must always be disabled.

**** Oil and discharge cooling is only utilized on special low temp chiller.

TABLE 6 – YCAS STYLE G, ACROSS THE LINE START - 60 HZ.

MODEL NO.	VOLTAGE CODE	CHILLER NAMEPLATE RLA	NO. OF LEADS PER PHASE THRU CT.	100% FLA OF SYSTEM	MP INPUT VOLTAGE
130	17	246	*2	266	3.65
	28	214	*2	231	3.2
	40	130	2	140	3.89
	46	107	1	116	3.2
	58	86	1	93	2.58
140	17	267	*4	288	1.99
	28	232	*2	251	3.49
	40	140	2	151	4.2
	46	116	1	125	3.49
	58	93	1	100	2.78
150 SYS 1	17	295	*4	319	2.2
	28	256	*4	276	1.91
	40	155	2	167	4.64
	46	128	2	138	3.84
	58	103	1	111	3.09
150 SYS 2	17	265	*4	286	1.97
	28	230	*2	248	3.44
	40	139	2	150	4.18
	46	115	1	124	3.44
	58	92	1	99	2.75
160	17	295	*4	319	2.2
	28	256	*4	276	1.91
	40	155	2	167	4.64
	46	128	2	138	3.84
	58	103	1	111	3.09
170 SYS 1	17	321	*4	347	2.4
	28	279	*4	301	2.09
	40	169	*2	182	2.53
	46	140	2	151	4.2
	58	112	1	121	3.35
170 SYS 2	17	295	*4	319	2.2
	28	256	*4	276	1.91
	40	155	2	167	4.64
	46	128	2	138	3.84
	58	103	1	111	3.09
180	17	321	*4	347	2.4
	28	279	*4	301	2.09
	40	169	*2	182	2.53
	46	140	2	151	4.2
	58	112	1	121	3.35

* Indicates one lead/phase through motor protector.

TABLE 6 – YCAS STYLE G, ACROSS THE LINE START - 60 HZ. (CONT'D)

MODEL NO.	VOLTAGE CODE	CHILLER NAMEPLATE RLA	NO. OF LEADS PER PHASE THRU CT.	100% FLA OF SYSTEM	MP INPUT VOLTAGE
200	17	342	*4	369	2.55
	28	298	*4	322	2.24
	40	181	*2	195	2.71
	46	149	2	161	4.46
	58	119	1	129	3.58
210 SYS 1	17	374	*4	404	2.8
	28	325	*4	351	2.44
	40	197	*2	213	2.95
	46	163	*2	176	2.44
	58	130	2	140	3.89
210 SYS 2	17	342	*4	369	2.55
	28	298	*4	322	2.24
	40	181	*2	195	2.71
	46	149	2	161	4.46
	58	119	1	129	3.58
230	17	374	*4	404	2.8
	28	325	*4	351	2.44
	40	197	*2	213	2.95
	46	163	*2	176	2.44
	58	130	2	140	3.89

* Indicates one lead/phase through motor protector.

TABLE 7 – YCAS STYLE G, WYE DELTA START - 60 HZ.

MODEL NO.	VOLTAGE CODE	CHILLER NAMEPLATE RLA	NO. OF LEADS PER PHASE	100% FLA OF SYSTEM	MP SET POINT VOLTAGE
130	17	246	*4	266	2.13
	28	214	*2	231	3.71
	40	130	2	140	3.89
	46	107	2	116	3.20
	58	86	2	93	2.58
140	17	267	*4	288	2.31
	28	232	*4	251	2.00
	40	140	2	151	4.20
	46	116	2	125	3.46
	58	93	2	100	2.8
150 SYS 1	17	295	*4	319	2.56
	28	256	*4	276	2.22
	40	155	2	167	4.64
	46	128	2	138	3.84
	58	103	2	111	3.09
150 SYS 2	17	265	*4	286	2.31
	28	230	*4	248	2.00
	40	139	2	150	4.18
	46	115	2	124	3.44
	58	92	2	99	2.75
160	17	295	*4	319	2.56
	28	256	*4	276	2.22
	40	155	2	167	4.64
	46	128	2	138	3.84
	58	103	2	111	3.09
170 SYS 1	17	321	*4	347	2.8
	28	279	*4	301	2.42
	40	169	*2	182	2.93
	46	140	2	151	4.20
	58	112	2	121	3.35
170 SYS 2	17	295	*4	319	2.56
	28	256	*4	276	2.22
	40	155	2	167	4.64
	46	128	2	138	3.84
	58	103	2	111	3.09
180	17	321	*4	347	2.8
	28	279	*4	301	2.42
	40	169	*2	182	2.93
	46	140	2	151	4.20
	58	112	2	121	3.35

* Indicates one lead/phase through motor protector.

TABLE 7 – YCAS STYLE G, WYE DELTA START - 60 HZ. (CONT'D)

MODEL NO.	VOLTAGE CODE	CHILLER NAMEPLATE RLA	NO. OF LEADS PER PHASE THRU CT.	100% FLA OF SYSTEM	MP INPUT VOLTAGE
200	17	342	*4	369	2.98
	28	298	*4	322	2.60
	40	181	*2	195	3.15
	46	149	2	161	4.47
	58	119	2	129	3.58
210 SYS 1	17	374	*4	403	3.24
	28	325	*4	351	2.82
	40	197	*2	213	3.42
	46	163	*2	176	2.84
	58	130	2	140	3.89
210 SYS 2	17	342	*4	369	2.98
	28	298	*4	322	2.60
	40	181	*2	195	3.15
	46	149	2	161	4.47
	58	119	2	129	3.58
230	17	374	*4	403	3.24
	28	325	*4	351	2.82
	40	197	*2	213	3.42
	46	163	*2	176	2.84
	58	130	2	140	3.89

* Indicates one lead/phase through motor protector.

SERVICE MODE: VIEWING INPUTS AND OUTPUTS

All digital and analog inputs and digital outputs can be viewed by pressing the FUNCTION key and the pressing of the OPER DATA key. The UP and DOWN arrow keys can then be used to scroll through the inputs and outputs.

Each analog input will display the name of the measured value, the input plug/pin number on the microboard, the voltage read on the input, and the voltage converted to pressure or temperature. An example is shown below:

```
SYS 1 SUCT PR J13-7
X.X VDC = XXXX PSIG
```

Each digital input will display the name of the measured value, the input plug/pin number on the micro board, and the state of the input (ON or OFF). An example is shown below:

```
SYS 1 RUN PERM
J4-5 IS OFF
```

Each digital output will display the name of the item controlled by the output, the output plug/pin number on the microboard and the state of the output (ON and OFF). An example is shown below:

```
SYS 1 LLSV
J7-3 IS OFF
```

SERVICE MODE: OUTPUT ENABLE

The Service Mode allows the user to enable and disable the outputs (except compressor). To enter the Service Mode, turn the UNIT switch off and press PROGRAM, 9675, ENTER. A message will be displayed for 2 seconds indicating that the service mode has been enabled. Service Mode will time out after 60 minutes and return to the normal mode. Service mode can also be disabled by turning the UNIT switch on or by powering the 115 VAC off and on.

Once Service Mode is entered, all of the outputs will be turned off. The outputs can be turned on by pressing.

FUNCTION and then the OPER DATA key and scrolling past the input displays to the output displays. The arrow keys are used to scroll forward and backwards in the displays, while the ENTER key is used to toggle the outputs on and off. Only one output will be allowed on at a time. The only exception will be the compressors which cannot be turned on and off in this mode.

8.10 SENSOR CALIBRATION CHARTS

Leaving Chilled Liquid Temperature and Return Chilled Liquid Temperature Sensors

Temperature °F (°C)	Voltage VDC
14° (-10°)	1.45
18° (-7.8°)	1.57
21° (-6.1°)	1.69
25° (-3.9°)	1.80
28° (-2.2°)	1.93
32° (0.0°)	2.05
36° (2.2°)	2.17
39° (3.9°)	2.30
43° (6.1°)	2.42
46° (7.8°)	2.54
50° (10°)	2.66
68° (20°)	3.22
86° (30°)	3.69
104° (40°)	4.05

TEST POINTS:

Leaving Water Microboard J11-7/1
 Return Water Microboard J11-8/2

Ambient Temperature Sensor

Temperature °F (°C)	Voltage VDC
14° (-10°)	0.97
23° (-5°)	1.20
32° (0.0°)	1.45
41° (5°)	1.72
50° (10°)	2.00
59° (15°)	2.29
68° (20°)	2.58
77° (25°)	2.85
86° (30°)	3.11
95° (35°)	3.35
104° (40°)	3.57

TEST POINT:

Test Point..... Microboard J11-9/3

Oil & Discharge Temperature Sensors

Temperature °F (°C)	Voltage VDC
32° (0°)	0.282
50° (10°)	0.447
68° (20°)	0.676
86° (30°)	0.976
104° (40°)	1.34
122° (50°)	1.76
140° (60°)	2.20
158° (70°)	2.63
176° (80°)	3.04
194° (90°)	3.40
212° (100°)	3.71
230° (110°)	3.96
248° (120°)	4.17
266° (130°)	4.33
284° (140°)	4.46
302° (150°)	4.57

TEST POINTS:

Oil Temperature:

System 1: Extension-board J10-7/3
 System 2: Extension-board J10-6/2

Discharge Temperature:

System 1: Extension-board J8-4/1
 System 2: Extension-board J8-6/3

Pressure Transducers

0 - 200 PSIG Transducer		0 - 400 PSIG Transducer	
Pressure PSIG	Voltage VDC	Pressure PSIG	Voltage VDC
0	0.5	0	0.5
25	1.0	50	1.0
50	1.5	100	1.5
75	2.0	150	2.0
100	2.5	200	2.5
125	3.0	250	3.0
150	3.5	300	3.5
175	4.0	350	4.0
200	4.5	400	4.5

Red Wire = 5V, Black wire = 0V, White/Green Wire = signal

TEST POINTS:

Suction Pressure:

System 1: Microboard J13-7/1
 System 2: Microboard J14-7/1

Oil Pressure:

System 1: Microboard J13-8/3
 System 2: Microboard J14-8/3

Discharge Pressure:

System 1: Microboard J15-8/3
 System 2: Microboard J15-7/1

8.11 CONTROL INPUTS/OUTPUTS

Tables 8 through 14 are a quick reference list providing the connection points and a description of the inputs and outputs respectively. All input and output connections pertain to the connections at the microboard, relay, or I/O Board.

TABLE 8 - DIGITAL OUTPUTS

Microboard / Relay Board 1	J7-1 / TB1-20	Sys 1 Compressor
Microboard / Relay Board 1	J7-2 / TB1-19	Sys 1 Compressor Heater
Microboard / Relay Board 1	J7-3 / TB1-18	Sys 1 Liquid Line Solenoid Valve
Microboard / Relay Board 1	J7-4 / TB1-17/16	SPARE
Microboard / Relay Board 1	J7-5 / TB1-15	Sys 1 Condenser Fans Output 1
Microboard / Relay Board 1	J7-6 / TB1-14	Sys 1 Condenser Fans Output 2
Microboard / Relay Board 1	J9-1 / TB1-10	Sys 1 Condenser Fans Output 3
Microboard / Relay Board 1	J9-2 / TB1-9	Sys 1 Economizer TXV Solenoid
Microboard / Relay Board 1	J9-3 / TB1-8	Sys 1 Wye Delta Relay
Microboard / Relay Board 1	J9-4 / TB1-7	SPARE
Microboard / Relay Board 1	J9-5 / TB1-6/5	Evaporator Heater
Microboard / Relay Board 1	J9-6 / TB1-4/3	Sys 1 Alarm
Microboard / Relay Board 2	J10 / TB1-20	Sys 2 Compressor
Microboard / Relay Board 2	J10-2 / TB1-19	Sys 2 Compressor Heater
Microboard / Relay Board 2	J10-3 / TB1-18	Sys 2 Liquid Line Solenoid Valve
Microboard / Relay Board 2	J10-4 / TB1-17/16	Chiller Run
Microboard / Relay Board 2	J10-5 / TB1-15	Sys 2 Condenser Fans Output 1
Microboard / Relay Board 2	J10-6 / TB1-14	Sys 2 Condenser Fans Output 2
Microboard / Relay Board 2	J8-1 / TB1-10	Sys 2 Condenser Fans Output 3
Microboard / Relay Board 2	J8-2 / TB1-9	Sys 2 Economizer TXV Solenoid
Microboard / Relay Board 2	J8-3 / TB1-8	Sys 2 Wye Delta Relay
Microboard / Relay Board 2	J8-4 / TB1-7	SPARE
Microboard / Relay Board 2	J8-5 / TB1-6/5	Evaporator Pump
Microboard / Relay Board 2	J8-6 / TB1-4/3	Sys 2 Alarm
I/O Expansion	J13-1	Sys 1 EEV Heat Motor
I/O Expansion	J13-2	Sys 2 EEV Heat Motor

ANALOG INPUTS

Not all of the sensors are installed in every unit as some of them are optional. However, the software must still be able to read the sensors if the optional ones are installed. Table 9 lists all of the analog inputs and whether they are on the Microboard or the I/O Expansion Board.

TABLE 9 - ANALOG INPUTS

Microboard	J11-7	Leaving Chilled Liquid Temp Sensor
Microboard	J11-8	Return Chilled Liquid Temp Sensor
Microboard	J11-9	Ambient Air Temp Sensor
Microboard	J12-1	SPARE
Microboard	J12-3	SPARE
Microboard	J13-7	Sys 1 Suction Pressure Transducer
Microboard	J13-8	Sys 1 Oil Pressure Transducer
Microboard	J14-7	Sys 2 Suction Pressure Transducer
Microboard	J14-8	Sys 2 Oil Pressure Transducer
Microboard	J15-7	Sys 2 Discharge Pressure Transducer
Microboard	J15-8	Sys 1 Discharge Pressure Transducer
Microboard	J16-4	Sys 2 Suction Temp Sensor
Microboard	J16-6	Sys 1 Suction Temp Sensor
Microboard	J17-9	Input from I/O Expansion Board
Microboard	J17-10	SPARE
Microboard	J17-11	Mixed Chilled Liquid Temp Sensor (optional) Hot Leaving Temp Sensor (Heat Recovery only)
I/O Expansion	J4-4	Sys 1 Motor Current
I/O Expansion	J4-5	SPARE
I/O Expansion	J4-8	SPARE
I/O Expansion	J4-10	Sys 2 Motor Current
I/O Expansion	J4-11	SPARE
I/O Expansion	J4-12	SPARE
I/O Expansion	J5-6	SPARE
I/O Expansion	J5-7	SPARE
I/O Expansion	J6-2	SPARE Sys 1 Fan Pressure Transducer (Heat Recovery only)
I/O Expansion	J7-2	Sys 2 Evaporator Inlet Refrigerant Temp Sensor (R-407c only)
I/O Expansion	J8-4	Sys 1 Discharge Temp Sensor
I/O Expansion	J8-6	Sys 2 Discharge Temp Sensor
I/O Expansion	J9-2	SPARE Sys 2 Fan Pressure Transducer (Heat Recovery only)
I/O Expansion	J10-6	Sys 2 Oil Temp Sensor
I/O Expansion	J10-7	Sys 1 Oil Temp Sensor
I/O Expansion	J11-2	Sys 1 Evaporator Inlet Refrigeration Temp Sensor (R-407c only)

DIGITAL INPUTS

Table 10 lists all of the digital inputs and whether they are on the Microboard or the I/O Expansion Board.

TABLE 10 - DIGITAL INPUTS

Microboard	J4-1	Unit Switch
Microboard	J4-2	PWM Current Limit
Microboard	J4-3	SPARE Flow Switch (Euro CAT only)
Microboard	J4-4	PWM Temp Reset
Microboard	J4-5	Sys 1 Run Perm Sys 1 Sys Switch (Euro CAT only)
Microboard	J4-6	Print
Microboard	J4-7	Sys 2 Run Perm Sys 2 Sys Switch (Euro CAT only)
Microboard	J4-8	SPARE Hot Flow Switch (Heat Recovery only)

ANALOG OUTPUTS

Table 11 lists all the analog outputs and what output board they are on.

TABLE 11 - ANALOG OUTPUTS

I/O Expansion	J2-1	Sys 1 Slide Valve
I/O Expansion	J12-1	Sys 2 Slide Valve

8.12 ISN CONTROL

RECEIVED DATA (CONTROL DATA)

The microprocessor receives 8 data values from the ISN. The first 4 are analog values and the last 4 are digital values. These 8 data values are used as control parameters when in REMOTE mode. When the unit is in LOCAL mode, these 8 values are ignored. If the unit receives no valid ISN transmission for 5 minutes it will revert back to all local control values. Table 12 lists the 4 control parameters. These values are found under feature 54 on the ISN.

TRANSMITTED DATA

After receiving a valid transmission from the ISN, the unit will transmit either operational data or history buffer data depending on the “History Buffer Request” on ISN PAGE 06. Data must be transmitted for every ISN page under feature 54. If there is no value to be sent to a particular page, a zero will be sent. Tables 13 and 14 show the data values and page listings for this unit.

TABLE 12 – ISN RECEIVED DATA

ISN PAGE	CONTROL DATA
P03	SETPPOINT
P04	ISN Current Limit
P05	—
P06	—
P07	START/STOP COMMAND (0 = STOP, 1 = RUN)
P08	—
P09	—
P10	HISTORY BUFFER REQUEST (0 = CURRENT DATA, 1 = LAST HISTORY DATA)

TABLE 13 – ISN TRANSMITTED DATA

ISN Page	Character	Type	DXST Chiller Data
P11	8-11	Analog	Leaving Chilled Liquid Temp
P12	12-15	A	Return Chilled Liquid Temp
P13	16-19	A	Mixed Chilled Liquid Temp (optional) - YCAS Leaving Hot Liquid Temp - YCWS Hot Liquid Temp - Heat Recovery
P14	20-23	A	Sys 1 Suction Temperature
P15	24-27	A	Sys 1 Discharge Temperature
P16	28-31	A	Ambient Air Temperature
P17	32-35	A	Sys 1 Oil Temperature
P18	36-39	A	Sys 1 Oil Pressure
P19	40-43	A	Sys 1 Suction Pressure
P20	44-47	A	Sys 1 Discharge Pressure
P21	48-51	A	Sys 1 % Full Load Amps
P22	52-55	A	Sys 1 Total Run Hours
P23	56-59	A	Sys 1 Total Number of Stats
P24	60-63	A	Sys 1 Anti-Recycle Timer
P25	64-67	A	Anti-Coincident Timer
P26	68-71	A	Sys 2 Oil Temperature

TABLE 13 – ISN TRANSMITTED DATA (CONT'D)

ISN Page	Character	Type	DXST Chiller Data
P27	72-75	A	Sys 2 Oil Pressure
P28	76-79	A	Sys 2 Suction Pressure
P29	80-83	A	Sys 2 Discharge Pressure
P30	84-87	A	Sys 2 % Full Load Amps
P31	88-91	A	Sys 2 Total Run Hours
P32	92-95	A	Sys 2 Total Number of Starts
P33	96-99	A	Sys 2 Anti-Recycle Timer
P34	100-103	A	Sys 1 Evaporator Inlet Refrigerant Temp (R-407c only)
P35	104-107	A	Sys 2 Evaporator Inlet Refrigerant Temp (R-407c only)
P36	108	Diital	Chiller Run
P37	109	D	Chiller Alarm
P38	110	D	Evaporator Heater Status (YCAS)
P39	111	D	Evaporator Pump Status
P40	112	D	Hot Liquid Flow Switch (Heat Recovery)
P41	113	D	Sys 1 Spare Sys 1 Discharge Cooling Solenoid Status (Euro CAT, Low Temp)
P42	114	D	Sys 1 Liquid Line Solenoid Valve Status
P43	115	D	Sys 1 Economizer TXV Solenoid Status (YCAS) Sys 1 Oil Cooling Solenoid Status (YCWS) Sys 1 Condenser Solenoid Status (EURO CAT) Sys 1 Heat Recovery Solenoid Status (Heat Recovery)
P44	116	D	Sys 1 Wye-Delta
P45	117	D	Sys 2 Spare Sys 2 Discharge Cooling Solenoid Status (Euro CAT, Low Temp)
P46	118	D	Sys 2 Liquid Line Solenoid Valve Status
P47	119	D	Sys 2 Economizer TXV Solenoid Status (YCAS) Sys 2 Oil Cooling Solenoid Status (YCWS) Sys 2 Condenser Solenoid Status (Euro CAT) Sys 2 Heat Recovery Solenoid Status (Heat Recovery)
P48	120	D	Sys 2 Wye-Delta Relay
P49	121	D	—
P50	122	D	S1-1 Cooling Type: 0=Water, 1=Glycol
P51	123	D	S1-2 Ambient Ctrl: 0=Standard, 1=Low Ambient
P52	124	D	S1-3 Refrigerant Type: 0=R407c, 1=R-22
P53	125	D	S1-4 Unit Type: 0=YCWS, 1=YCAS
P54	126	D	S1-5 Motor Current Averaging: 0=Disabled, 1=Enabled
P55	127	D	S1-6 Heat recovery: 0=Disabled, 1=Enabled
P56	128	Coded	*Sys 1 Operational Code
P57	129	C	*Sys 1 Fault Code
P58	130	C	*Sys 2 Operatioanal Code
P59	131	C	*Sys 2 Fault Code
P60	132	C	Sys 1 Slide Valve Step
P61	133	C	Sys 1 Condenser Fan Stages Running (0-6)
P62	134	C	Sys 2 Slide Valve Step
P63	135	C	Sys 2 Condenser Fan Stages Running (0-6)
P64	136	C	Lead Compressor Number
P65	137	C	Debug Code

TABLE 13 – ISN TRANSMITTED DATA (CONT'D)

ISN Page	Character	Type	DXST Chiller Data
P66	138-141	Analog	Leaving Chilled Liquid Setpoint
P67	142-145	A	Low Leaving Chilled Liquid Temp Cutout
P68	146-149	A	Sys 1 EEV Output %
P69	150-153	A	Sys 2 EEV Output %
P70	154-157	A	Low Suction Pressure Cutout
P71	158-161	A	High Discharge Pressure Cutout
P72	162-165	A	Remote Leaving Chilled Liquid Setpoint
P73	166-169	A	Sys 1 Suction Superheat
P74	170-173	A	Cooling Range
P75	174-177	A	Sys 1 Discharge Superheat
P76	178-181	A	Sys 2 Suction Temperature
P77	182-185	A	Sys 2 Discharge Temperature
P78	186-189	A	Sys 2 Suction Superheat
P79	190-193	A	Sys 2 Discharge Superheat
P80	194	Digital	S1-7 Expansion Valve Type: 0=TXV, 1=EEV
P81	195	D	S1-8 SPARE
P82	196	D	—
P83	197	D	—
P84	198	D	—

TABLE 14 – ISN OPERATIONAL AND FAULT CODES

P56/58	C1 Operational Code	P57/59	C1 Fault Code
0	No Abnormal Condition	0	No Fault
1	Unit Switch Off	1	VAC Under Voltage
2	System Switch Off	2	Low Ambient Temperature
3	Lock - Out	3	High Ambient Temperature
4	Unit Fault	4	Low Leaving Chilled Liquid Temp
5	System Fault	5	High Discharge Pressure
6	Remote Shutdown	6	High Differential Oil Pressure
7	Daily Schedule Shutdown	7	Low Suction Pressure
8	No Run Permissive Flow Switch Open (Euro CAT)	8	High Motor Current
9	No Cool Load	9	LLSV Not On
10	Anti-Coincidence Timer Active	10	Low Battery Warning
11	Anti-Recycle Timer Active	11	High Oil Temperature
12	Manual Override	12	High Discharge Temperature
13	Suction Limiting	13	Improper Phase Rotation
14	Discharge Limiting	14	Low Motor Current / MP / HPCO
15	Current Limiting	15	Motor Current Unbalanced
16	Load Limiting	16	Low Differential Oil Pressure
17	Compressor Running	17	Ground Fault
		18	MP / HPCO
		19	Low Evaporator Temperature
		20	Incorrect Refrigerant Programmed
		21	Power Failure, Manual reset Required
		22	I/O Board Failure
		23	Low Superheat
		24	Sensor Fault
		25	Reprogram Unit Type
		26	MP / HPCO Inhibit
		27	Heat Recovery Select

* The operational and fault codes are defined in table 14. Note that this table of fault and operational codes is for all DX products. The codes that are grayed out are not used on this unit.

This page intentionally left blank.

MAINTENANCE

GENERAL REQUIREMENTS

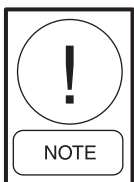
The units have been designed to operate continuously, provided they are regularly maintained and operated within the limitations given in this manual. Each unit should be included in a routine schedule of daily maintenance checks by the operator/customer, backed up by regular service inspection and maintenance visits by a suitably qualified Service Engineer.

It is the responsibility of the owner to provide maintenance on the system.

It is entirely the responsibility of the owner to provide for these regular maintenance requirements and/or enter into a maintenance agreement with a York International service organization to protect the operation of the unit. If damage or a system failure occurs due to improper maintenance during the warranty period, YORK shall not be liable for costs incurred to return the unit to satisfactory condition.



If system failure occurs due to improper maintenance during the warranty period, YORK will not be liable for costs incurred to return the system to satisfactory operation. The following is intended only as a guide and covers only the chiller unit components. It does not cover other related system components which may or may not be furnished by YORK. System components should be maintained according to the individual manufacturer's recommendations as their operation will affect the operation of the chiller.



This maintenance section applies to the basic unit only and may, on individual contracts, be supplemented by additional requirements to cover any modifications or ancillary equipment as applicable.



The Safety Section of this manual should be read carefully before attempting any maintenance operations on the unit.

Daily/Weekly Maintenance

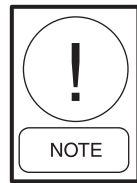
The following maintenance checks should be carried out on a daily/weekly basis by the operator/customer. Please note that the units are not generally user serviceable and no attempt should be made to rectify faults or problems found during daily checks unless competent and equipped to do so. If in any doubt, contact your local YORK Service Agent.

Unit Status: Press the 'STATUS' key on the keypad and ensure no fault messages are displayed (refer to the MBCS Manual for explanation of messages and the Trouble Shooting section for courses of action).

Refrigerant Leaks: Visually check the heat exchangers, compressors and pipework for damage and gas leaks.

CONDENSER COILS

Dirt and foreign material should not be allowed to accumulate on the condenser coil surfaces. Cleaning should be as often as necessary to keep coil clean.



Exercise care when cleaning the coil so that the coil fins are not damaged.

Operating conditions: Read the operating pressures and temperatures at the control panel using the display keys and check that these are within the operating limitations in this Manual.

Compressor oil level: Check the compressor oil level after the compressor has been operating on 'FULL LOAD' for approximately half an hour. The oil level should be visible in the upper of the two sight glasses. When the compressor is operating at 'PART LOAD', the level may fall as far as half way down the lower sight glass but should not fall below this level. When the compressor returns to full load the level will return to the upper sight glass. If oil is added, be aware it is

"L" Type POE oil. Always add oil from a new unopened container. Dispose of the remaining oil using environmentally friendly procedures.

Refrigerant charge: When a system starts up, or sometimes after a change of capacity, a flow of bubbles will be seen in the liquid line sight glass. After a few minutes of stable operation, the bubbles should clear, leaving just liquid refrigerant showing in the sight glass.

Chiller / Compressor Operating Log

A Chiller/Compressor Operating Log is supplied on the following page for logging compressor and chiller operating data.

Regular checks of the system should be performed to ensure that operating temperatures and pressures are within limitations, and that the operating controls are set within proper limits. Refer to the Operation, Start-Up, and Installation sections of this manual.

Scheduled Maintenance

The maintenance operations detailed in the table following the Operating Log Form should be carried out on a regular basis by a suitably qualified Service Engineer. It should be noted that the interval necessary between each 'minor' and 'major' service can vary depending on, for instance, application, site conditions and expected operating schedule. Normally a 'minor' service should be carried out every three to six months and a 'major' service once a year. It is recommended that your local YORK Service Center is contacted for recommendations for individual sites.

ON-BOARD BATTERY BACK-UP

U17 is the Real Time Clock chip that maintains the date/time and stores customer programmed setpoints. Anytime the chiller is to be off (no power to the microboard) for an extended time (weeks/months), the clock should be turned off to conserve power of the on-board battery. To accomplish this, the J11 jumper on the microboard must be moved to the "CLKOFF" position while power is still supplied to the microboard.



The unit evaporator heater is 120VAC. Disconnecting 120VAC power from the unit, at or below freezing temperatures, can result in damage to the evaporator and unit as a result of the chilled liquid freezing.

OVERALL UNIT INSPECTION

In addition to the checks listed on this page, periodic overall inspections of the unit should be accomplished to ensure proper equipment operation. Items such as loose hardware, component operation, refrigeration leaks, unusual noises, etc. should be investigated and corrected immediately.



COMPRESSOR UNIT OPERATION

YORK Order No. _____
 Compr. Ser. No. _____
 Unit Ser. No. _____
 Refrigerant _____

**CHILLER/COMPRESSOR
 Operating Log**



Date																					
Time		Hour Meter Reading	Equipment Room Temp./Outdoor Temp.																		
Compressor	Suction Pressure																				
	Suction Temperature																				
	Suction Superheat																				
	Discharge Pressure																				
	Actual Discharge Temperature																				
	Oil Pressure																				
	Oil Temperature																				
	FLA % (Motor -)																				
Oil Sep.	Oil Level (example <input type="radio"/> <input checked="" type="radio"/> <input type="radio"/>)																				
	Oil Added (gallons or liters)																				
Evap.	Inlet Temperature																				
	Outlet Temperature																				
	Pressure Drop																				
Air	Flow Rate - GPM or l/s																				
	Air On Temperature																				
	Air Off Temperature																				
Condenser	Inlet Temperature																				
	Outlet Temperature																				
	Pressure Drop																				
Flow Rate - GPM or l/s																					
Leaving Liquid Refrigerant Temperature																					
Remarks:																					

Note: Temperature and Pressure Units in °F and PSIG respectively unless otherwise noted.

Operating Log

YORK MAINTENANCE REQUIREMENTS FOR YORK YCAS SCREW CHILLERS

PROCEDURE	WEEKLY	QUARTERLY	SEMI-ANNUALLY	YEARLY	EVERY * HOURS
Check oil level in oil separator sight glass	X				
Check liquid line sight glass / moisture indicator	X				
Record system operating pressures and temperatures	X				
Check programmable operating setpoints and safety cutouts and assure they are correct for particular application.		X			
Check condenser coils for dirt/debris and clean if necessary	X				
Check compressor superheat on evaporator and economizer TXV's; Check condenser and economizer subcooling ¹			X		
Check compressor and evaporator heaters for operation		X			
Sample compressor oil and replace oil if necessary ¹				X	
Leak check the chiller ¹				X	
Disconnect power source and lock out; Check tightness of power wiring connections ¹				X	

* Reserved for customer use for any special site determined requirements.

¹ This procedure must be performed at the specified time interval by an Industry Certified Technician who has been trained and qualified to work on this type of YORK equipment. A record of this procedure being successfully carried out must be maintained on file by the equipment owner should proof of adequate maintenance be required at a later date for warranty validation purposes.

GENERAL PERIODIC MAINTENANCE CHECKS STANDARD UNITS

SERVICE SCHEDULE	MINOR SERVICE	MAJOR SERVICE All items under Minor Service plus:
Unit general:	Check thermal insulation. Check vibration isolators.	Check main structure. Check paint-work.
Refrigerant systems general:	Check relief valves. Check fusible plugs. Check for pipework damage. Check for leaks. Check moisture indicator. Check suction superheat. Check economizer superheat. Check liquid subcooling.	Check solenoid valves.
Compressors / Oil separator:	Check oil level. Check oil pressure. Check slide valve operation. Check compressor heater. Check condition of oil. Check discharge superheat.	
Evaporator	Check water flow. Check water pressure drop. Check heater.	Check water pH / glycol strength.
Air cooled condensers:	Check for airflow obstructions. Check fins. Check fans and fan guards.	Brush fins. Clean with mild, low pH cleaner. Check fan motor bearings.
Power & Control system general:	Check panel condition. Check mains and control wiring. Check sensor location. Check mechanical HP cutouts. Check emergency stop. Check overload devices.	Check all connections. Check compressor contactors. Check fan contactors / overloads. Check sensor / transducer calibration. Check motor protectors.
Microprocessor controls:	Check fault history. Check program settings. Check HP / LP cutout functions Check pump-down function. Check load / unload function.	Check fan control function. Check ambient cut-out function.

SPARE PARTS

Recommended Spares

It is recommended that the following common spare parts are held for preventative of corrective maintenance operations.

Description	Part Number
Pressure Transducer 200PSI (14 Bar)	025-29583-000
Pressure Transducer 400PSI (28 Bar)	025-29139-001
Sensor, High Temperature	025-30440-000
Sensor, Ambient Temperature	025-28663-001
Sensor, Water Temperature	025-29964-000
Sensor, Water Temperature	025-29964-000
Oil Filter	026-35601-000
O-Ring	028-13849-000

Other spare parts vary depending on the unit model. Review the chiller Renewal Parts Manual or Contact your local YORK Sales and Service Center for information (Please quote the unit model number and serial number).

When ordering spare parts, we will require the following information to ensure the correct parts are supplied:

Full unit model number, serial number, application and details of the parts required.

All requests for parts should be made to your local YORK Sales and Service Center.

Recommended Compressor Oils

The correct type of oil must be used in the unit as shown on the unit data plate and labels. Standard units use the following oils:

REFRIGERANT	COMPRESSOR OIL
R-22 and R407C	YORK Type L (5 Gal: 011-00592-000)



The oil utilized is a POE oil. Once a container is opened, it quickly absorbs moisture. Any unused oil should be disposed of using environmentally friendly procedures.

**For Parts, Service, or Sales,
Call Toll Free:**

**1-866-YORK SRV
(1-866-9675-778)**

TROUBLESHOOTING GUIDE

PROBLEM	POSSIBLE CAUSE	ACTION
No display on panel - unit will not start	Main supply to control system OFF.	Switch on main supply if safe to do so.
	Emergency stop device off.	Check if control panel emergency stop switch and any remote emergency stop devices are in the OFF position. Turn to ON position (1) if safe to do so.
	CB3 tripped.	Check CB3.
	No supply to - T2.	Check 115VAC to L & 2.
	No 24VAC supply to power board.	Check wiring from - T2 to powerboard and fuse.
	No +12V output from powerboard.	Replace powerboard or isolate excessive load on the board.
NO RUN PERM displayed (No run permissive)	No liquid flow through the evaporator.	Ensure that liquid pumps are running. Valves are correctly set and flow is established.
	Flow switch or cycling contacts are not made.	Check that the flow switch is functional and is installed according to the manufacturer's instructions. Check cycling contacts.
SYS # HIGH OIL TEMP	Poor airflow through the condenser coils.	Check for airflow restrictions caused by blockages on intake faces of air coils.
	Measured temperature incorrect.	Check oil temp sensor and wiring.
Chiller FAULT: LOW AMBIENT TEMP displayed	Ambient air temperature is lower than the programmed operating limit.	Use the 'ambient temp.' key to display the temperature and confirm that the displayed value is approximately correct. The warning message should clear when the ambient air temperature rises above the programmed operating limit.
		Check the programmed settings are correct for the options fitted to the unit.
	Measured temperature is incorrect.	Check ambient sensor and wiring.
Chiller FAULT: HIGH AMBIENT TEMP displayed	Ambient air temperature is higher than the programmed operating limit.	Use the 'ambient temp.' key to display the temperature and confirm that the displayed value is approximately correct. The warning message should clear when the ambient air temperature falls below the programmed operating limit.
		Check that the programmed settings are correct for the options fitted to the unit.
	Recirculated air is affecting the sensor.	Check fans are operating correctly and the rotation is correct. Check for airflow recirculation.
	Measured temperature is incorrect.	Check ambient sensor and wiring.
Chiller FAULT: LOW WATER TEMP displayed	Leaving liquid drops below the programmed low limit faster than the unit can unload.	Check for restrictions in the liquid flow line. Check that the liquid flow is stable.
	Unit is not unloading.	Check the voltage to the unloader valve solenoid. Check that the compressor unloads correctly.
	Measured temperature is incorrect.	Check water temp sensor and wiring.
Chiller FAULT: VAC UNDERVOLTAGE displayed.	Poor main supply voltage.	Check main supply is stable and within allowable limits. Check for voltage dip on compressor start.

TROUBLESHOOTING GUIDE - CONT'D

PROBLEM	POSSIBLE	ACTION
SYS # HIGH DSCH displayed (High discharge pressure trip)	Poor airflow through condenser coils.	Check for airflow restrictions caused by blockages on intake faces of air coils. Check for damaged fins/return bends. Check for correct fan operation and direction of rotation. Check for non-condensables (air) in system.
	Excessive refrigerant charge.	Check that the sub-cooling is correct.
	Measured pressure is incorrect.	Check discharge transducer and wiring.
SYS # HIGH DSCH TEMP displayed (High discharge temperature)	Suction superheat too high.	Check suction superheat is within range.
	Poor airflow through the condenser coils.	Check for airflow restrictions caused by blockages on intake faces of air coils.
	Measured temperature incorrect.	Check discharge sensor calibration, location and wiring.
SYS # DSCH LIMITING displayed (Discharge pressure unloading)	Discharge pressure unloading due to unit operating above load limit. See also SYS # HIGH DSCH.	Check chilled liquid temperature is within range. Check fan operation. Check if ambient air temperature is above design conditions. Check programmed unload point.
SYS # HIGH OIL PRESS DIFF is displayed. (High oil differential pressure.)	Ball valve in oil circuit closed.	Check ball valves are open position.
	Dirty / blocked oil filter.	Check and change oil filter cartridge.
SYS # LOW SUCTION displayed	Badly adjusted or faulty expansion valve.	Check superheat.
	Reduced evaporator performance.	Check for restricted chilled liquid flow. Check for fouled tube surfaces. Check superheat.
	Low refrigerant charge.	Check subcooling is correct. Check for leaks.
	Restricted refrigerant flow.	Check for blocked filter / drier. Check LLSV is opening correctly.
	Measured pressure incorrect.	Check suction pressure transducer and wiring.
SYS # LOW CURR/MP/HP displayed	Compressor current too low.	Check the compressor main supply voltage, fuses, contactors and wiring. Check main supply voltage is within tolerance. Check 2ACE MP fault code.
	Measured current is incorrect.	Check for defective Motor Protector Module.
	Compressor motor protector signal failure.	Check motor protector and wiring.
	Mechanical high pressure cut-out trip.	Check compressor discharge valve is open. Check cut-out and wiring.
	No motor cooling.	Check superheat. Check operation of economizer, TXV, and liquid solenoid valve.
SYS # CURR LIMITING displayed (Compressor current unloading.)	High compressor motor current has activated unloading.	Check if liquid temperature is within operating limits. Check if ambient air temperature is above operating limits.

LIMITED WARRANTY YORK AMERICAS ENGINEERED SYSTEMS

WARRANTY ON NEW EQUIPMENT

York International Corporation (“YORK”) warrants all equipment and associated factory supplied materials, or start-up services performed by YORK in connection therewith, against defects in workmanship and material for a period of eighteen (18) months from date of shipment. Subject to the exclusions listed below, YORK, at its option, will repair or replace, FOB point of shipment, such YORK products or components as it finds defective.

Exclusions: Unless specifically agreed to in the contract documents, this warranty does not include the following costs and expenses:

1. Labor to remove or reinstall any equipment, materials, or components.
2. Shipping, handling, or transportation charges.
3. Cost of refrigerants.

No warranty repairs or replacements will be made until payment for all equipment, materials, or components has been received by YORK.

WARRANTY ON RECONDITIONED OR REPLACEMENT MATERIALS

Except for reciprocating compressors, which YORK warrants for a period of one year from date of shipment, YORK warrants reconditioned or replacement materials, or start-up services performed by YORK in connection therewith, against defects in workmanship or material for a period of ninety (90) days from date of shipment. Subject to the exclusions listed below, YORK, at its option, will repair or replace, FOB point of shipment, such materials or parts as YORK finds defective. However, where reconditioned or replacement materials or parts are placed on equipment still under the original new equipment warranty, then such reconditioned or replacement parts are warranted only until the expiration of such original new equipment warranty.

Exclusions: Unless specifically agreed to in the contract documents, this warranty does not include the following costs and expenses:

1. Labor to remove or reinstall any equipment, materials, or components.
2. Shipping, handling, or transportation charges.
3. Cost of refrigerant.

No warranty repairs or replacements will be made until payment for all equipment, materials, or components has been received by YORK.

ALL WARRANTIES AND GUARANTEES ARE VOID IF:

1. Equipment is used with refrigerants, oil, or antifreeze agents other than those authorized by YORK.
2. Equipment is used with any material or any equipment such as evaporators, tubing, other low side equipment, or refrigerant controls not approved by YORK.
3. Equipment has been damaged by freezing because it is not properly protected during cold weather, or damaged by fire or any other conditions not ordinarily encountered.
4. Equipment is not installed, operated, maintained and serviced in accordance with instructions issued by YORK.
5. Equipment is damaged due to dirt, air, moisture, or other foreign matter entering the refrigerant system.
6. Equipment is not properly stored, protected or inspected by the customer during the period from date of shipment to date of initial start.
7. Equipment is damaged due to acts of God, abuse, neglect, sabotage, or acts of terrorism.

THIS WARRANTY IS IN LIEU OF ALL OTHER WARRANTIES AND LIABILITIES, EXPRESS OR IMPLIED IN LAW OR IN FACT, INCLUDING THE WARRANTIES OF MERCHANTABILITY AND FITNESS FOR A PARTICULAR PURPOSE. THE WARRANTIES CONTAINED HEREIN SET FORTH BUYER'S SOLE AND EXCLUSIVE REMEDY IN THE EVENT OF A DEFECT IN WORKMANSHIP OR MATERIALS. IN NO EVENT SHALL YORK'S LIABILITY FOR DIRECT OR COMPENSATORY DAMAGES EXCEED THE PAYMENTS RECEIVED BY YORK FROM BUYER FOR THE MATERIALS OR EQUIPMENT INVOLVED. NOR SHALL YORK BE LIABLE FOR ANY SPECIAL, INCIDENTAL, OR CONSEQUENTIAL DAMAGES. THESE LIMITATIONS ON LIABILITY AND DAMAGES SHALL APPLY UNDER ALL THEORIES OF LIABILITY OR CAUSES OF ACTION, INCLUDING, BUT NOT LIMITED TO, CONTRACT, WARRANTY, TORT (INCLUDING NEGLIGENCE) OR STRICT LIABILITY. THE ABOVE LIMITATIONS SHALL INURE TO THE BENEFIT OF YORK'S SUPPLIERS AND SUBCONTRACTORS.

TEMPERATURE CONVERSION CHART

**Temperature Conversion Chart -
Actual Temperatures**

° F	=	° C	° C	=	° F
0	=	-17.8	-18	=	-0.4
4	=	-15.6	-16	=	3.2
8	=	-13.3	-14	=	6.8
12	=	-11.1	-12	=	10.4
16	=	-8.9	-10	=	14
20	=	-6.7	-8	=	17.6
24	=	-4.4	-6	=	21.2
28	=	-2.2	-4	=	24.8
32	=	0.0	-2	=	28.4
36	=	2.2	0	=	32
40	=	4.4	2	=	35.6
44	=	6.7	4	=	39.2
48	=	8.9	6	=	42.8
52	=	11.1	8	=	46.4
56	=	13.3	10	=	50
60	=	15.6	12	=	53.6
64	=	17.8	14	=	57.2
68	=	20.0	16	=	60.8
72	=	22.2	18	=	64.4
76	=	24.4	20	=	68
80	=	26.7	22	=	71.6
84	=	28.9	24	=	75.2
88	=	31.1	26	=	78.8
92	=	33.3	28	=	82.4
96	=	35.6	30	=	86
100	=	37.8	32	=	89.6
104	=	40.0	34	=	93.2
108	=	42.2	36	=	96.8
112	=	44.4	38	=	100.4
116	=	46.7	40	=	104
120	=	48.9	42	=	107.6
124	=	51.1	44	=	111.2
128	=	53.3	46	=	114.8
132	=	55.6	48	=	118.4
136	=	57.8	50	=	122
140	=	60.0	52	=	125.6
144	=	62.2	54	=	129.2
148	=	64.4	56	=	132.8
152	=	66.7	58	=	136.4
156	=	68.9	60	=	140
160	=	71.1	62	=	143.6
164	=	73.3	64	=	147.2
168	=	75.6	66	=	150.8
172	=	77.8	68	=	154.4
176	=	80.0	70	=	158
180	=	82.2	72	=	161.6
184	=	84.4	74	=	165.2
188	=	86.7	76	=	168.8
192	=	88.9	78	=	172.4
196	=	91.1	80	=	176
200	=	93.3	82	=	179.6
204	=	95.6	84	=	183.2
208	=	97.8	86	=	186.8
212	=	100.0	88	=	190.4
216	=	102.2	90	=	194
220	=	104.4	92	=	197.6
224	=	106.7	94	=	201.2
228	=	108.9	96	=	204.8
232	=	111.1	98	=	208.4
236	=	113.3	100	=	212
240	=	115.6	102	=	215.6
244	=	117.8	104	=	219.2

**Temperature Conversion Chart -
Differential Temperatures**

° F	=	° C	° C	=	° F
0	=	0	0	=	0
4	=	2.2	2	=	3.6
8	=	4.4	4	=	7.2
12	=	6.7	6	=	10.8
16	=	8.9	8	=	14.4
20	=	11.1	10	=	18
24	=	13.3	12	=	21.6
28	=	15.6	14	=	25.2
32	=	17.8	16	=	28.8
36	=	20	18	=	32.4
40	=	22.2	20	=	36
44	=	24.4	22	=	39.6
48	=	26.7	24	=	43.2
52	=	28.9	26	=	46.8
56	=	31.1	28	=	50.4
60	=	33.3	30	=	54

**Pressure Conversion Chart -
Gauge or Differential**

PSI	=	BAR	BAR	=	PSI
20	=	1.38	1.5	=	21.8
30	=	2.07	2	=	29
40	=	2.76	2.5	=	36.3
50	=	3.45	3	=	43.5
60	=	4.14	3.5	=	50.8
70	=	4.83	4	=	58
80	=	5.52	4.5	=	65.3
90	=	6.21	5	=	72.5
100	=	6.9	5.5	=	79.8
110	=	7.59	6	=	87
120	=	8.28	6.5	=	94.3
130	=	8.97	7	=	101.5
140	=	9.66	7.5	=	108.8
150	=	10.34	8	=	116
160	=	11.03	8.5	=	123.3
170	=	11.72	9	=	130.5
180	=	12.41	9.5	=	137.8
190	=	13.1	10	=	145
200	=	13.79	10.5	=	152.3
210	=	14.48	11	=	159.5
220	=	15.17	11.5	=	166.8
230	=	15.86	12	=	174
240	=	16.55	12.5	=	181.3
250	=	17.24	13	=	188.5
260	=	17.93	13.5	=	195.8
270	=	18.62	14	=	203
280	=	19.31	14.5	=	210.3
290	=	20	15	=	217.5
300	=	20.69	15.5	=	224.8
310	=	21.38	16	=	232
320	=	22.07	16.5	=	239.3
330	=	22.76	17	=	246.5
340	=	23.45	17.5	=	253.8
350	=	24.14	18	=	261
360	=	24.83	18.5	=	268.3
370	=	25.52	19	=	275.5
380	=	26.21	19.5	=	282.8
390	=	26.9	20	=	290
400	=	27.59	20.5	=	297.3



P.O. Box 1592, York, Pennsylvania USA 17405-1592
Copyright © by York International Corporation 2004
Form 201.19-NM1 (204)
New Release

Tele. 800-861-1001
www.york.com

Subject to change without notice. Printed in USA
ALL RIGHTS RESERVED